

INDEX

MISC. MOSAIC DETAILS.

I - INDEX

E4- ACCESS PANEL

E4A- ACCESS PANEL

400- 2PC. OUTSIDE CORNER @ HORIZONTAL

401- 2PC. OUTSIDE CORNER @ VERTICAL

402- 2PC. INSIDE CORNER @ HORIZONTAL

403- 2PC INSIDE CORNER @ VERTICAL

404- OUTSIDE CORNER @ HORIZONTAL

405- OUTSIDE CORNER @ VERTICAL

406- INSIDE CORNER @ HORIZONTAL

407- INSIDE CORNER @ VERTICAL

408- COW TONGUE PENETRATION (1)

409- COW TONGUE PENETRATION (2)

410- MOSAIC ACCESS PANEL

411- MOSAIC ACCESS PANEL

412- MOSAIC ACCESS PANEL

413- MOSAIC ACCESS PANEL



2529 W. Jackson St.
Phoenix, AZ 85298

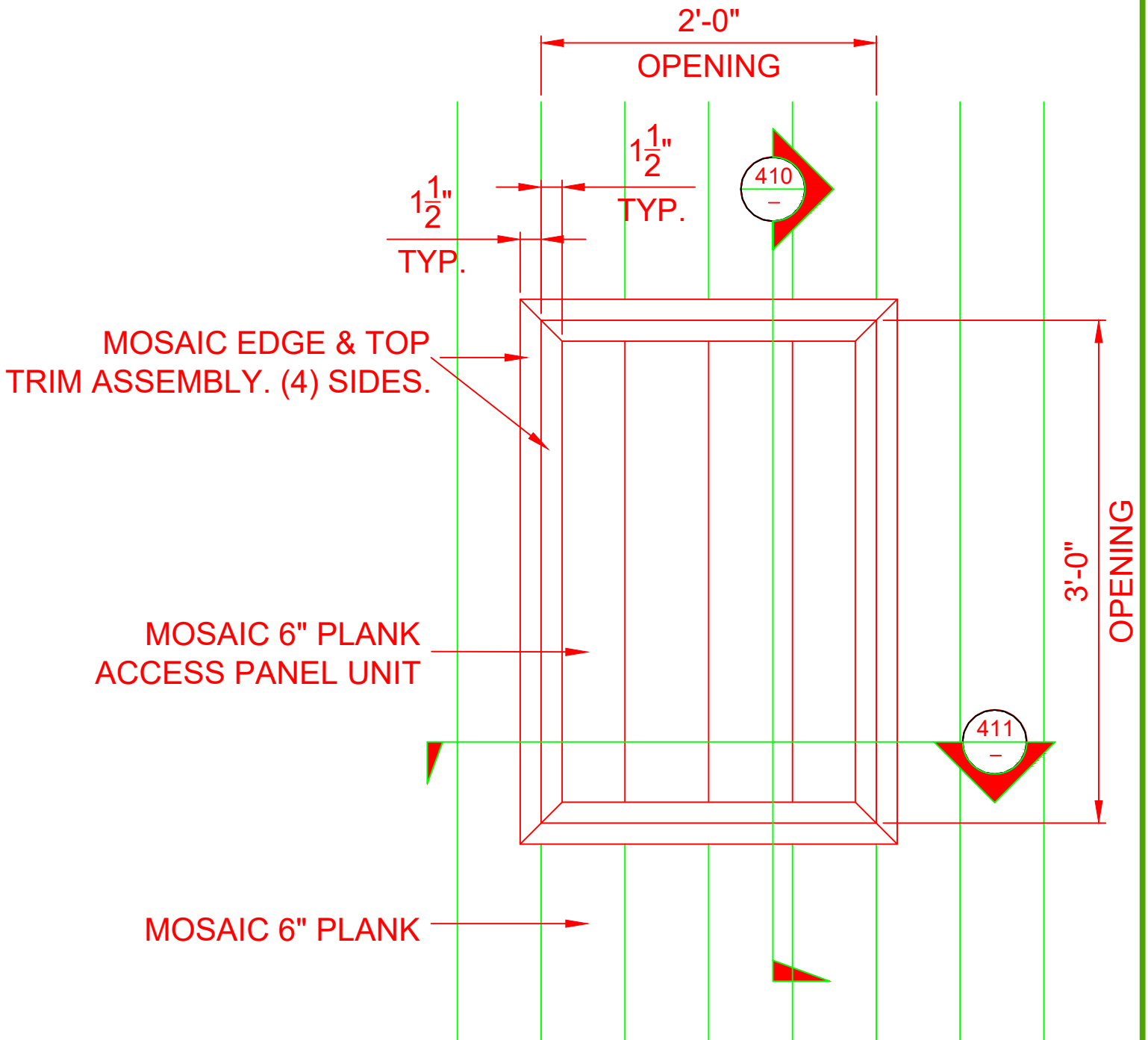
PHONE: (602) 275-1676
FAX: (602) 275-1739

MOSAIC DETAIL INDEX

SCALE: NTS

10/18/23

SYSTEM = MOSAIC



2529 W. Jackson St.
Phoenix, AZ 85298
PHONE: (602) 275-1676
FAX: (602) 275-1739

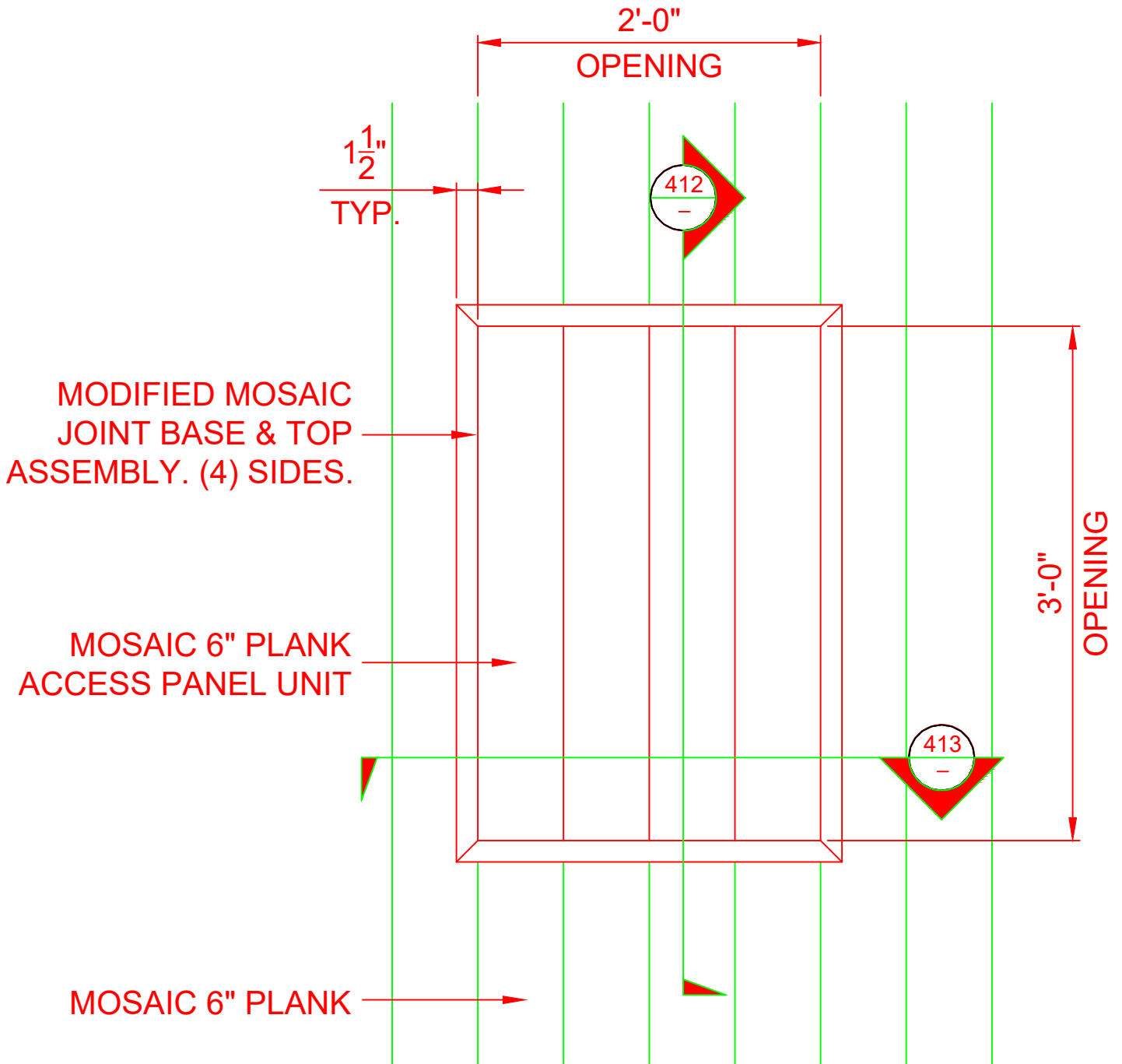
ACCESS PANEL

E4

SCALE: NTS

10/18/23

SYSTEM = MOSAIC



2529 W. Jackson St.
Phoenix, AZ 85298
PHONE: (602) 275-1676
FAX: (602) 275-1739

ACCESS PANEL

E4A

SCALE: NTS

10/18/23

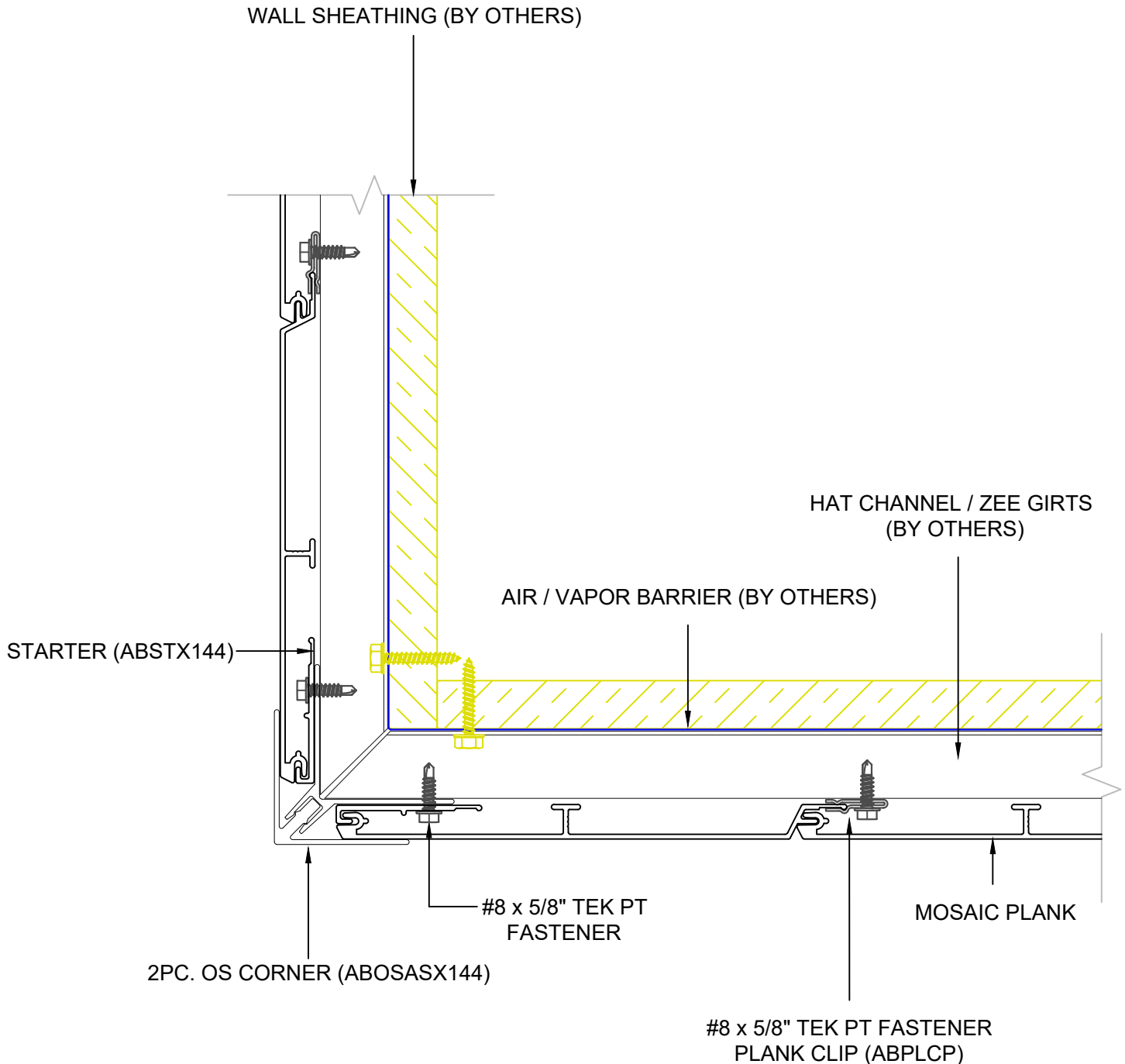
SYSTEM = MOSAIC

****ALL DETAILS SHOW MOSAIC ATTACHED TO HAT CHANNELS OVER SOLID SUBSTRATE****

****REFERENCE LOAD SPAN TABLES FOR ALL ATTACHMENT TYPES, ANCHOR TYPES, & ANCHOR SPACING****

INSTALLATION OPTIONS ARE:

- 1) OPEN FRAMING - WOOD OR METAL STUDS
- 2) WOOD SHEATHING
- 3) HAT CHANNEL OVER SHEATHING WITHOUT OR WITH A *VAPOR BARRIER (*RECOMMENDED FOR WALLS)



2529 W. Jackson St.
Phoenix, AZ 85298

PHONE: (602) 275-1676

FAX: (602) 275-1739

2PC. OUTSIDE CORNER @ HORIZ.

SCALE: NTS

10/25/23

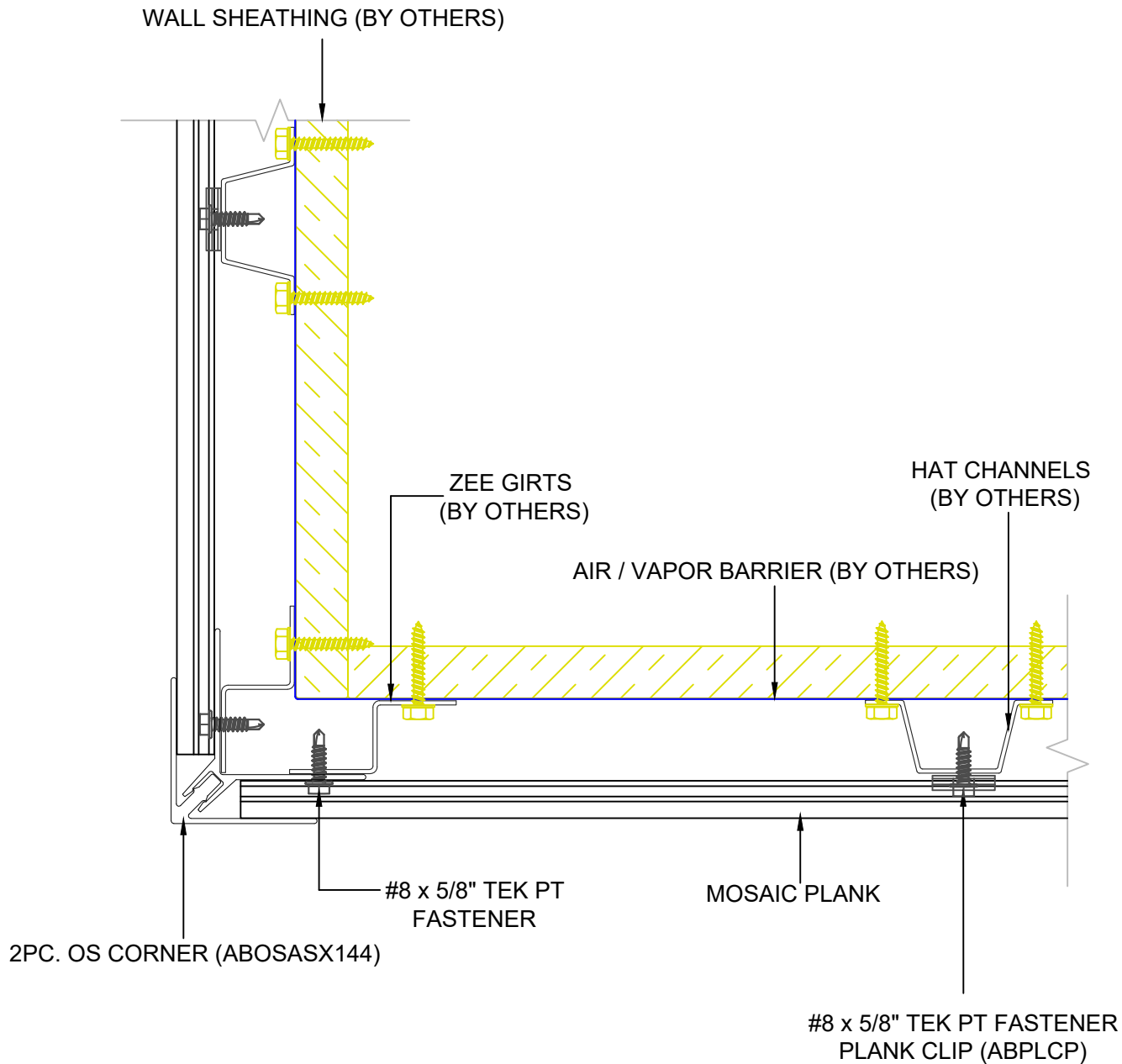
SYSTEM = MOSAIC

400

****ALL DETAILS SHOW MOSAIC ATTACHED TO HAT CHANNELS OVER SOLID SUBSTRATE****
****REFERENCE LOAD SPAN TABLES FOR ALL ATTACHMENT TYPES, ANCHOR TYPES, & ANCHOR SPACING****

INSTALLATION OPTIONS ARE:

- 1) OPEN FRAMING - WOOD OR METAL STUDS
- 2) WOOD SHEATHING
- 3) HAT CHANNEL OVER SHEATHING WITHOUT OR WITH A *VAPOR BARRIER (*RECOMMENDED FOR WALLS)



2529 W. Jackson St.
 Phoenix, AZ 85298
 PHONE: (602) 275-1676
 FAX: (602) 275-1739

2PC. OUTSIDE CORNER @ VERT

SCALE: NTS

10/25/23

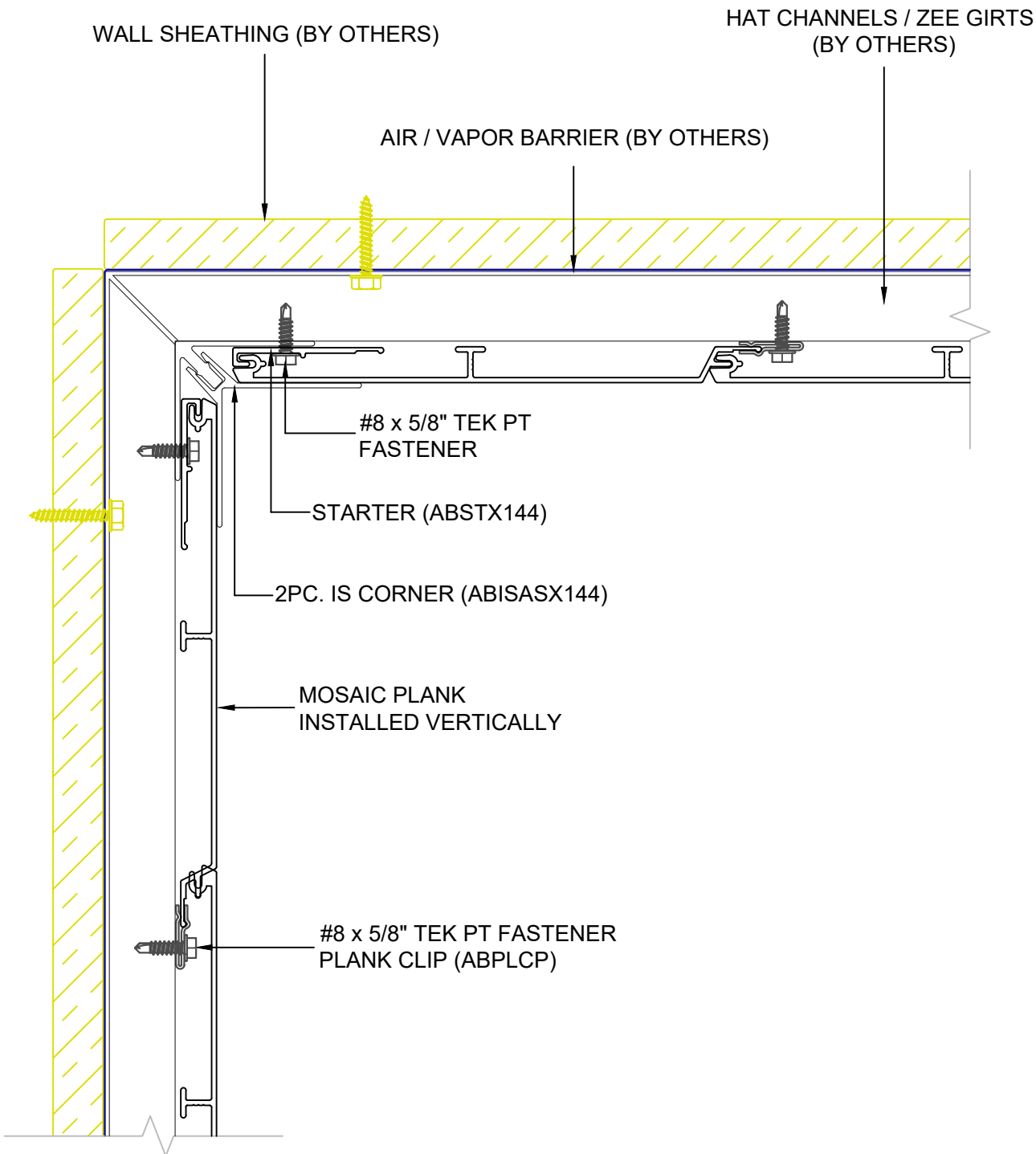
SYSTEM = MOSAIC

401

****ALL DETAILS SHOW MOSAIC ATTACHED TO HAT CHANNELS OVER SOLID SUBSTRATE****
****REFERENCE LOAD SPAN TABLES FOR ALL ATTACHMENT TYPES, ANCHOR TYPES, & ANCHOR SPACING****

INSTALLATION OPTIONS ARE:

- 1) OPEN FRAMING - WOOD OR METAL STUDS
- 2) WOOD SHEATHING
- 3) HAT CHANNEL OVER SHEATHING WITHOUT OR WITH A *VAPOR BARRIER (*RECOMMENDED FOR WALLS)



2529 W. Jackson St.
Phoenix, AZ 85298
PHONE: (602) 275-1676
FAX: (602) 275-1739

2PC. INSIDE CORNER @ HORIZ

402

SCALE: NTS

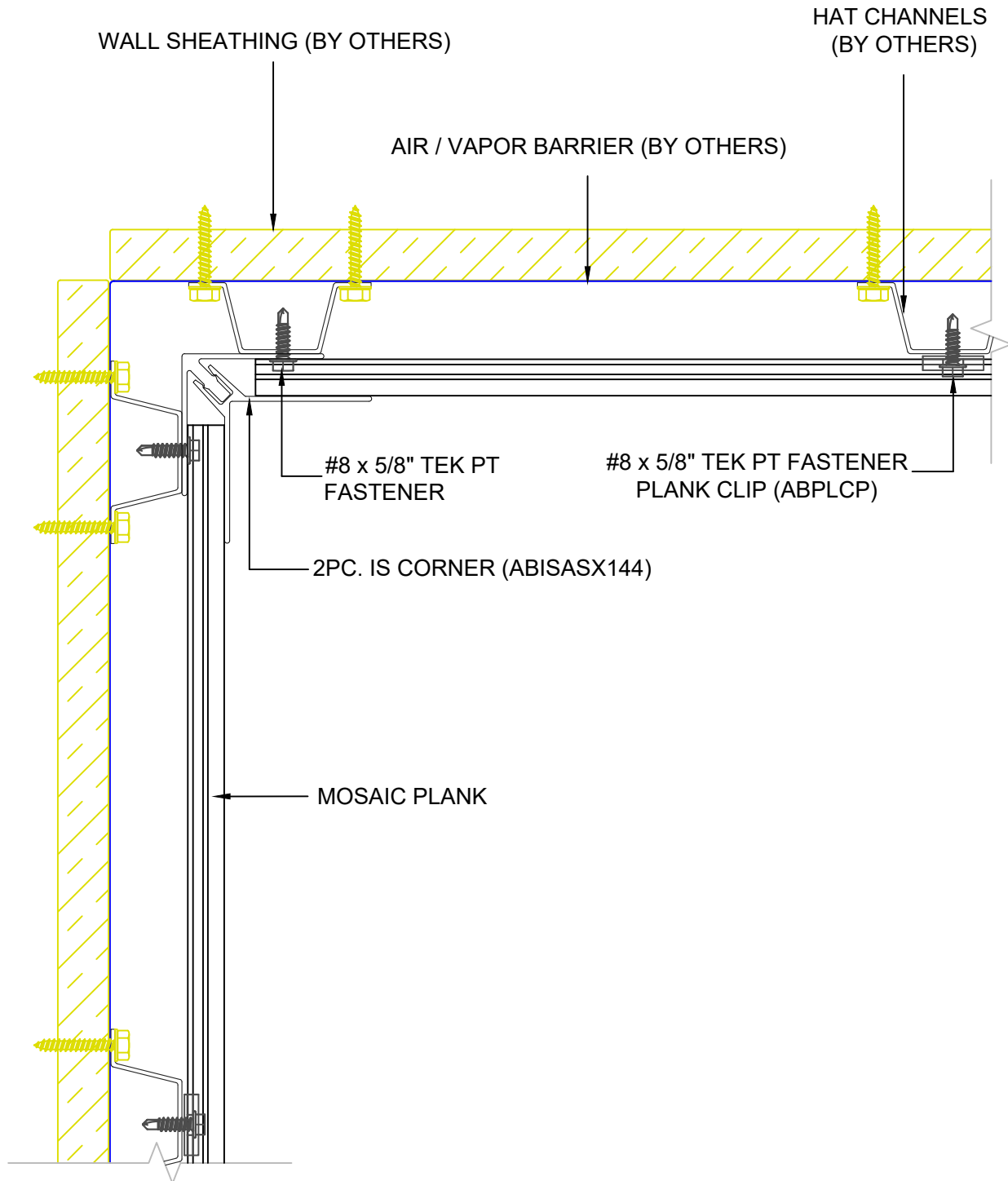
10/25/23

SYSTEM = MOSAIC

****ALL DETAILS SHOW MOSAIC ATTACHED TO HAT CHANNELS OVER SOLID SUBSTRATE****
****REFERENCE LOAD SPAN TABLES FOR ALL ATTACHMENT TYPES, ANCHOR TYPES, & ANCHOR SPACING****

INSTALLATION OPTIONS ARE:

- 1) OPEN FRAMING - WOOD OR METAL STUDS
- 2) WOOD SHEATHING
- 3) HAT CHANNEL OVER SHEATHING WITHOUT OR WITH A *VAPOR BARRIER (*RECOMMENDED FOR WALLS)



2529 W. Jackson St.
Phoenix, AZ 85298

PHONE: (602) 275-1676
FAX: (602) 275-1739

2PC. INSIDE CORNER @ VERT

SCALE: NTS

10/25/23

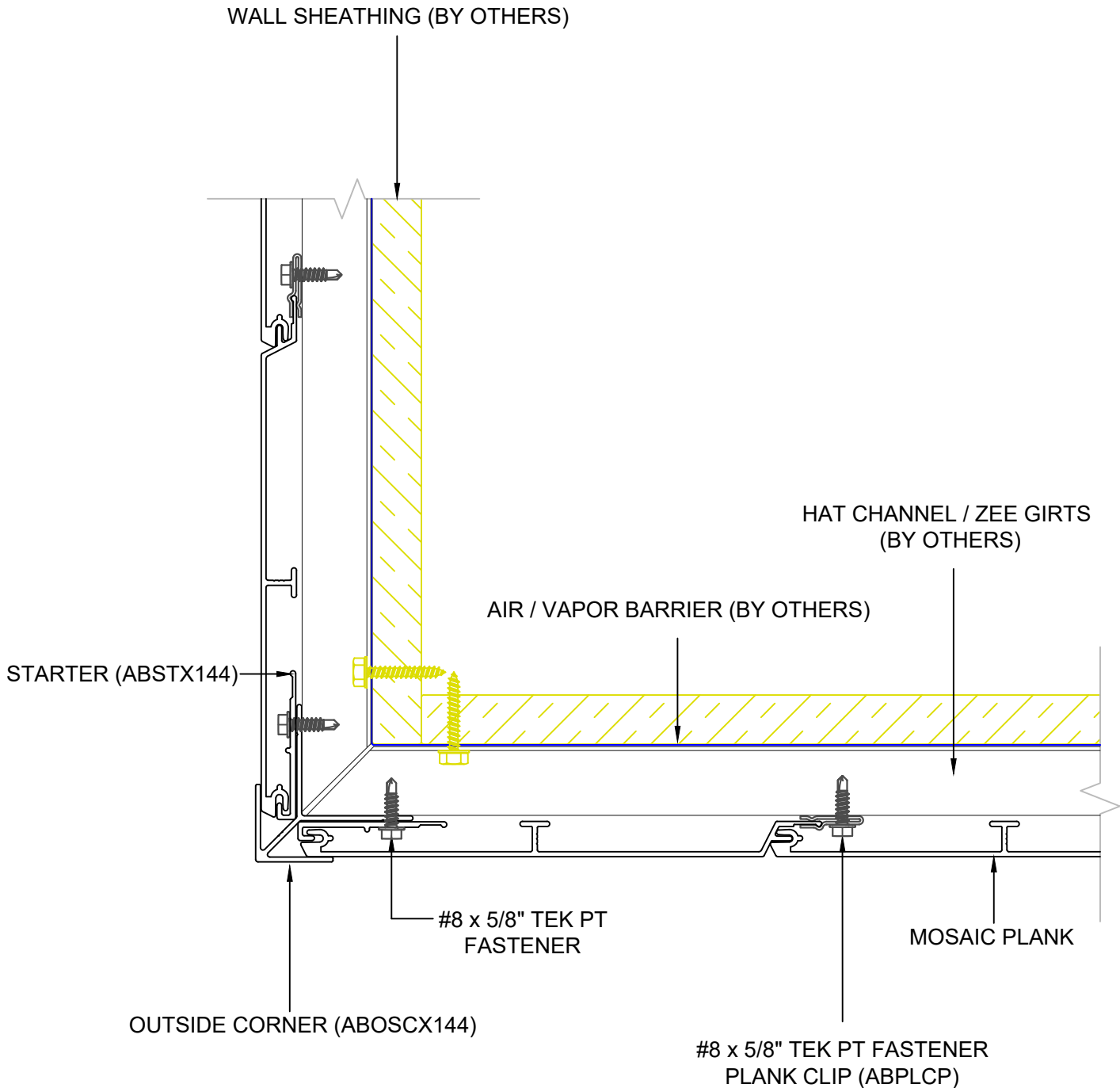
SYSTEM = MOSAIC

403

****ALL DETAILS SHOW MOSAIC ATTACHED TO HAT CHANNELS OVER SOLID SUBSTRATE****
****REFERENCE LOAD SPAN TABLES FOR ALL ATTACHMENT TYPES, ANCHOR TYPES, & ANCHOR SPACING****

INSTALLATION OPTIONS ARE:

- 1) OPEN FRAMING - WOOD OR METAL STUDS
- 2) WOOD SHEATHING
- 3) HAT CHANNEL OVER SHEATHING WITHOUT OR WITH A *VAPOR BARRIER (*RECOMMENDED FOR WALLS)



2529 W. Jackson St.
Phoenix, AZ 85298
PHONE: (602) 275-1676
FAX: (602) 275-1739

OUTSIDE CORNER @ HORIZ

404

SCALE: NTS

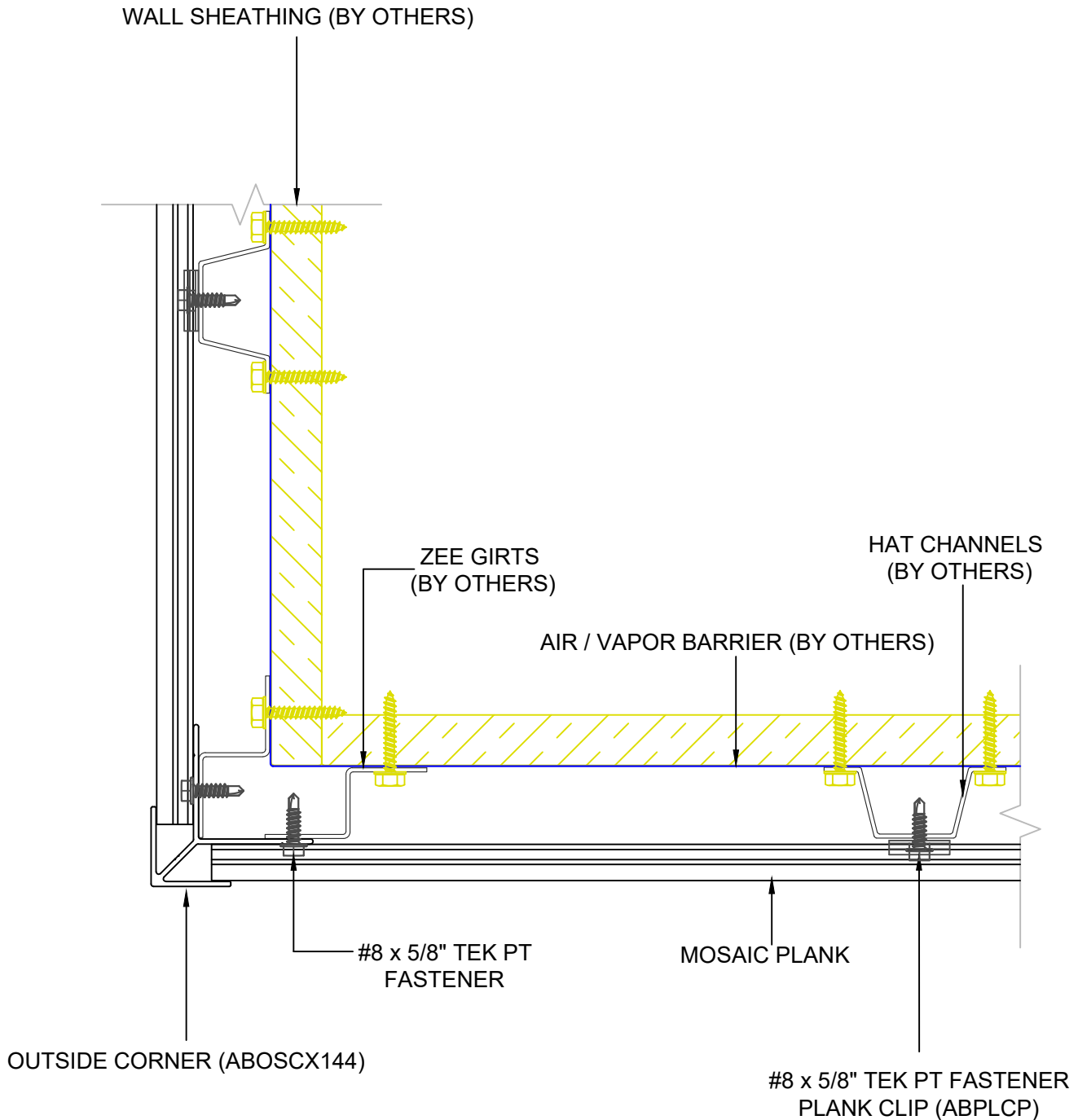
10/25/23

SYSTEM = MOSAIC

****ALL DETAILS SHOW MOSAIC ATTACHED TO HAT CHANNELS OVER SOLID SUBSTRATE****
****REFERENCE LOAD SPAN TABLES FOR ALL ATTACHMENT TYPES, ANCHOR TYPES, & ANCHOR SPACING****

INSTALLATION OPTIONS ARE:

- 1) OPEN FRAMING - WOOD OR METAL STUDS
- 2) WOOD SHEATHING
- 3) HAT CHANNEL OVER SHEATHING WITHOUT OR WITH A *VAPOR BARRIER (*RECOMMENDED FOR WALLS)



2529 W. Jackson St.
Phoenix, AZ 85298
PHONE: (602) 275-1676
FAX: (602) 275-1739

OUTSIDE CORNER @ VERT

405

SCALE: NTS

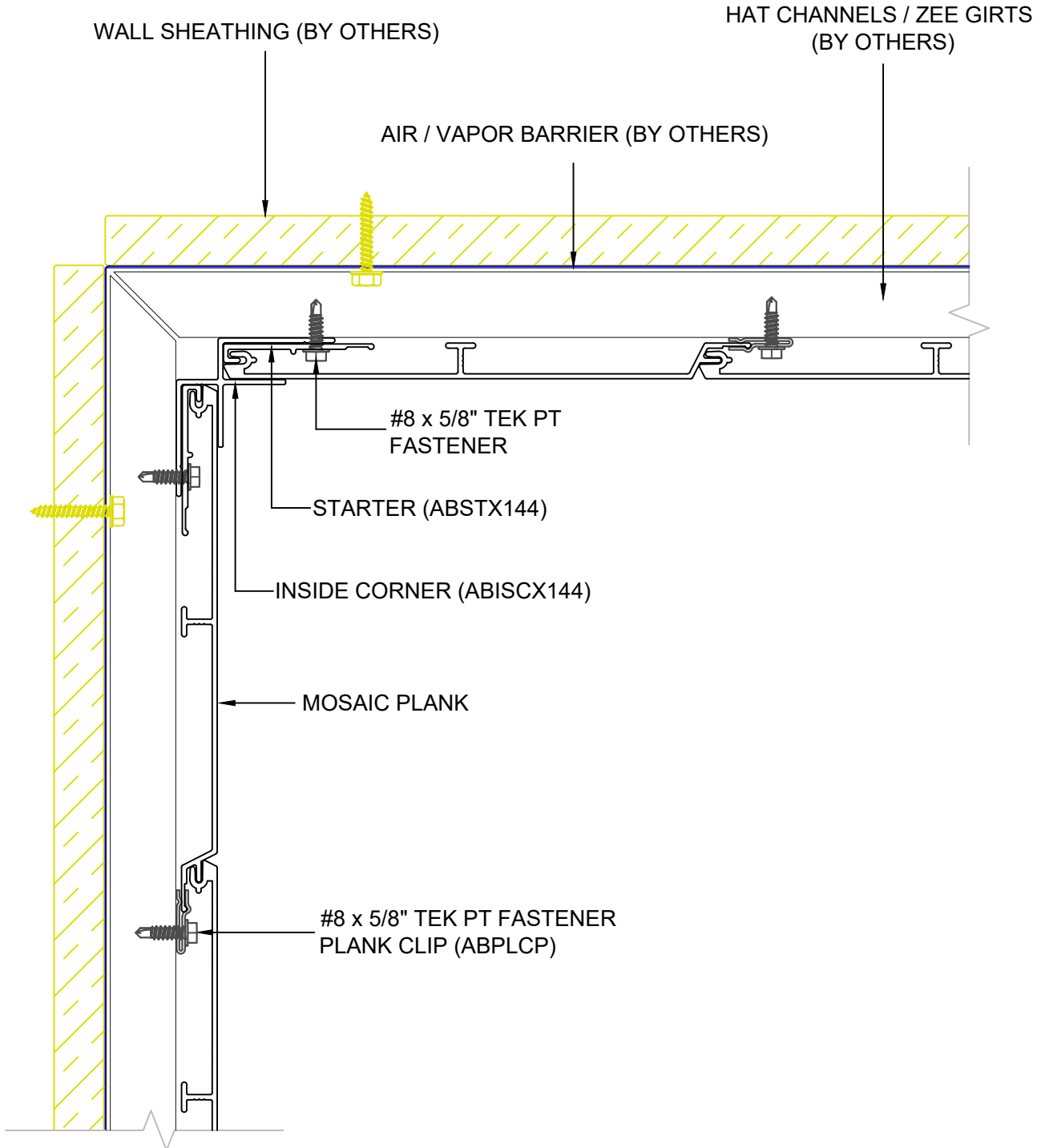
10/25/23

SYSTEM = MOSAIC

****ALL DETAILS SHOW MOSAIC ATTACHED TO HAT CHANNELS OVER SOLID SUBSTRATE****
****REFERENCE LOAD SPAN TABLES FOR ALL ATTACHMENT TYPES, ANCHOR TYPES, & ANCHOR SPACING****

INSTALLATION OPTIONS ARE:

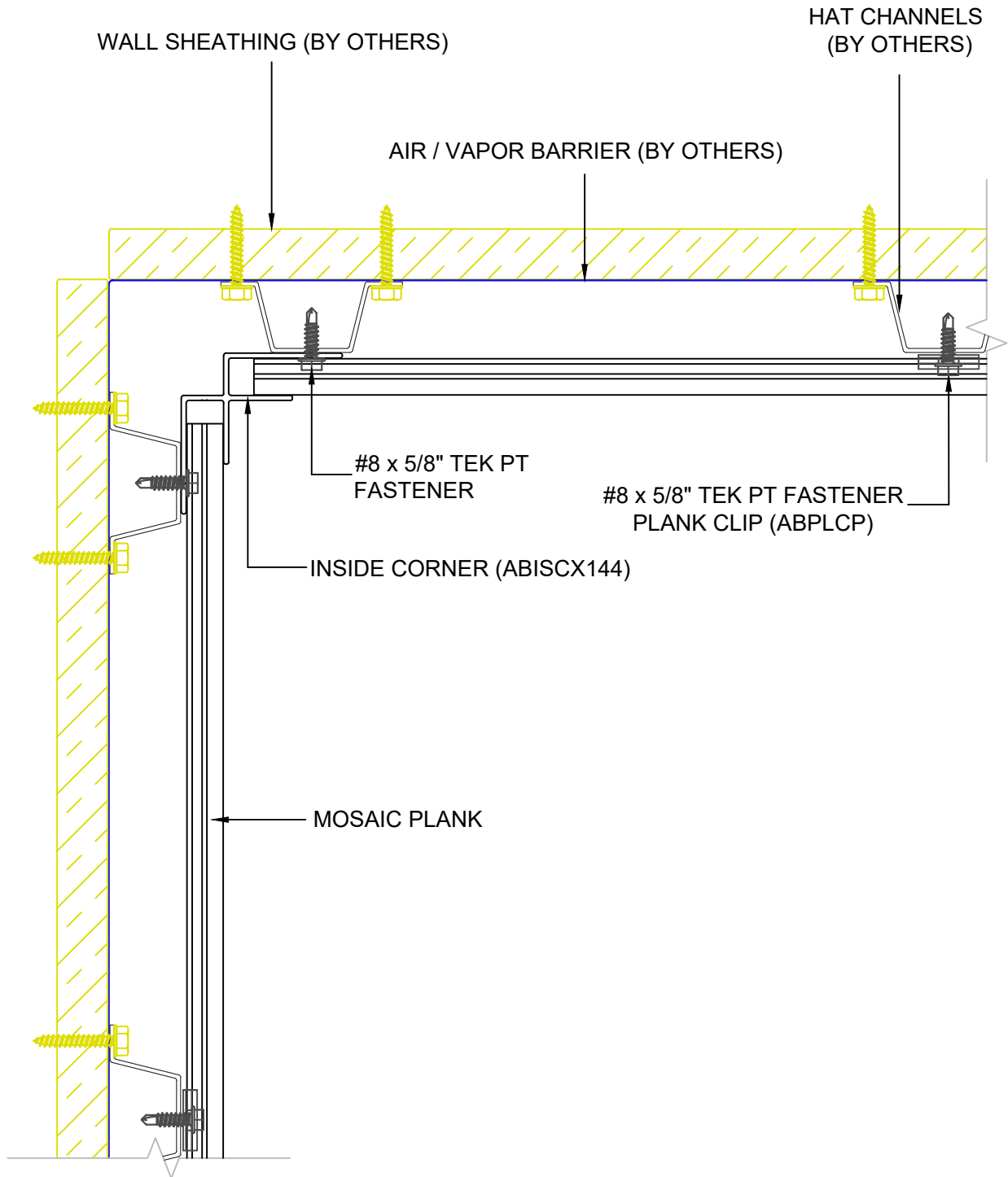
- 1) OPEN FRAMING - WOOD OR METAL STUDS
- 2) WOOD SHEATHING
- 3) HAT CHANNEL OVER SHEATHING WITHOUT OR WITH A *VAPOR BARRIER (*RECOMMENDED FOR WALLS)



****ALL DETAILS SHOW MOSAIC ATTACHED TO HAT CHANNELS OVER SOLID SUBSTRATE****
****REFERENCE LOAD SPAN TABLES FOR ALL ATTACHMENT TYPES, ANCHOR TYPES, & ANCHOR SPACING****

INSTALLATION OPTIONS ARE:

- 1) OPEN FRAMING - WOOD OR METAL STUDS
- 2) WOOD SHEATHING
- 3) HAT CHANNEL OVER SHEATHING WITHOUT OR WITH A *VAPOR BARRIER (*RECOMMENDED FOR WALLS)



2529 W. Jackson St.
Phoenix, AZ 85298

PHONE: (602) 275-1676
FAX: (602) 275-1739

INSIDE CORNER @ VERT

SCALE: NTS

10/25/23

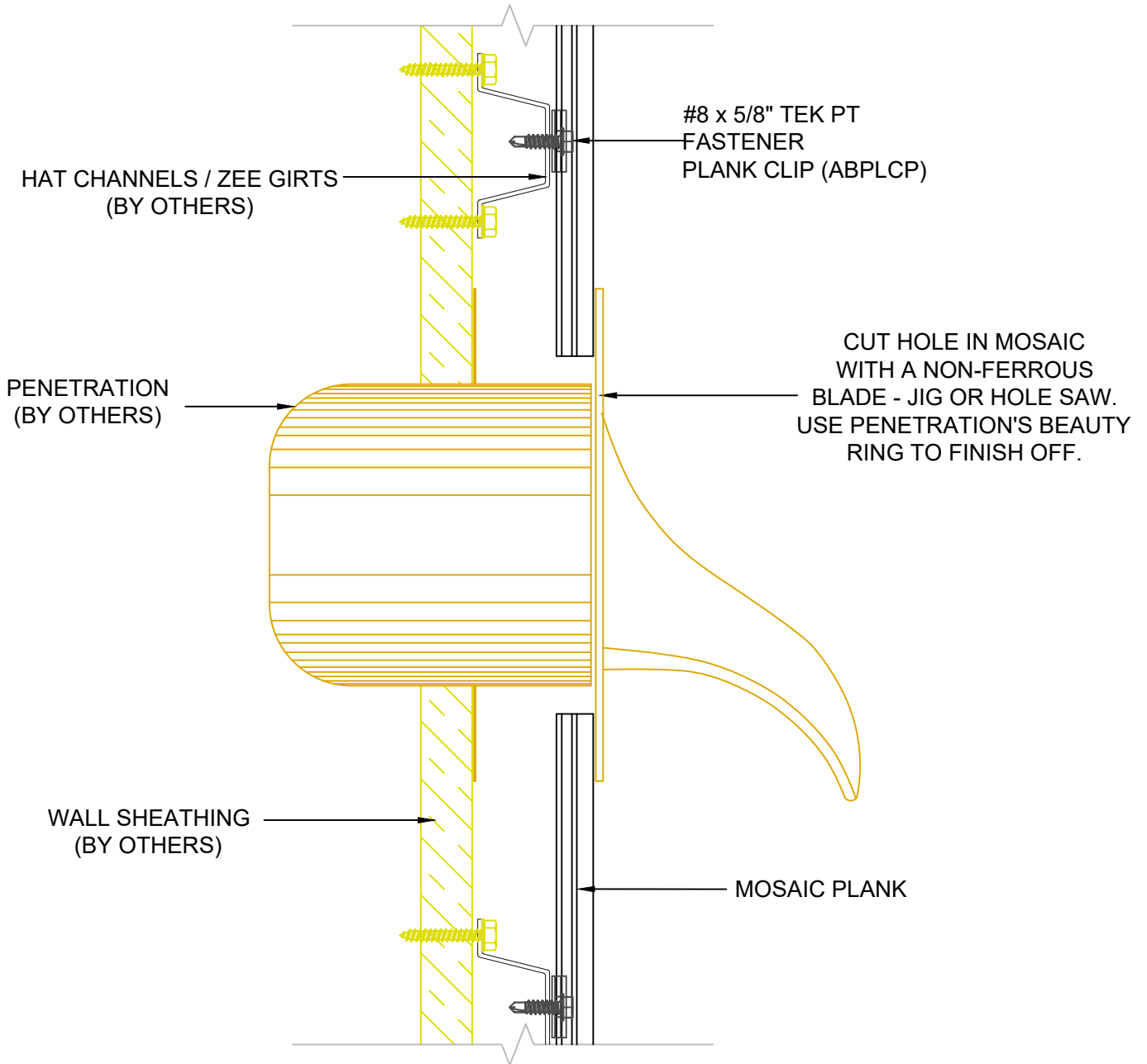
SYSTEM = MOSAIC

407

****ALL DETAILS SHOW MOSAIC ATTACHED TO HAT CHANNELS OVER SOLID SUBSTRATE****
****REFERENCE LOAD SPAN TABLES FOR ALL ATTACHMENT TYPES, ANCHOR TYPES, & ANCHOR SPACING****

INSTALLATION OPTIONS ARE:

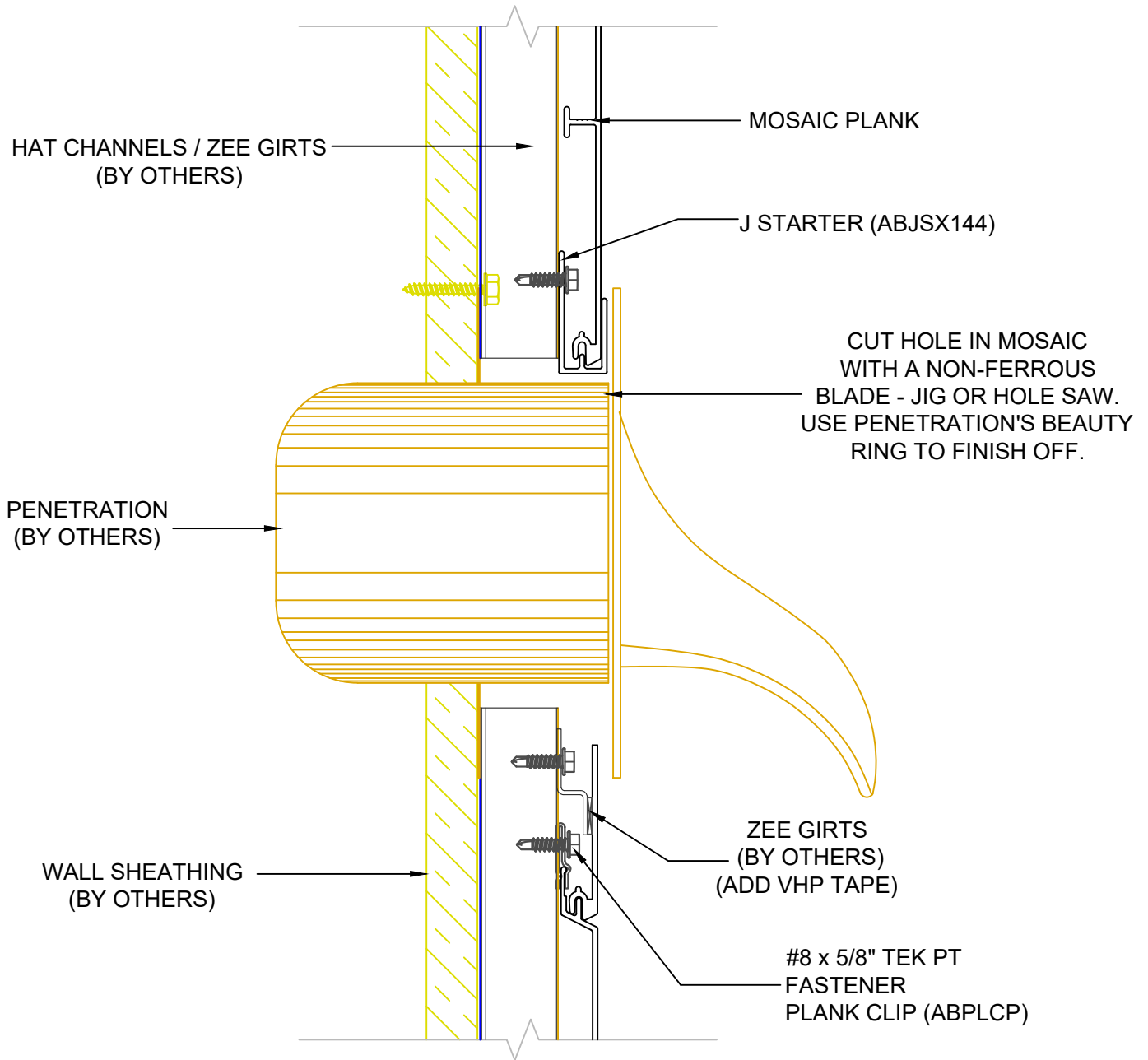
- 1) OPEN FRAMING - WOOD OR METAL STUDS
- 2) WOOD SHEATHING
- 3) HAT CHANNEL OVER SHEATHING WITHOUT OR WITH A *VAPOR BARRIER (*RECOMMENDED FOR WALLS)



****ALL DETAILS SHOW MOSAIC ATTACHED TO HAT CHANNELS OVER SOLID SUBSTRATE****
****REFERENCE LOAD SPAN TABLES FOR ALL ATTACHMENT TYPES, ANCHOR TYPES, & ANCHOR SPACING****

INSTALLATION OPTIONS ARE:

- 1) OPEN FRAMING - WOOD OR METAL STUDS
- 2) WOOD SHEATHING
- 3) HAT CHANNEL OVER SHEATHING WITHOUT OR WITH A *VAPOR BARRIER (*RECOMMENDED FOR WALLS)



2529 W. Jackson St.
 Phoenix, AZ 85298
 PHONE: (602) 275-1676
 FAX: (602) 275-1739

COW TONGUE PENETRATION (2)

409

SCALE: NTS

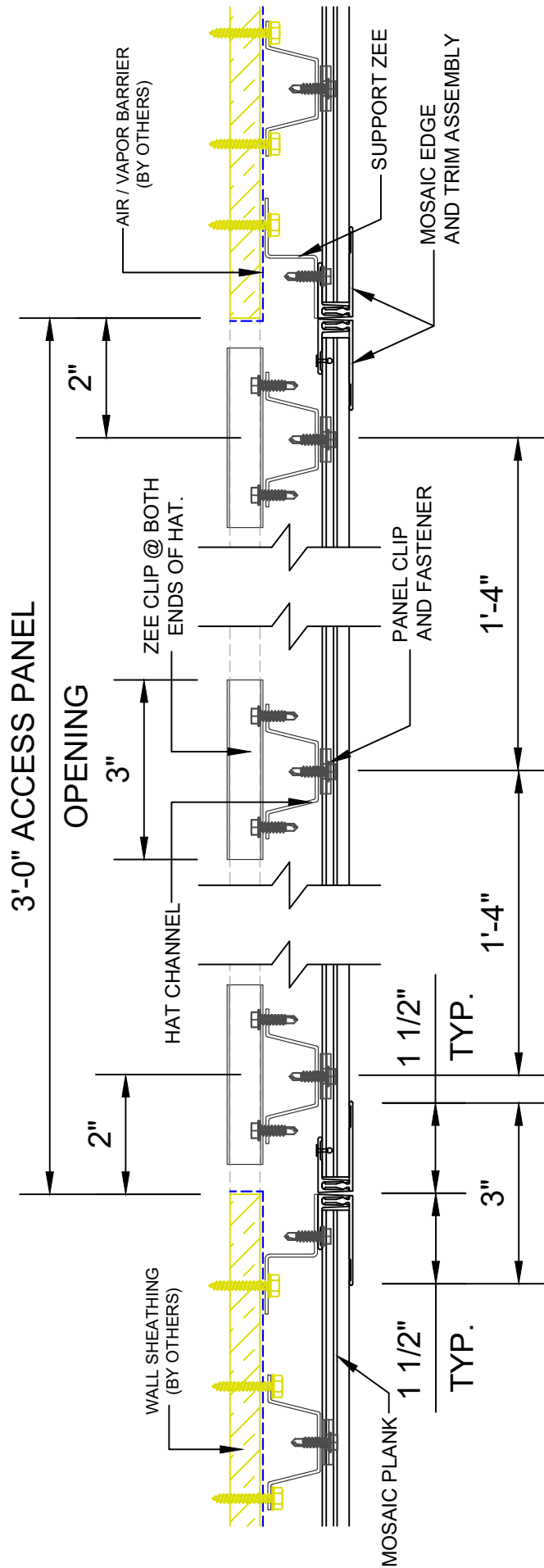
10/25/23

SYSTEM = MOSAIC

ALL DETAILS SHOW MOSAIC ATTACHED TO HAT CHANNELS OVER SOLID SUBSTRATE
 REFERENCE LOAD SPAN TABLES FOR ALL ATTACHMENT TYPES, ANCHOR TYPES, & ANCHOR SPACING

INSTALLATION OPTIONS ARE:

- 1) OPEN FRAMING - WOOD OR METAL STUDS
- 2) WOOD SHEATHING
- 3) HAT CHANNEL OVER SHEATHING WITHOUT OR WITH A *VAPOR BARRIER (*RECOMMENDED FOR WALLS)



2529 W. Jackson St.
 Phoenix, AZ 85298
 PHONE: (602) 275-1676
 FAX: (602) 275-1739

MOSAIC ACCESS PANEL

SCALE: NTS

10/25/23

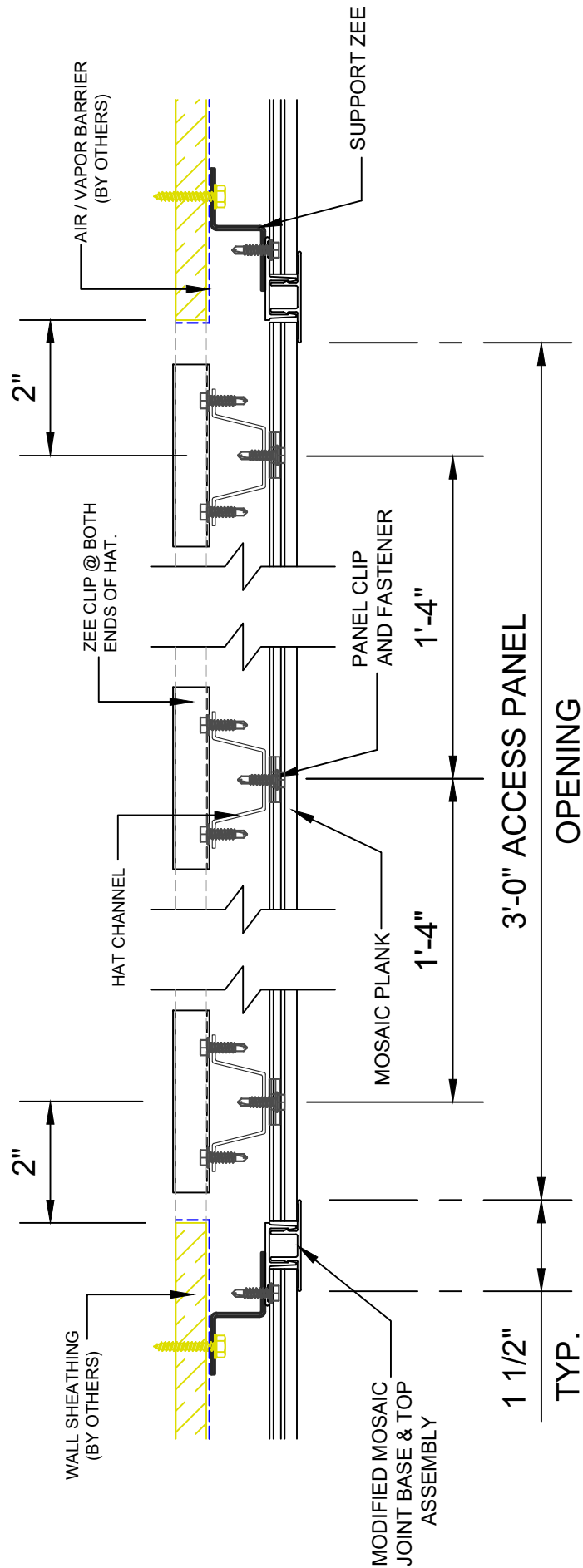
SYSTEM = MOSAIC

410

ALL DETAILS SHOW MOSAIC ATTACHED TO HAT CHANNELS OVER SOLID SUBSTRATE
 REFERENCE LOAD SPAN TABLES FOR ALL ATTACHMENT TYPES, ANCHOR TYPES, & ANCHOR SPACING

INSTALLATION OPTIONS ARE:

- 1) OPEN FRAMING - WOOD OR METAL STUDS
- 2) WOOD SHEATHING
- 3) HAT CHANNEL OVER SHEATHING WITHOUT OR WITH A *VAPOR BARRIER (*RECOMMENDED FOR WALLS)



2529 W. Jackson St.
 Phoenix, AZ 85298
 PHONE: (602) 275-1676
 FAX: (602) 275-1739

MOSAIC ACCESS PANEL

SCALE: NTS

10/25/23

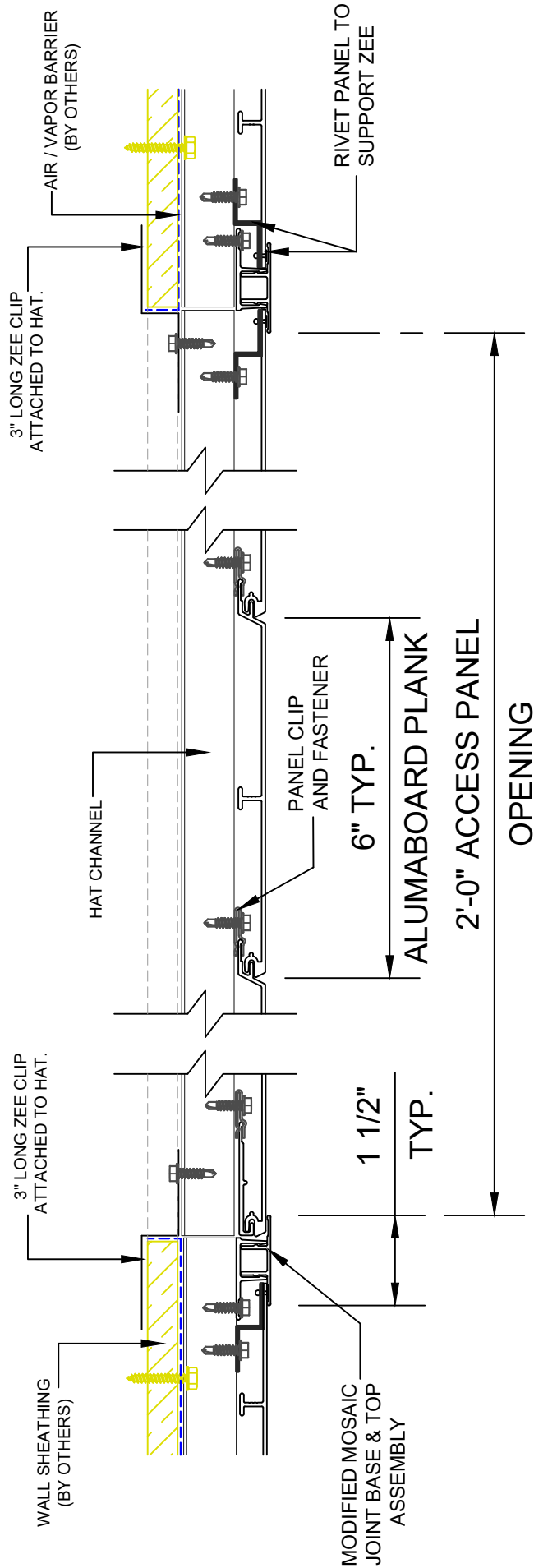
SYSTEM = MOSAIC

412

****ALL DETAILS SHOW MOSAIC ATTACHED TO HAT CHANNELS OVER SOLID SUBSTRATE**
****REFERENCE LOAD SPAN TABLES FOR ALL ATTACHMENT TYPES, ANCHOR TYPES, & ANCHOR SPACING******

INSTALLATION OPTIONS ARE:

- 1) OPEN FRAMING - WOOD OR METAL STUDS
- 2) WOOD SHEATHING
- 3) HAT CHANNEL OVER SHEATHING WITHOUT OR WITH A *VAPOR BARRIER (*RECOMMENDED FOR WALLS)



2529 W. Jackson St.
 Phoenix, AZ 85298
 PHONE: (602) 275-1676
 FAX: (602) 275-1739

MOSAIC ACCESS PANEL

413

SCALE: NTS

10/25/23

SYSTEM = MOSAIC