

INDEX

SOFFIT NO HAT CHANNEL

I - INDEX

NE3- SOFFIT VIEW

N300- STARTER @ SOFFIT

N301- J-CLOSURE & STARTER @ SOFFIT

N302- J-STARTER @ SOFFIT

N303- EDGE SUPPORT @ SOFFIT

N304- EDGE BASE & TOP @ SOFFIT

N305- EDGE BASTE & TOP REVERSED @ SOFFIT

N306- J-CLOSURE @ SOFFIT

N307- EDGE BASE & TOP @ SOFFIT

N308- EDGE BASE & TOP REVERSED @ SOFFIT

N309-PENETRATION #1

N310- PENETRATION #2

N311- LIGHT PENETRATION #1

N312- LIGHT PENETRATION #2



2529 W. Jackson St.
Phoenix, AZ 85298

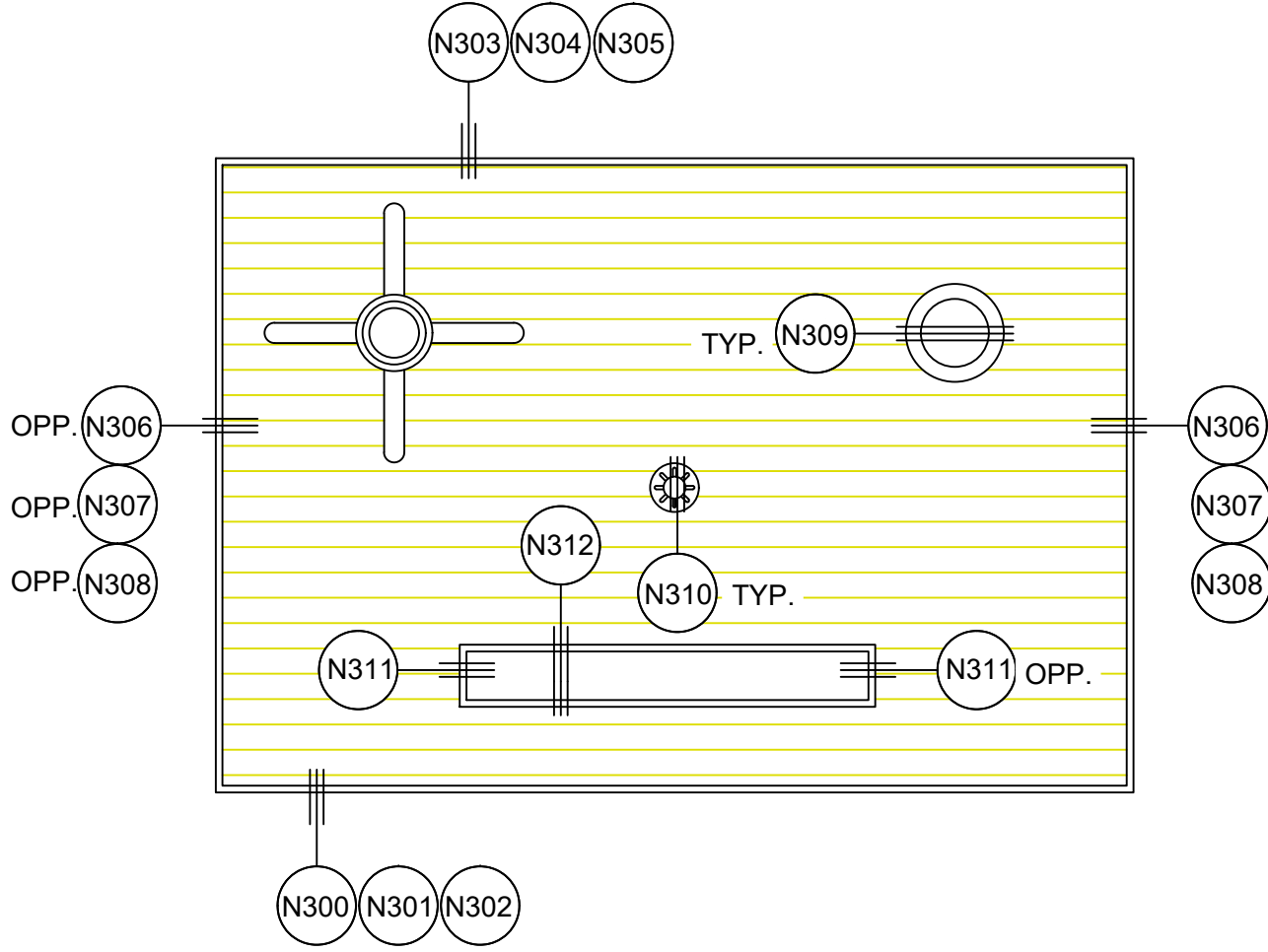
PHONE: (602) 275-1676
FAX: (602) 275-1739

MOSAIC DETAIL INDEX

SCALE: NTS

10/18/23

SYSTEM = MOSAIC



1 SOFFIT
NE3
SCALE: = NTS
REF ARCH: N/A



2529 W. Jackson St.
Phoenix, AZ 85298
PHONE: (602) 275-1676
FAX: (602) 275-1739

INSTALLATION SOFFIT

NE3

SCALE: NTS

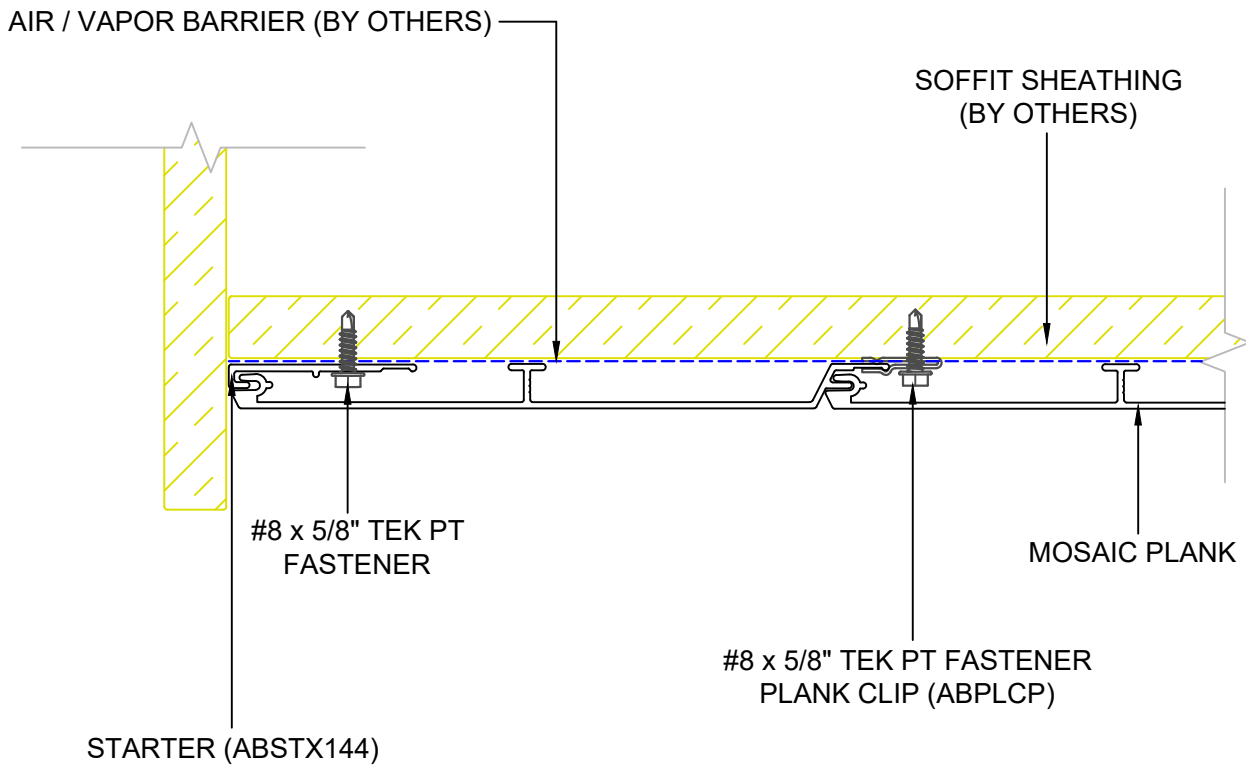
10/18/23

SYSTEM = MOSAIC

****ALL DETAILS SHOW MOSAIC ATTACHED TO HAT CHANNELS OVER SOLID SUBSTRATE****
****REFERENCE LOAD SPAN TABLES FOR ALL ATTACHMENT TYPES, ANCHOR TYPES, & ANCHOR SPACING****

INSTALLATION OPTIONS ARE:

- 1) OPEN FRAMING - WOOD OR METAL STUDS
- 2) WOOD SHEATHING
- 3) HAT CHANNEL OVER SHEATHING WITHOUT OR WITH A *VAPOR BARRIER (*RECOMMENDED FOR WALLS)



2529 W. Jackson St.
Phoenix, AZ 85298
PHONE: (602) 275-1676
FAX: (602) 275-1739

STARTER BASE @ SOFFIT

N300

SCALE: NTS

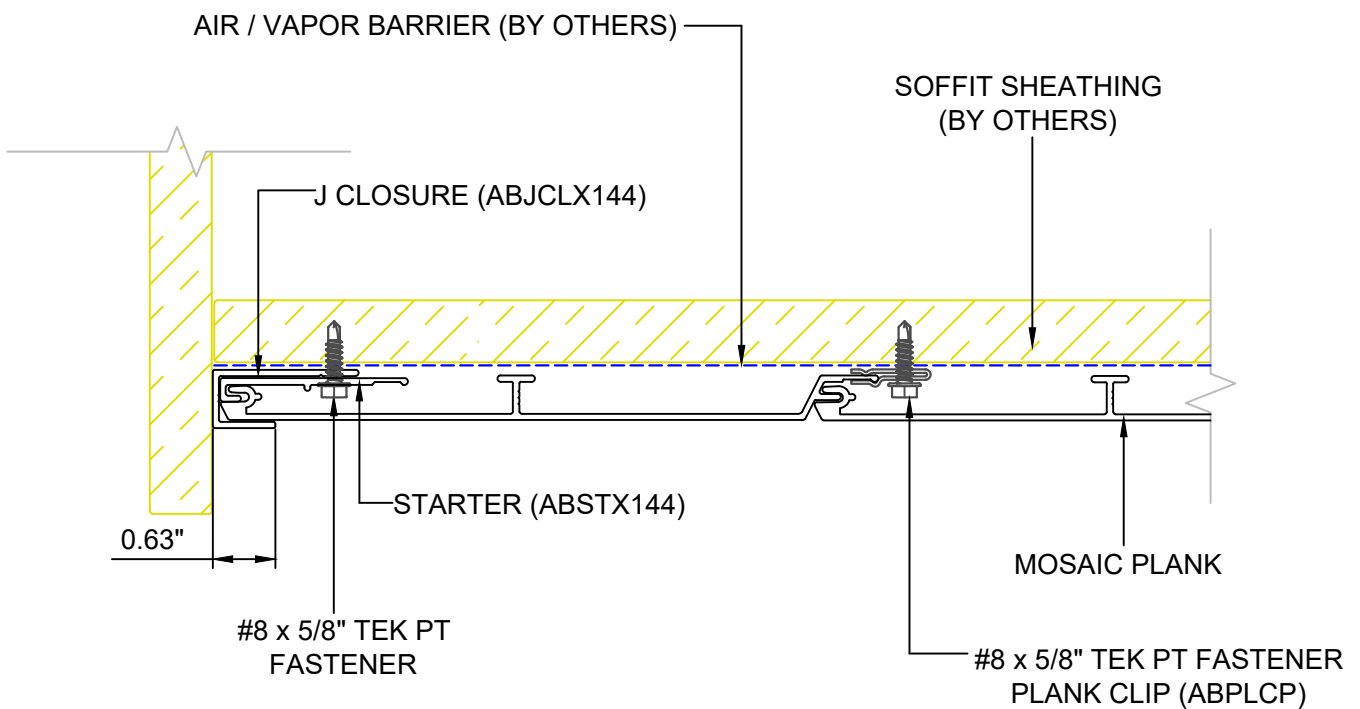
10/18/23

SYSTEM = MOSAIC

****ALL DETAILS SHOW MOSAIC ATTACHED TO HAT CHANNELS OVER SOLID SUBSTRATE****
****REFERENCE LOAD SPAN TABLES FOR ALL ATTACHMENT TYPES, ANCHOR TYPES, & ANCHOR SPACING****

INSTALLATION OPTIONS ARE:

- 1) OPEN FRAMING - WOOD OR METAL STUDS
- 2) WOOD SHEATHING
- 3) HAT CHANNEL OVER SHEATHING WITHOUT OR WITH A *VAPOR BARRIER (*RECOMMENDED FOR WALLS)



2529 W. Jackson St.
Phoenix, AZ 85298
PHONE: (602) 275-1676
FAX: (602) 275-1739

J-CLOSURE & STARTER @ SOFFIT

N301

SCALE: NTS

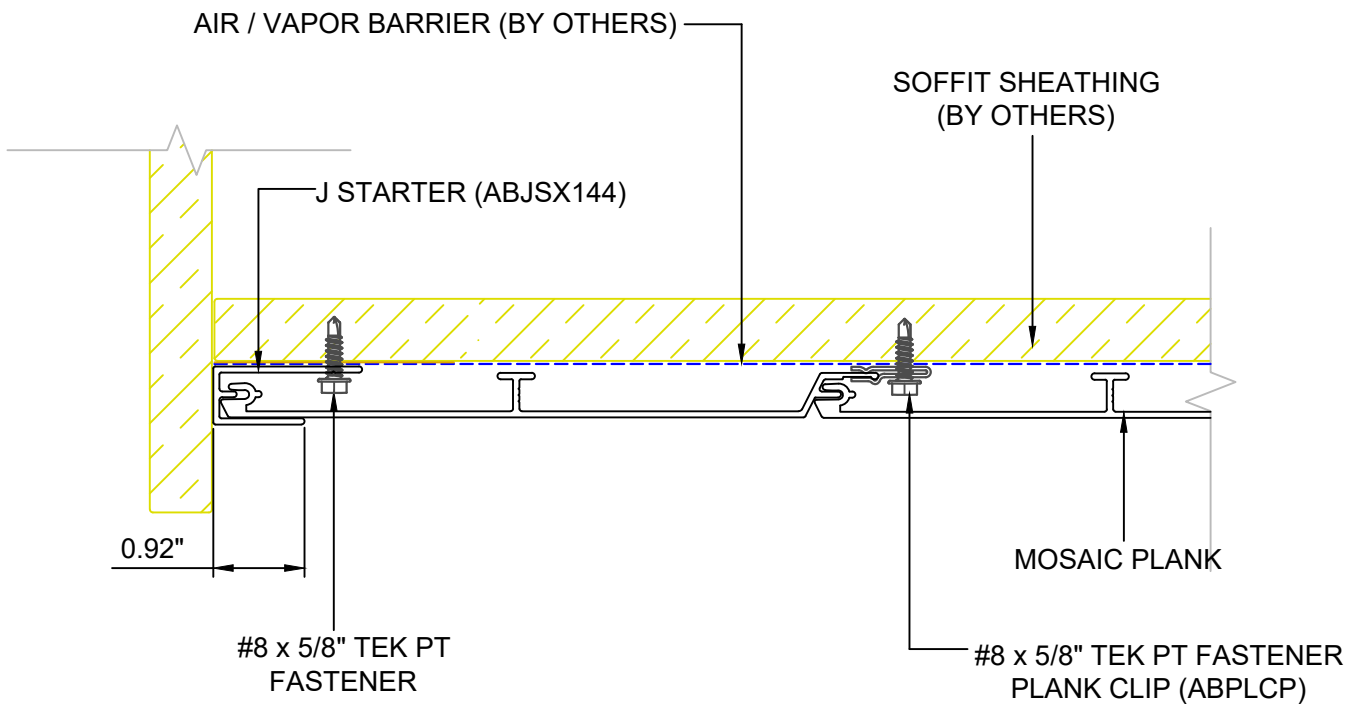
10/18/23

SYSTEM = MOSAIC

****ALL DETAILS SHOW MOSAIC ATTACHED TO HAT CHANNELS OVER SOLID SUBSTRATE****
****REFERENCE LOAD SPAN TABLES FOR ALL ATTACHMENT TYPES, ANCHOR TYPES, & ANCHOR SPACING****

INSTALLATION OPTIONS ARE:

- 1) OPEN FRAMING - WOOD OR METAL STUDS
- 2) WOOD SHEATHING
- 3) HAT CHANNEL OVER SHEATHING WITHOUT OR WITH A *VAPOR BARRIER (*RECOMMENDED FOR WALLS)



2529 W. Jackson St.
Phoenix, AZ 85298
PHONE: (602) 275-1676
FAX: (602) 275-1739

J-STARTER @ SOFFIT

N302

SCALE: NTS

10/18/23

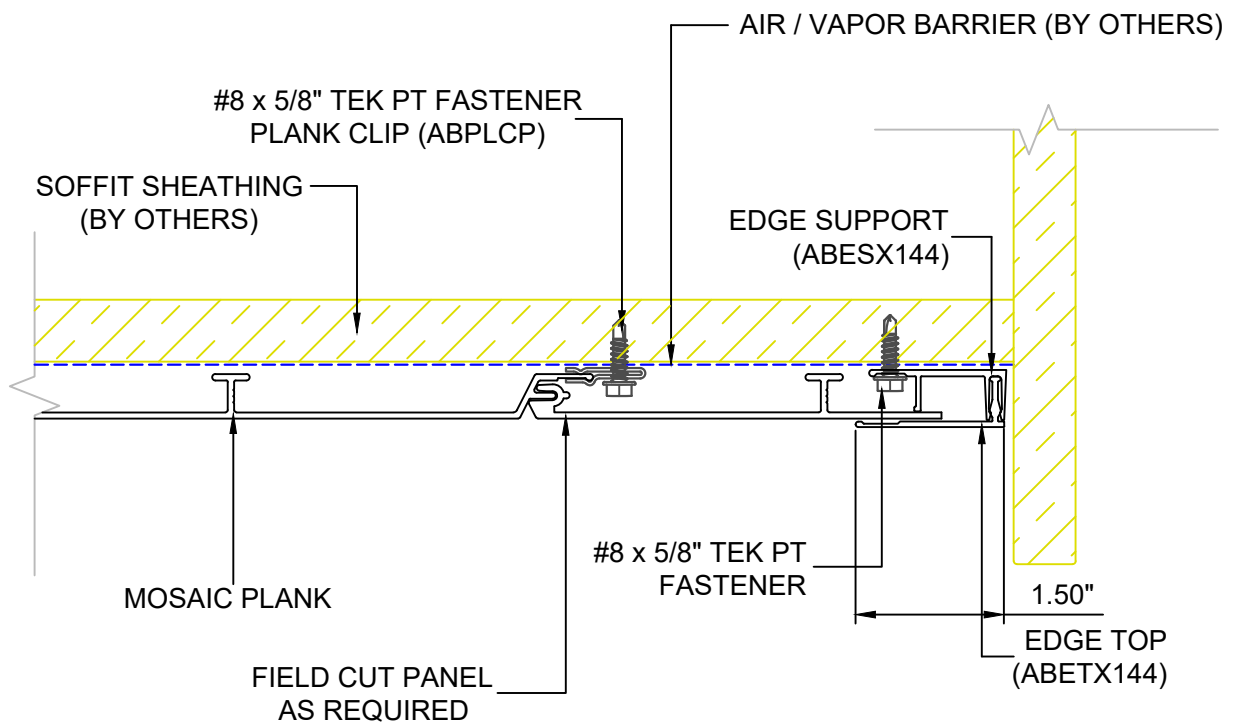
SYSTEM = MOSAIC

****ALL DETAILS SHOW MOSAIC ATTACHED TO HAT CHANNELS OVER SOLID SUBSTRATE****

****REFERENCE LOAD SPAN TABLES FOR ALL ATTACHMENT TYPES, ANCHOR TYPES, & ANCHOR SPACING****

INSTALLATION OPTIONS ARE:

- 1) OPEN FRAMING - WOOD OR METAL STUDS
- 2) WOOD SHEATHING
- 3) HAT CHANNEL OVER SHEATHING WITHOUT OR WITH A *VAPOR BARRIER (*RECOMMENDED FOR WALLS)



2529 W. Jackson St.
Phoenix, AZ 85298

PHONE: (602) 275-1676
FAX: (602) 275-1739

EDGE SUPPORT @ SOFFIT

N303

SCALE: NTS

10/18/23

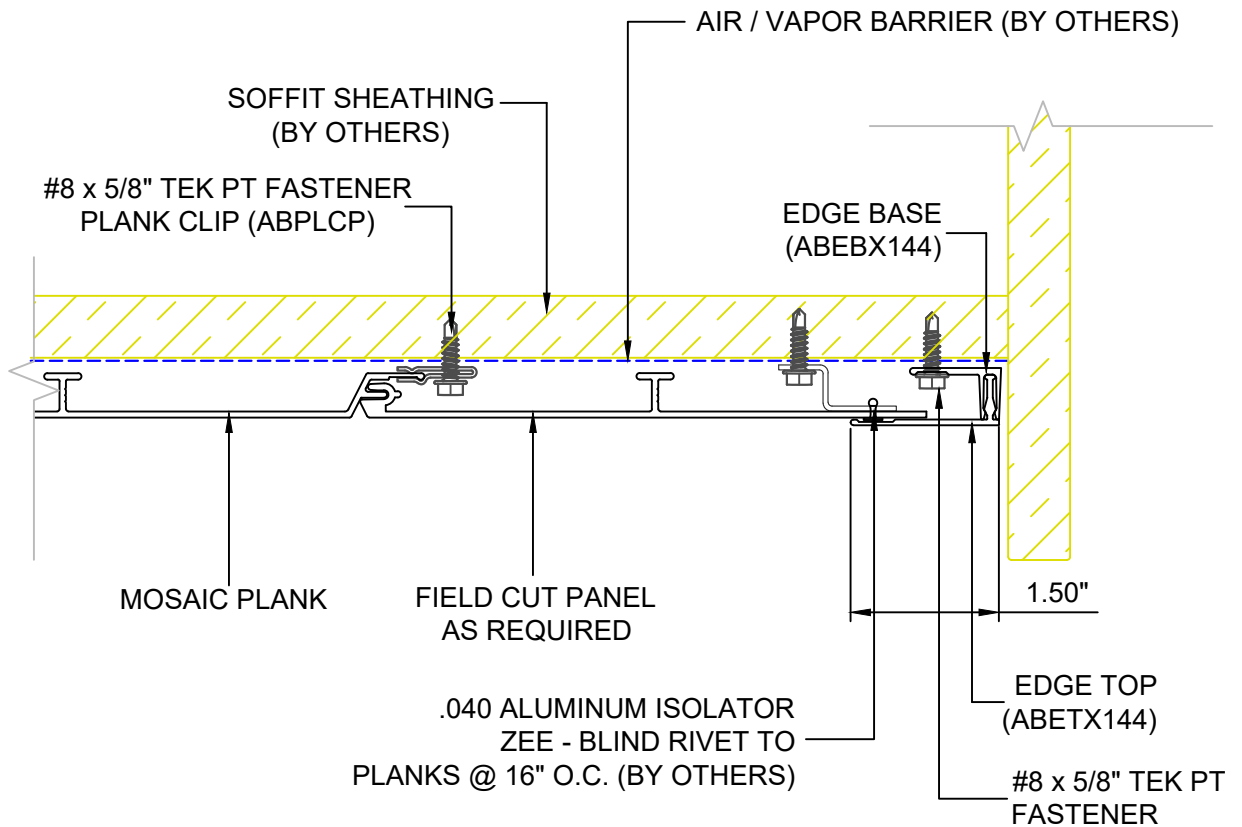
SYSTEM = MOSAIC

****ALL DETAILS SHOW MOSAIC ATTACHED TO HAT CHANNELS OVER SOLID SUBSTRATE****

****REFERENCE LOAD SPAN TABLES FOR ALL ATTACHMENT TYPES, ANCHOR TYPES, & ANCHOR SPACING****

INSTALLATION OPTIONS ARE:

- 1) OPEN FRAMING - WOOD OR METAL STUDS
- 2) WOOD SHEATHING
- 3) HAT CHANNEL OVER SHEATHING WITHOUT OR WITH A *VAPOR BARRIER (*RECOMMENDED FOR WALLS)



2529 W. Jackson St.
Phoenix, AZ 85298

PHONE: (602) 275-1676
FAX: (602) 275-1739

EDGE BASE & TOP @ SOFFIT

N304

SCALE: NTS

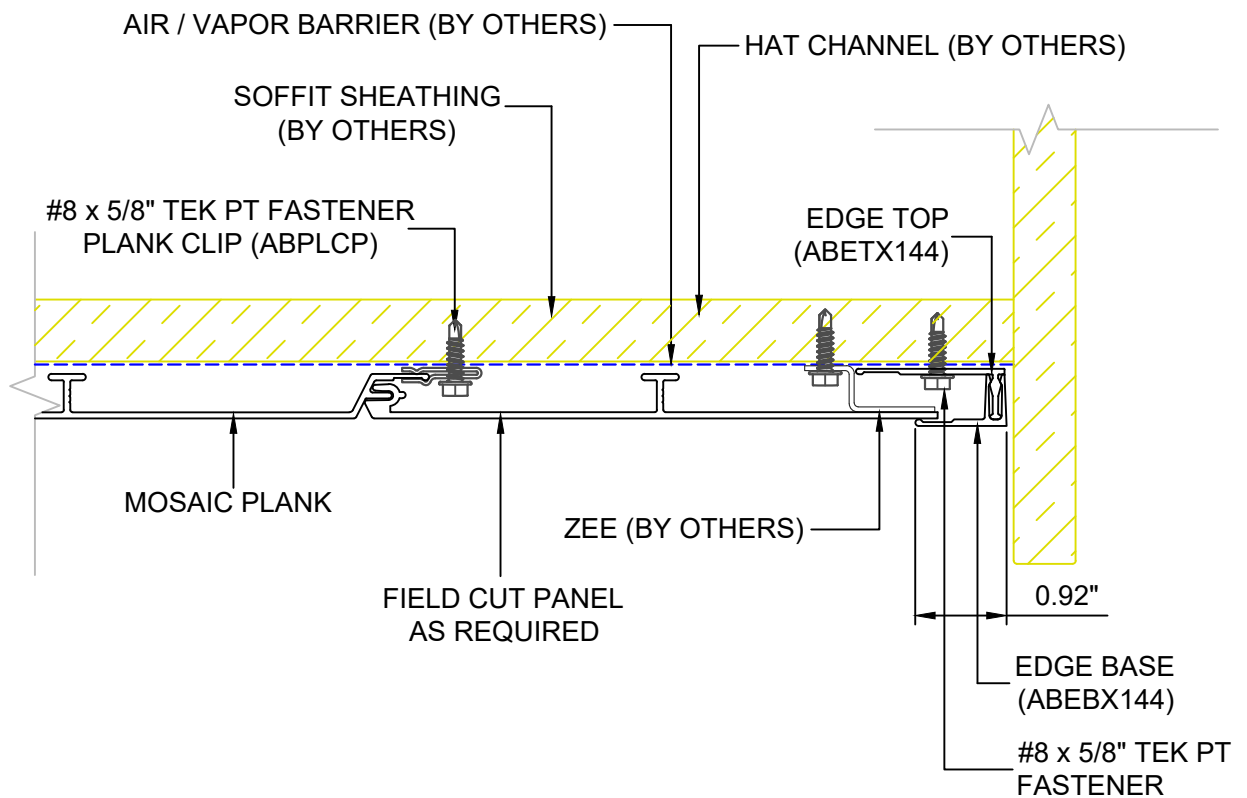
10/18/23

SYSTEM = MOSAIC

****ALL DETAILS SHOW MOSAIC ATTACHED TO HAT CHANNELS OVER SOLID SUBSTRATE****
****REFERENCE LOAD SPAN TABLES FOR ALL ATTACHMENT TYPES, ANCHOR TYPES, & ANCHOR SPACING****

INSTALLATION OPTIONS ARE:

- 1) OPEN FRAMING - WOOD OR METAL STUDS
- 2) WOOD SHEATHING
- 3) HAT CHANNEL OVER SHEATHING WITHOUT OR WITH A *VAPOR BARRIER (*RECOMMENDED FOR WALLS)



2529 W. Jackson St.
 Phoenix, AZ 85298
 PHONE: (602) 275-1676
 FAX: (602) 275-1739

EDGE BASE & TOP RVRS @ SOFFIT

N305

SCALE: NTS

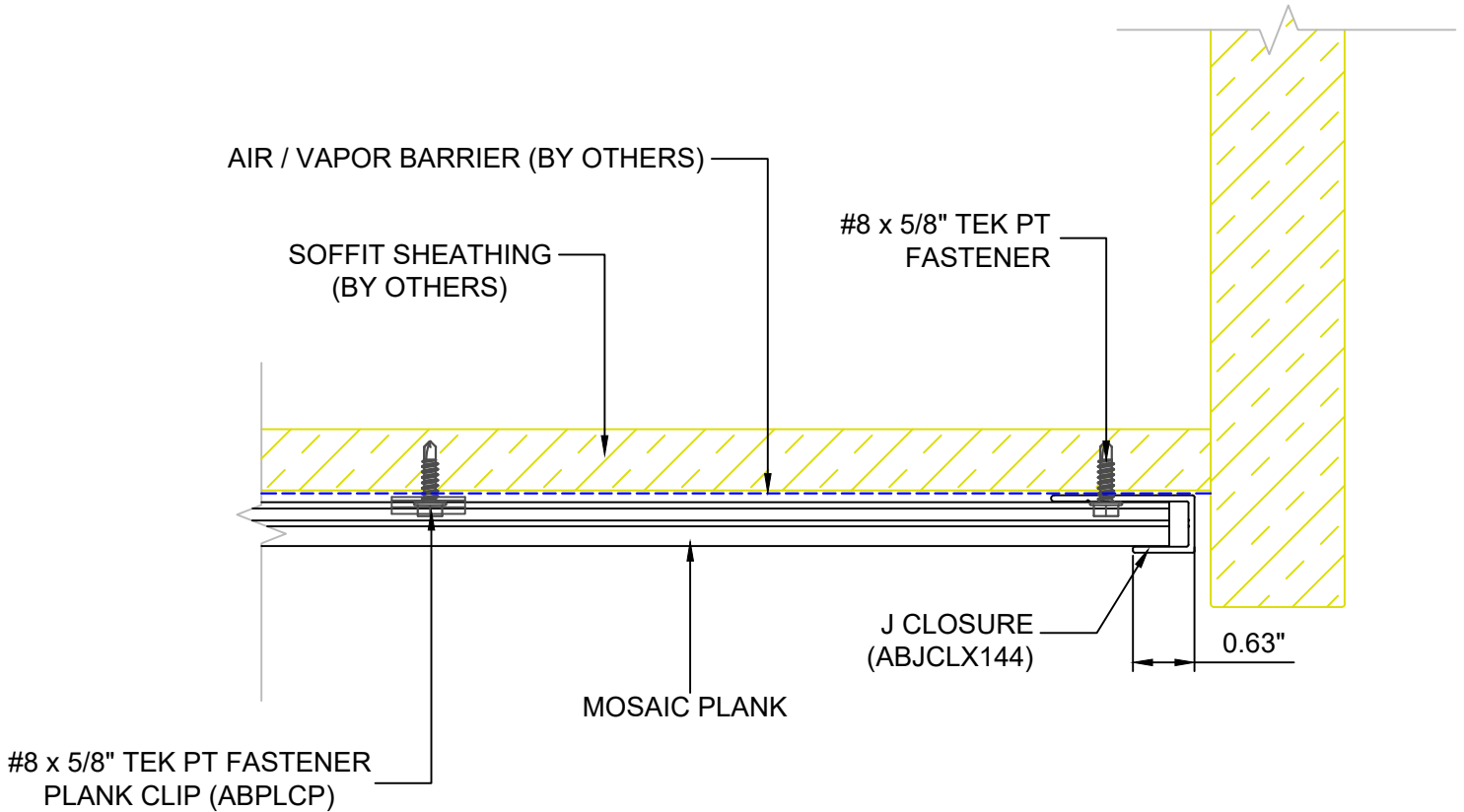
10/18/23

SYSTEM = MOSAIC

****ALL DETAILS SHOW MOSAIC ATTACHED TO HAT CHANNELS OVER SOLID SUBSTRATE****
****REFERENCE LOAD SPAN TABLES FOR ALL ATTACHMENT TYPES, ANCHOR TYPES, & ANCHOR SPACING****

INSTALLATION OPTIONS ARE:

- 1) OPEN FRAMING - WOOD OR METAL STUDS
- 2) WOOD SHEATHING
- 3) HAT CHANNEL OVER SHEATHING WITHOUT OR WITH A *VAPOR BARRIER (*RECOMMENDED FOR WALLS)



NOTE: PLANKS MUST HAVE A JOINT ON WALL TO INSTALL WITH THIS TRIM OR YOU MUST CUT PLANKS EXACT & SLIDE LEFT TO RIGHT TO INSTALL



2529 W. Jackson St.
 Phoenix, AZ 85298
 PHONE: (602) 275-1676
 FAX: (602) 275-1739

J CLOSURE @ SOFFIT

N306

SCALE: NTS

10/18/23

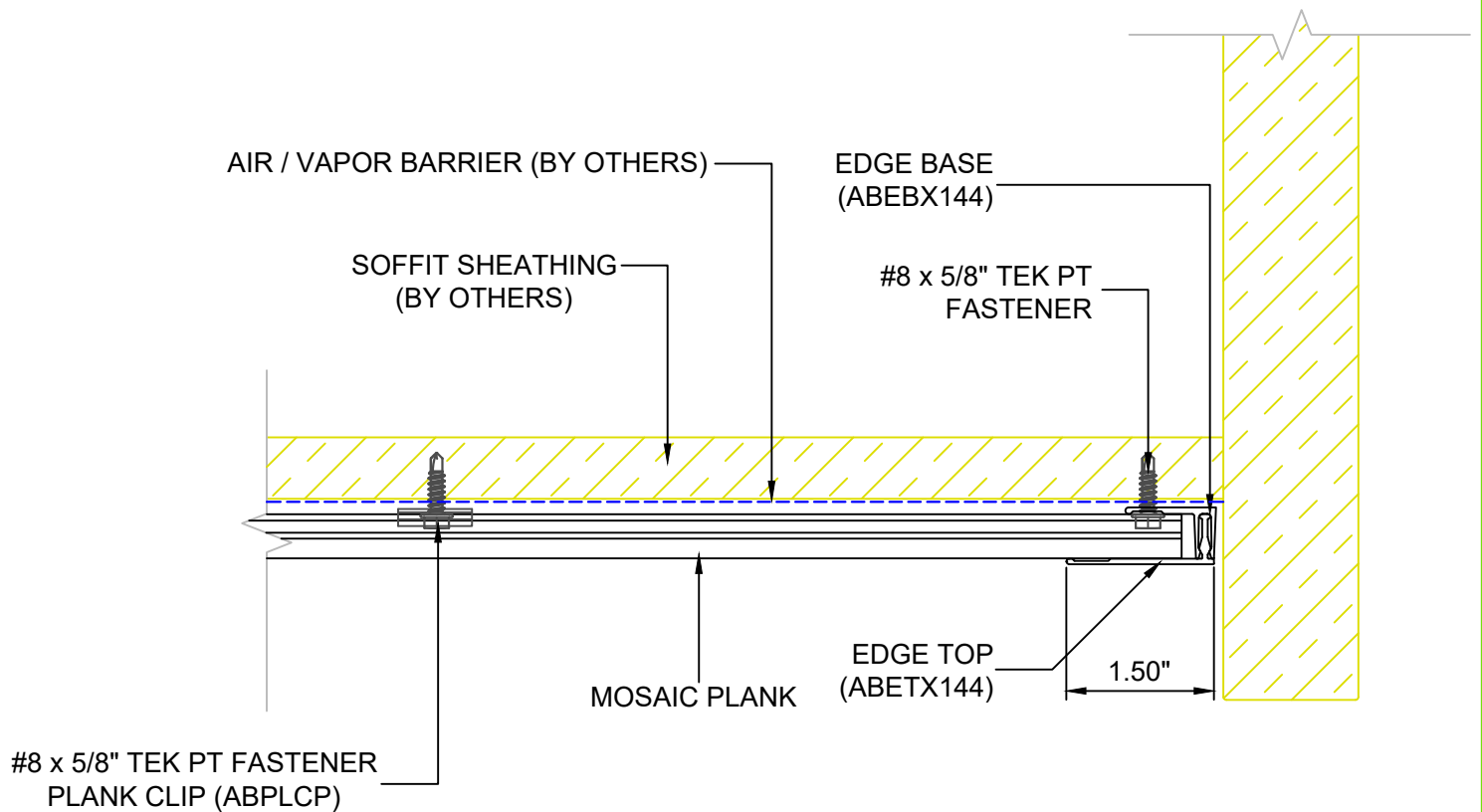
SYSTEM = MOSAIC

****ALL DETAILS SHOW MOSAIC ATTACHED TO HAT CHANNELS OVER SOLID SUBSTRATE****

****REFERENCE LOAD SPAN TABLES FOR ALL ATTACHMENT TYPES, ANCHOR TYPES, & ANCHOR SPACING****

INSTALLATION OPTIONS ARE:

- 1) OPEN FRAMING - WOOD OR METAL STUDS
- 2) WOOD SHEATHING
- 3) HAT CHANNEL OVER SHEATHING WITHOUT OR WITH A *VAPOR BARRIER (*RECOMMENDED FOR WALLS)



2529 W. Jackson St.
Phoenix, AZ 85298

PHONE: (602) 275-1676
FAX: (602) 275-1739

EDGE BASE & TOP @ SOFFIT

N307

SCALE: NTS

10/18/23

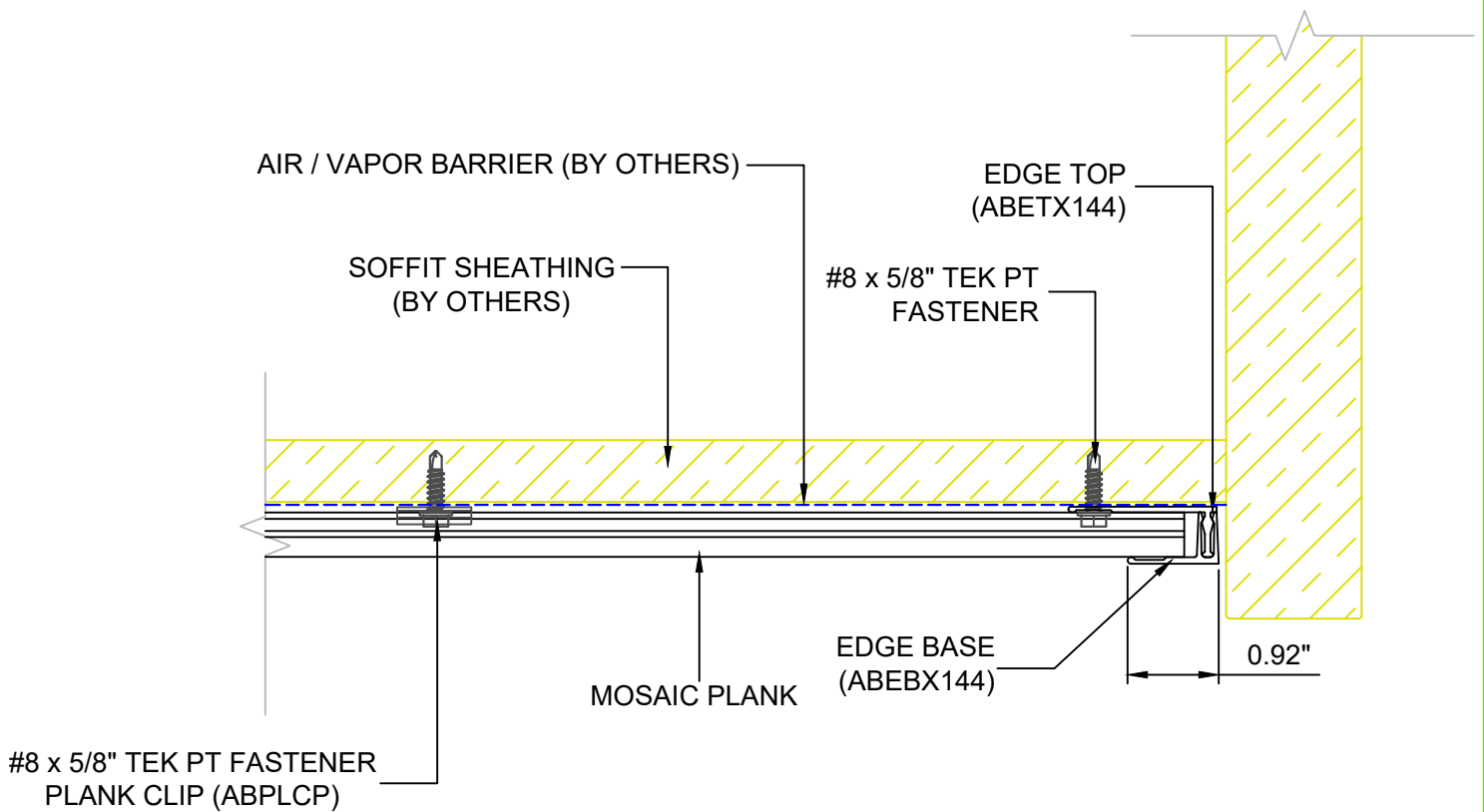
SYSTEM = MOSAIC

****ALL DETAILS SHOW MOSAIC ATTACHED TO HAT CHANNELS OVER SOLID SUBSTRATE****

****REFERENCE LOAD SPAN TABLES FOR ALL ATTACHMENT TYPES, ANCHOR TYPES, & ANCHOR SPACING****

INSTALLATION OPTIONS ARE:

- 1) OPEN FRAMING - WOOD OR METAL STUDS
- 2) WOOD SHEATHING
- 3) HAT CHANNEL OVER SHEATHING WITHOUT OR WITH A *VAPOR BARRIER (*RECOMMENDED FOR WALLS)



2529 W. Jackson St.
Phoenix, AZ 85298
PHONE: (602) 275-1676
FAX: (602) 275-1739

EDGE BASE & TOP RVRS @ SOFFIT

N308

SCALE: NTS

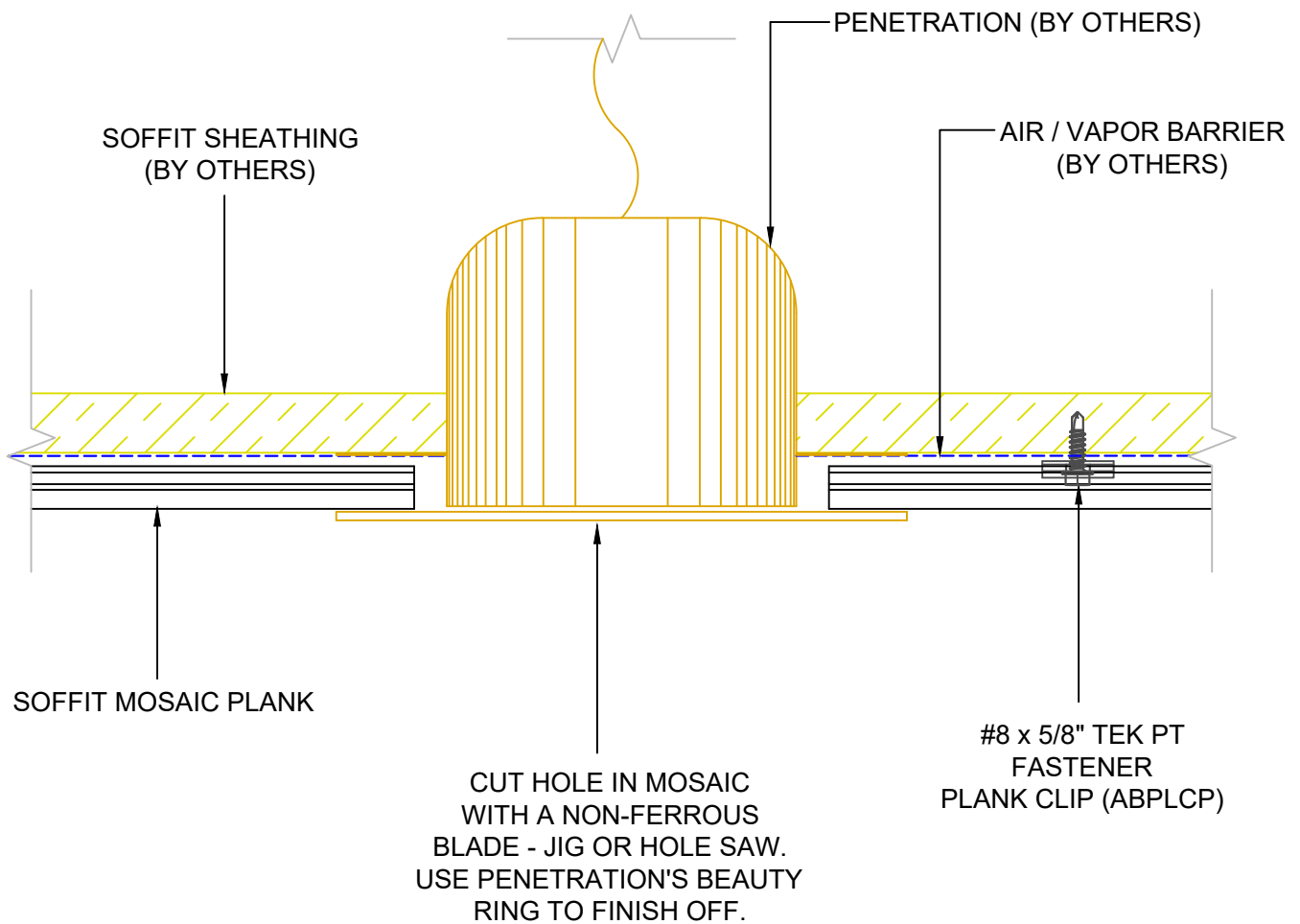
10/18/23

SYSTEM = MOSAIC

****ALL DETAILS SHOW MOSAIC ATTACHED TO HAT CHANNELS OVER SOLID SUBSTRATE****
****REFERENCE LOAD SPAN TABLES FOR ALL ATTACHMENT TYPES, ANCHOR TYPES, & ANCHOR SPACING****

INSTALLATION OPTIONS ARE:

- 1) OPEN FRAMING - WOOD OR METAL STUDS
- 2) WOOD SHEATHING
- 3) HAT CHANNEL OVER SHEATHING WITHOUT OR WITH A *VAPOR BARRIER (*RECOMMENDED FOR WALLS)



2529 W. Jackson St.
Phoenix, AZ 85298

PHONE: (602) 275-1676
FAX: (602) 275-1739

PENETRATION #1

N309

SCALE: NTS

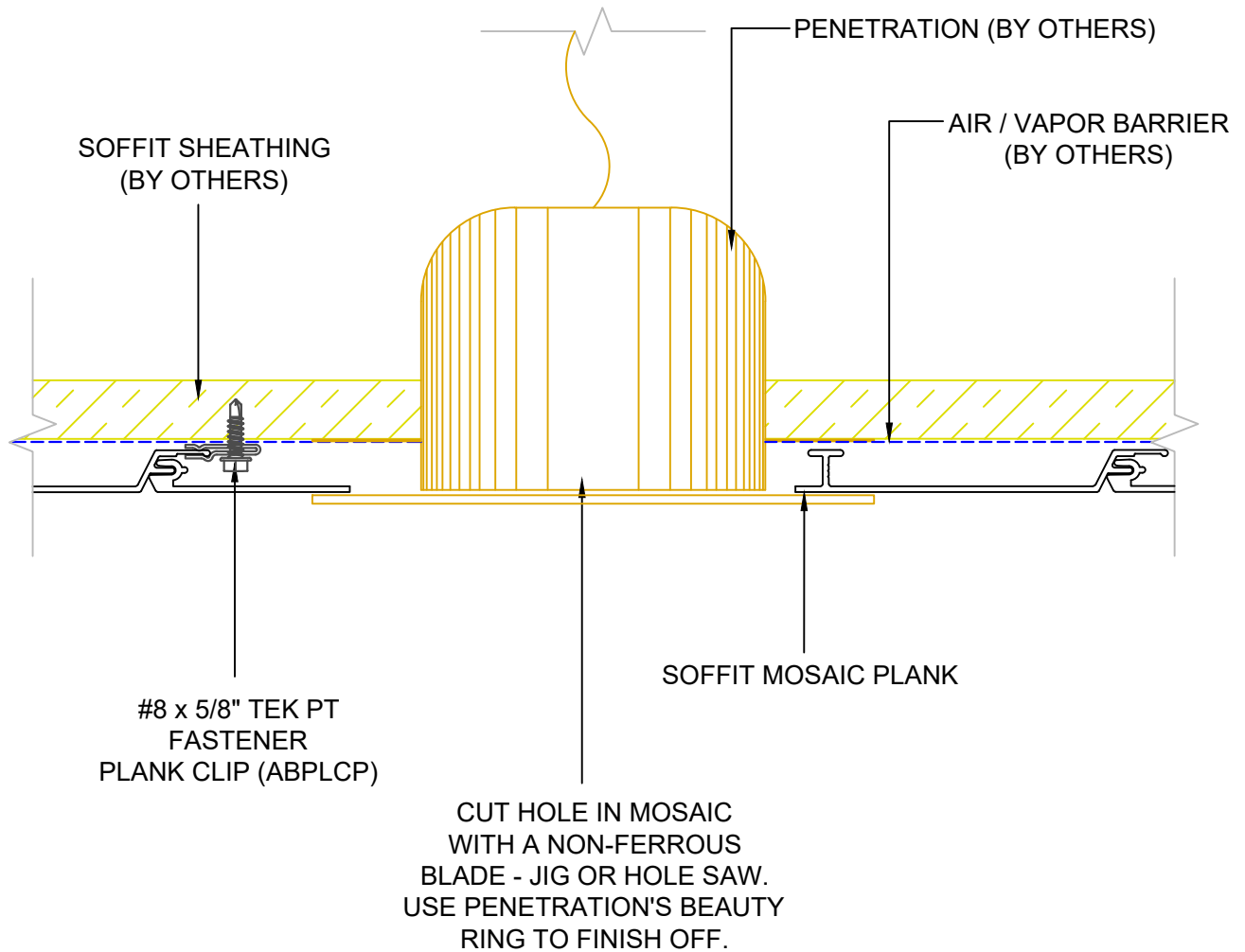
10/18/23

SYSTEM = MOSAIC

****ALL DETAILS SHOW MOSAIC ATTACHED TO HAT CHANNELS OVER SOLID SUBSTRATE****
****REFERENCE LOAD SPAN TABLES FOR ALL ATTACHMENT TYPES, ANCHOR TYPES, & ANCHOR SPACING****

INSTALLATION OPTIONS ARE:

- 1) OPEN FRAMING - WOOD OR METAL STUDS
- 2) WOOD SHEATHING
- 3) HAT CHANNEL OVER SHEATHING WITHOUT OR WITH A *VAPOR BARRIER (*RECOMMENDED FOR WALLS)



2529 W. Jackson St.
Phoenix, AZ 85298

PHONE: (602) 275-1676
FAX: (602) 275-1739

PENETRATION #2

N310

SCALE: NTS

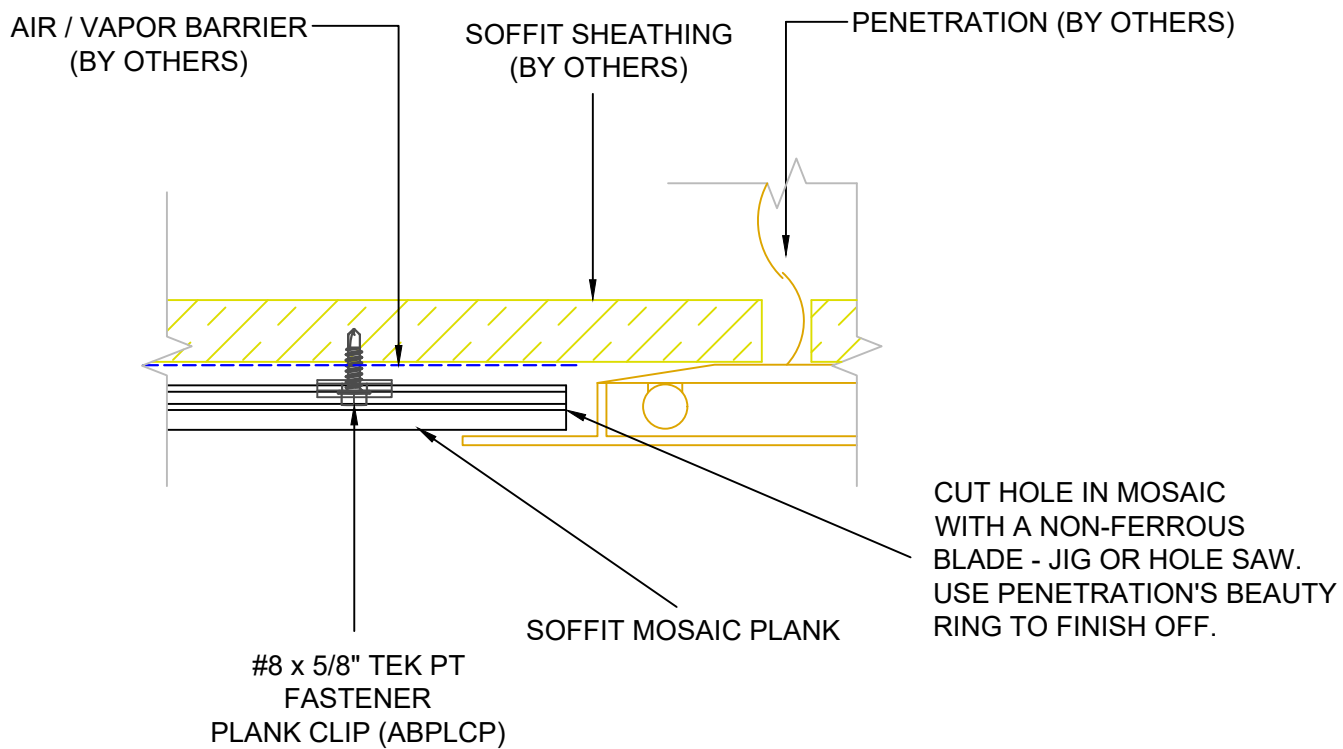
10/18/23

SYSTEM = MOSAIC

****ALL DETAILS SHOW MOSAIC ATTACHED TO HAT CHANNELS OVER SOLID SUBSTRATE****
****REFERENCE LOAD SPAN TABLES FOR ALL ATTACHMENT TYPES, ANCHOR TYPES, & ANCHOR SPACING****

INSTALLATION OPTIONS ARE:

- 1) OPEN FRAMING - WOOD OR METAL STUDS
- 2) WOOD SHEATHING
- 3) HAT CHANNEL OVER SHEATHING WITHOUT OR WITH A *VAPOR BARRIER (*RECOMMENDED FOR WALLS)



2529 W. Jackson St.
Phoenix, AZ 85298
PHONE: (602) 275-1676
FAX: (602) 275-1739

LIGHT PENETRATION #1

N311

SCALE: NTS

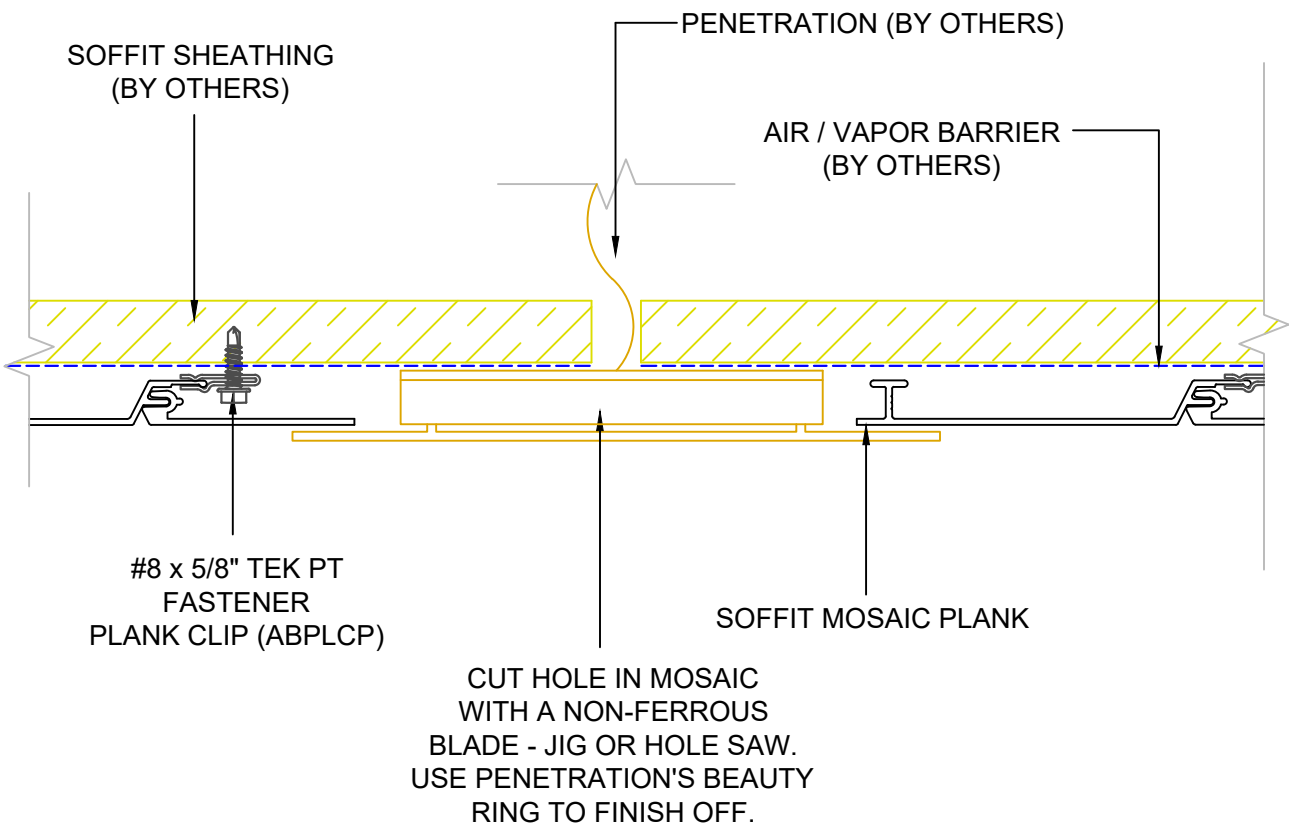
10/18/23

SYSTEM = MOSAIC

****ALL DETAILS SHOW MOSAIC ATTACHED TO HAT CHANNELS OVER SOLID SUBSTRATE****
****REFERENCE LOAD SPAN TABLES FOR ALL ATTACHMENT TYPES, ANCHOR TYPES, & ANCHOR SPACING****

INSTALLATION OPTIONS ARE:

- 1) OPEN FRAMING - WOOD OR METAL STUDS
- 2) WOOD SHEATHING
- 3) HAT CHANNEL OVER SHEATHING WITHOUT OR WITH A *VAPOR BARRIER (*RECOMMENDED FOR WALLS)



2529 W. Jackson St.
Phoenix, AZ 85298

PHONE: (602) 275-1676
FAX: (602) 275-1739

LIGHT PENETRATION #2

N312

SCALE: NTS

10/18/23

SYSTEM = MOSAIC