

# INDEX

## SOFFIT

### ***1 - INDEX***

#### ***E3- SOFFIT VIEW***

***300- STARTER @ SOFFIT***

***301- J-CLOSURE & STARTER @ SOFFIT***

***302- J-STARTER @ SOFFIT***

***303- EDGE SUPPORT @ SOFFIT***

***304- EDGE BASE & TOP @ SOFFIT***

***305- EDGE BASTE & TOP REVERSED @ SOFFIT***

***306- J-CLOSURE @ SOFFIT***

***307- EDGE BASE & TOP @ SOFFIT***

***308- EDGE BASE & TOP REVERSED @ SOFFIT***

***309-PENETRATION #1***

***310- PENETRATION #2***

***311- LIGHT PENETRATION #1***

***312- LIGHT PENETRATION #2***



2529 W. Jackson St.  
Phoenix, AZ 85298

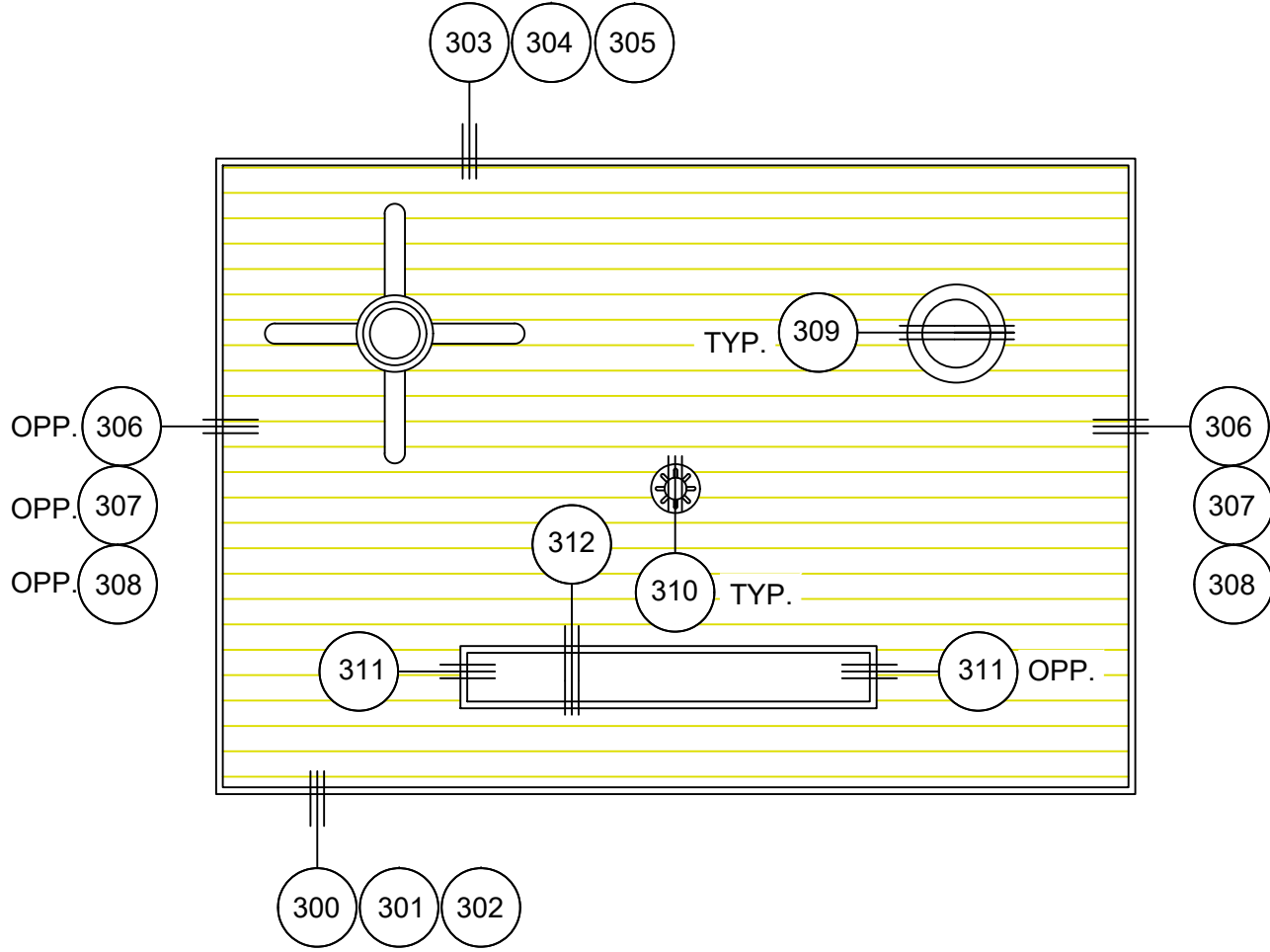
PHONE: (602) 275-1676  
FAX: (602) 275-1739

## MOSAIC DETAIL INDEX

SCALE: NTS

10/18/23

SYSTEM = MOSAIC



1 SOFFIT  
 E3 SCALE: = NTS  
 REF ARCH: N/A



2529 W. Jackson St.  
 Phoenix, AZ 85298  
 PHONE: (602) 275-1676  
 FAX: (602) 275-1739

# INSTALLATION ELEVATION

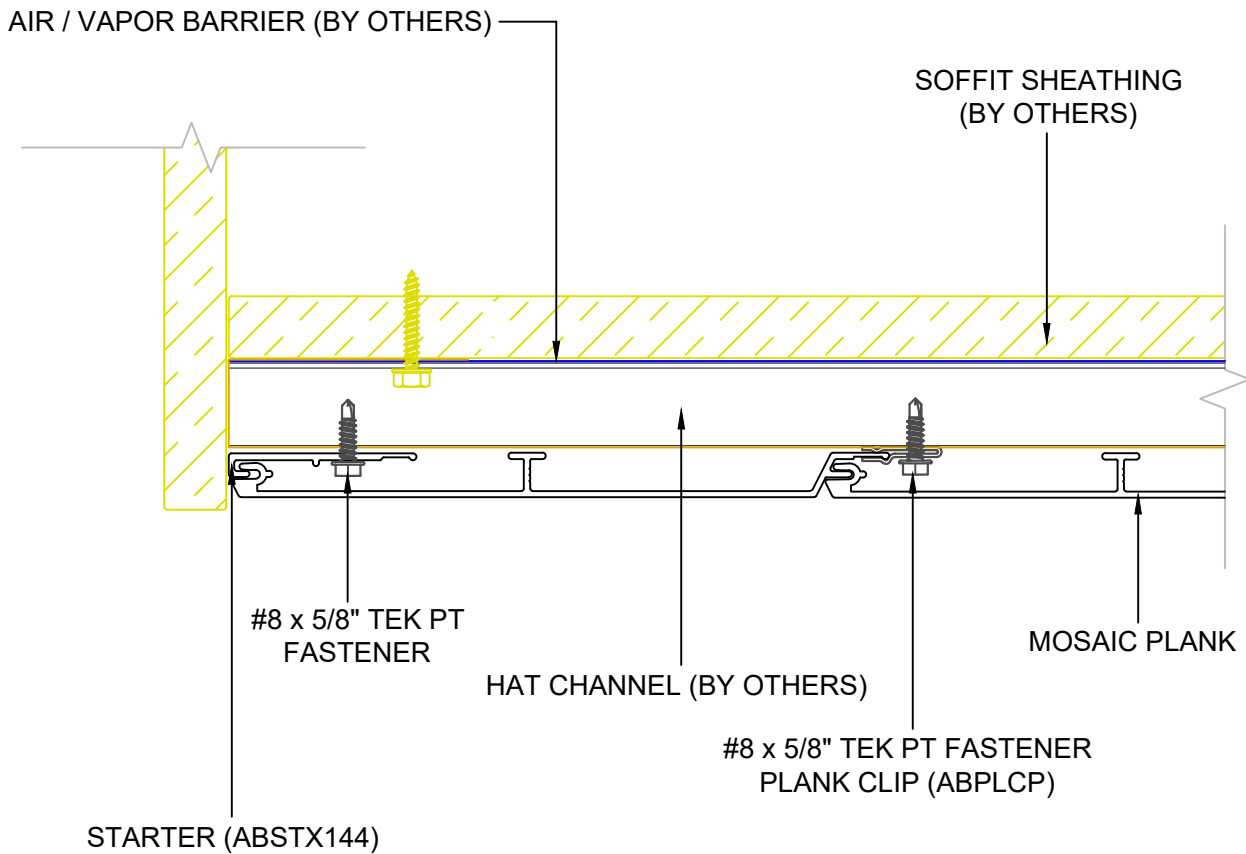
SCALE: NTS  
 10/18/23  
 SYSTEM = MOSAIC

# E3

**\*\*ALL DETAILS SHOW MOSAIC ATTACHED TO HAT CHANNELS OVER SOLID SUBSTRATE\*\***  
**\*\*REFERENCE LOAD SPAN TABLES FOR ALL ATTACHMENT TYPES, ANCHOR TYPES, & ANCHOR SPACING\*\***

INSTALLATION OPTIONS ARE:

- 1) OPEN FRAMING - WOOD OR METAL STUDS
- 2) WOOD SHEATHING
- 3) HAT CHANNEL OVER SHEATHING WITHOUT OR WITH A \*VAPOR BARRIER (\*RECOMMENDED FOR WALLS)



2529 W. Jackson St.  
Phoenix, AZ 85298  
PHONE: (602) 275-1676  
FAX: (602) 275-1739

## STARTER BASE @ SOFFIT

SCALE: NTS

10/18/23

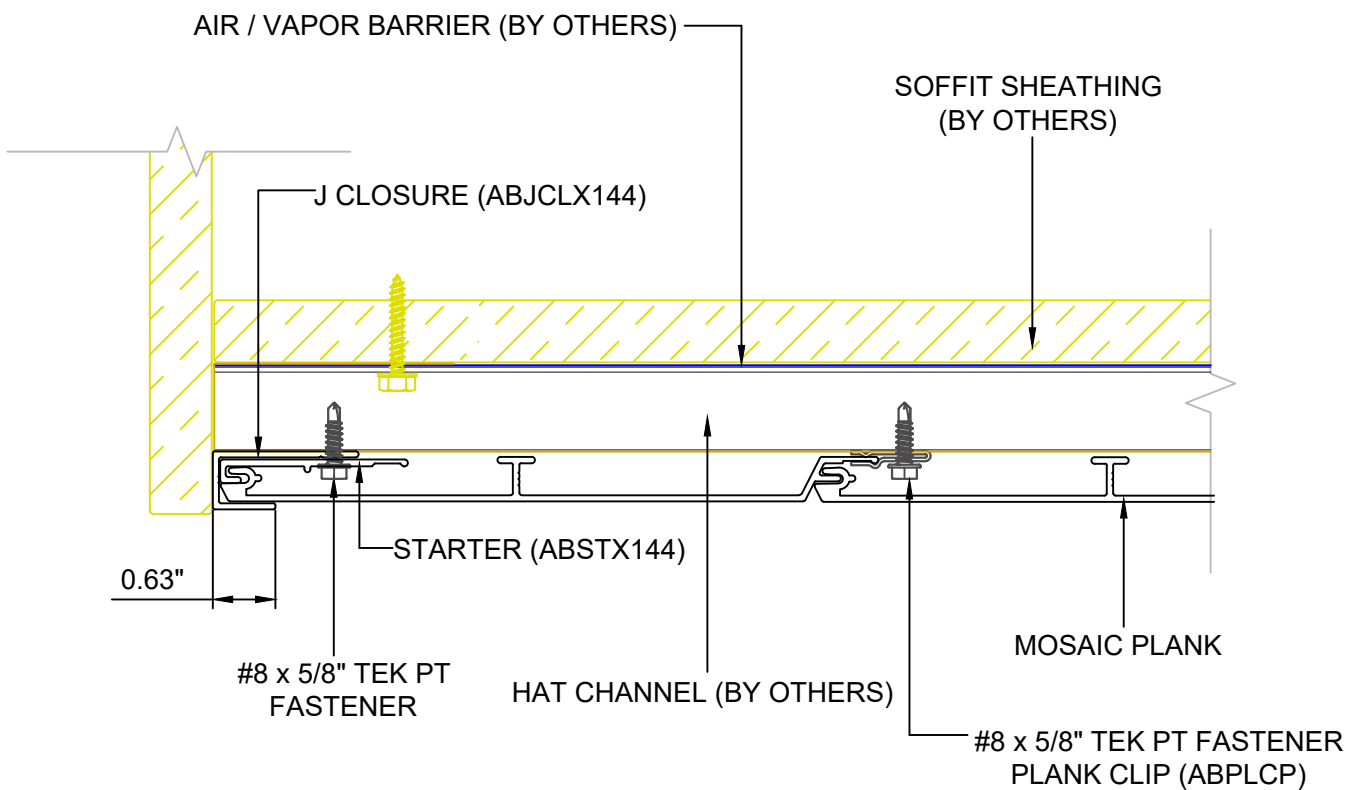
SYSTEM = MOSAIC

300

**\*\*ALL DETAILS SHOW MOSAIC ATTACHED TO HAT CHANNELS OVER SOLID SUBSTRATE\*\***  
**\*\*REFERENCE LOAD SPAN TABLES FOR ALL ATTACHMENT TYPES, ANCHOR TYPES, & ANCHOR SPACING\*\***

INSTALLATION OPTIONS ARE:

- 1) OPEN FRAMING - WOOD OR METAL STUDS
- 2) WOOD SHEATHING
- 3) HAT CHANNEL OVER SHEATHING WITHOUT OR WITH A \*VAPOR BARRIER (\*RECOMMENDED FOR WALLS)



2529 W. Jackson St.  
 Phoenix, AZ 85298  
 PHONE: (602) 275-1676  
 FAX: (602) 275-1739

## J-CLOSURE & STARTER @ SOFFIT

301

SCALE: NTS

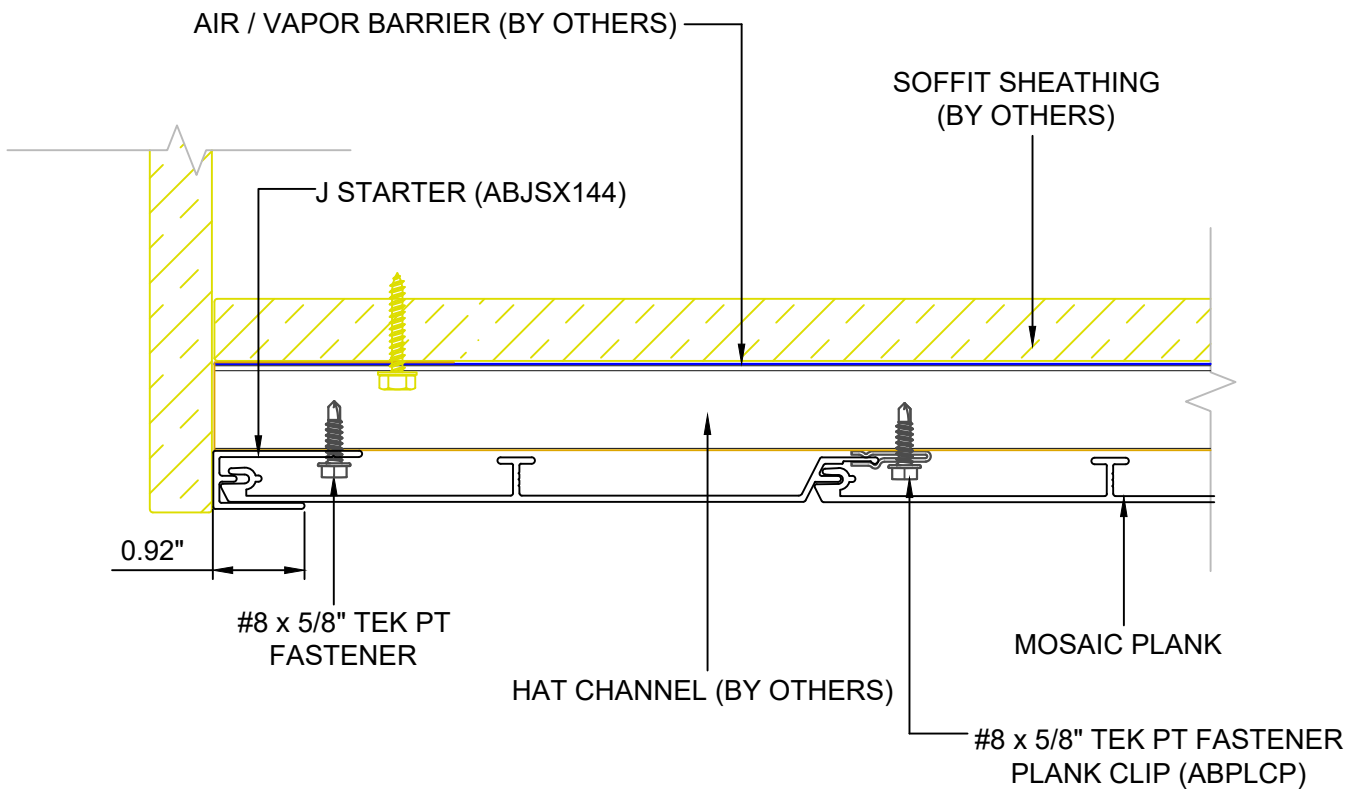
10/18/23

SYSTEM = MOSAIC

**\*\*ALL DETAILS SHOW MOSAIC ATTACHED TO HAT CHANNELS OVER SOLID SUBSTRATE\*\***  
**\*\*REFERENCE LOAD SPAN TABLES FOR ALL ATTACHMENT TYPES, ANCHOR TYPES, & ANCHOR SPACING\*\***

INSTALLATION OPTIONS ARE:

- 1) OPEN FRAMING - WOOD OR METAL STUDS
- 2) WOOD SHEATHING
- 3) HAT CHANNEL OVER SHEATHING WITHOUT OR WITH A \*VAPOR BARRIER (\*RECOMMENDED FOR WALLS)



2529 W. Jackson St.  
Phoenix, AZ 85298  
PHONE: (602) 275-1676  
FAX: (602) 275-1739

## J-STARTER @ SOFFIT

SCALE: NTS

10/18/23

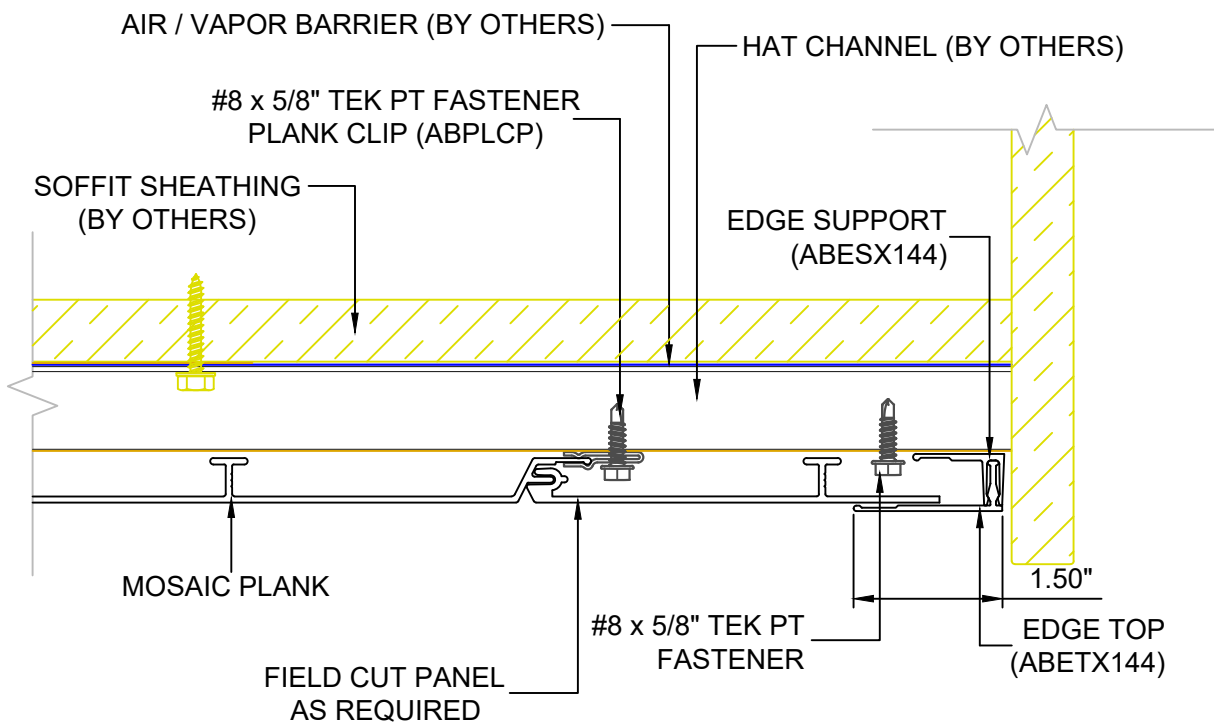
SYSTEM = MOSAIC

302

**\*\*ALL DETAILS SHOW MOSAIC ATTACHED TO HAT CHANNELS OVER SOLID SUBSTRATE\*\***  
**\*\*REFERENCE LOAD SPAN TABLES FOR ALL ATTACHMENT TYPES, ANCHOR TYPES, & ANCHOR SPACING\*\***

INSTALLATION OPTIONS ARE:

- 1) OPEN FRAMING - WOOD OR METAL STUDS
- 2) WOOD SHEATHING
- 3) HAT CHANNEL OVER SHEATHING WITHOUT OR WITH A \*VAPOR BARRIER (\*RECOMMENDED FOR WALLS)



2529 W. Jackson St.  
 Phoenix, AZ 85298  
 PHONE: (602) 275-1676  
 FAX: (602) 275-1739

## EDGE SUPPORT @ SOFFIT

303

SCALE: NTS

10/18/23

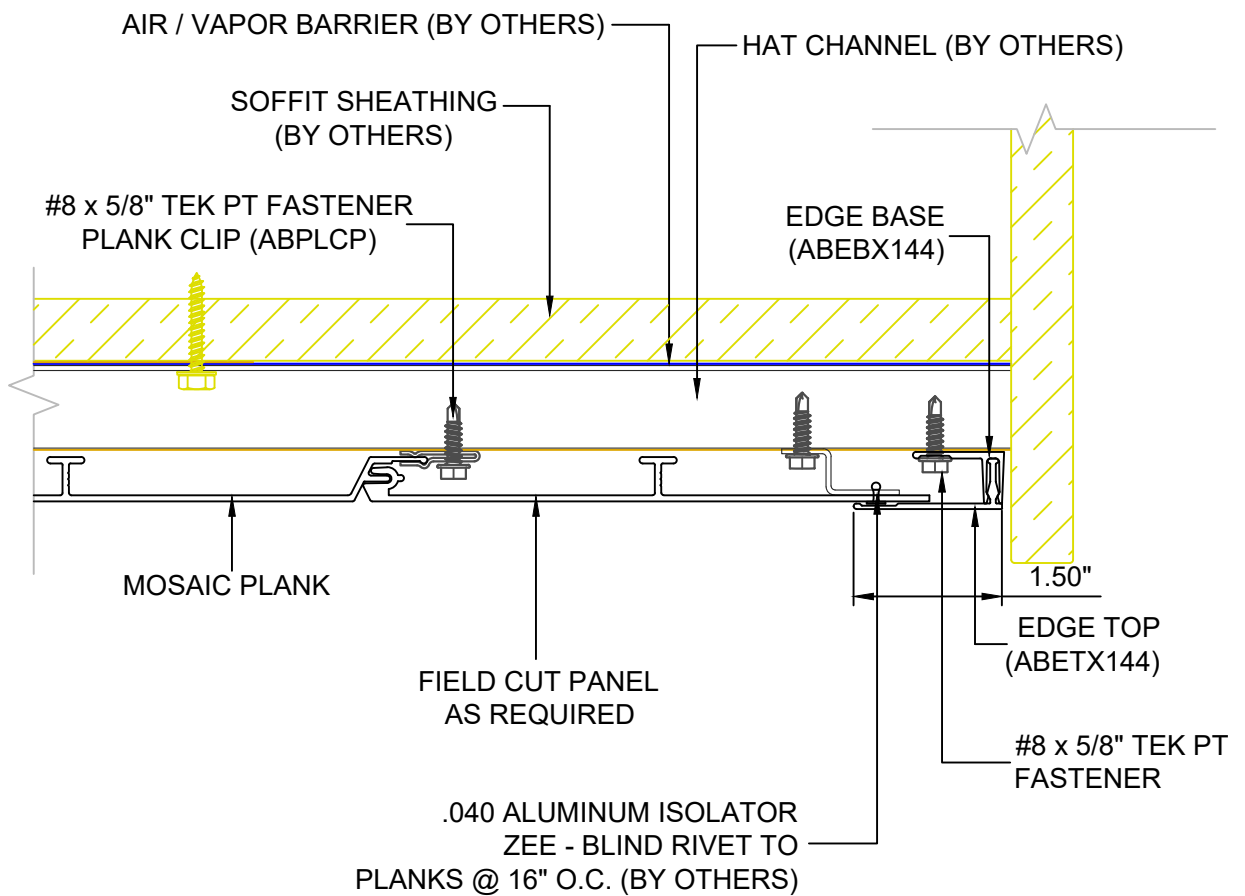
SYSTEM = MOSAIC

**\*\*ALL DETAILS SHOW MOSAIC ATTACHED TO HAT CHANNELS OVER SOLID SUBSTRATE\*\***

**\*\*REFERENCE LOAD SPAN TABLES FOR ALL ATTACHMENT TYPES, ANCHOR TYPES, & ANCHOR SPACING\*\***

INSTALLATION OPTIONS ARE:

- 1) OPEN FRAMING - WOOD OR METAL STUDS
- 2) WOOD SHEATHING
- 3) HAT CHANNEL OVER SHEATHING WITHOUT OR WITH A \*VAPOR BARRIER (\*RECOMMENDED FOR WALLS)



2529 W. Jackson St.  
Phoenix, AZ 85298

PHONE: (602) 275-1676  
FAX: (602) 275-1739

## EDGE BASE & TOP @ SOFFIT

SCALE: NTS

10/18/23

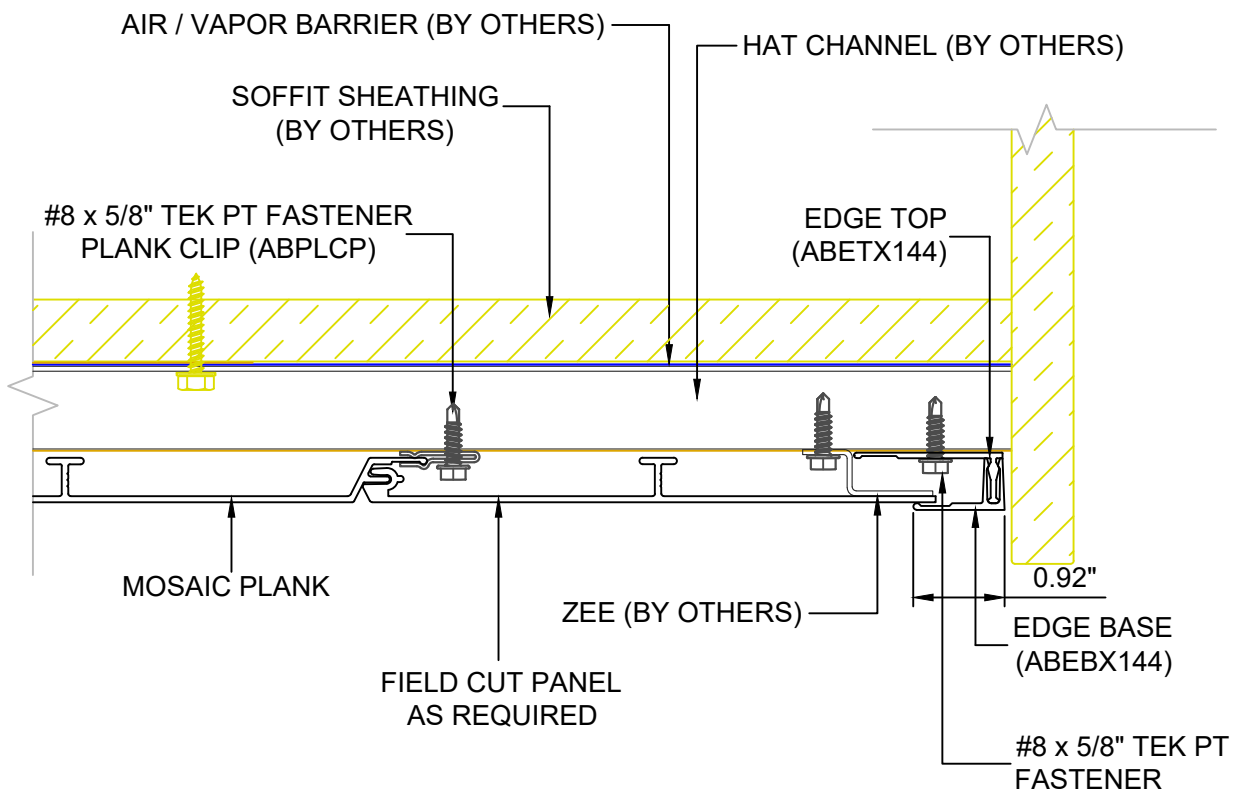
SYSTEM = MOSAIC

304

**\*\*ALL DETAILS SHOW MOSAIC ATTACHED TO HAT CHANNELS OVER SOLID SUBSTRATE\*\***  
**\*\*REFERENCE LOAD SPAN TABLES FOR ALL ATTACHMENT TYPES, ANCHOR TYPES, & ANCHOR SPACING\*\***

INSTALLATION OPTIONS ARE:

- 1) OPEN FRAMING - WOOD OR METAL STUDS
- 2) WOOD SHEATHING
- 3) HAT CHANNEL OVER SHEATHING WITHOUT OR WITH A \*VAPOR BARRIER (\*RECOMMENDED FOR WALLS)



2529 W. Jackson St.  
 Phoenix, AZ 85298  
 PHONE: (602) 275-1676  
 FAX: (602) 275-1739

## EDGE BASE & TOP RVRS @ SOFFIT

305

SCALE: NTS

10/18/23

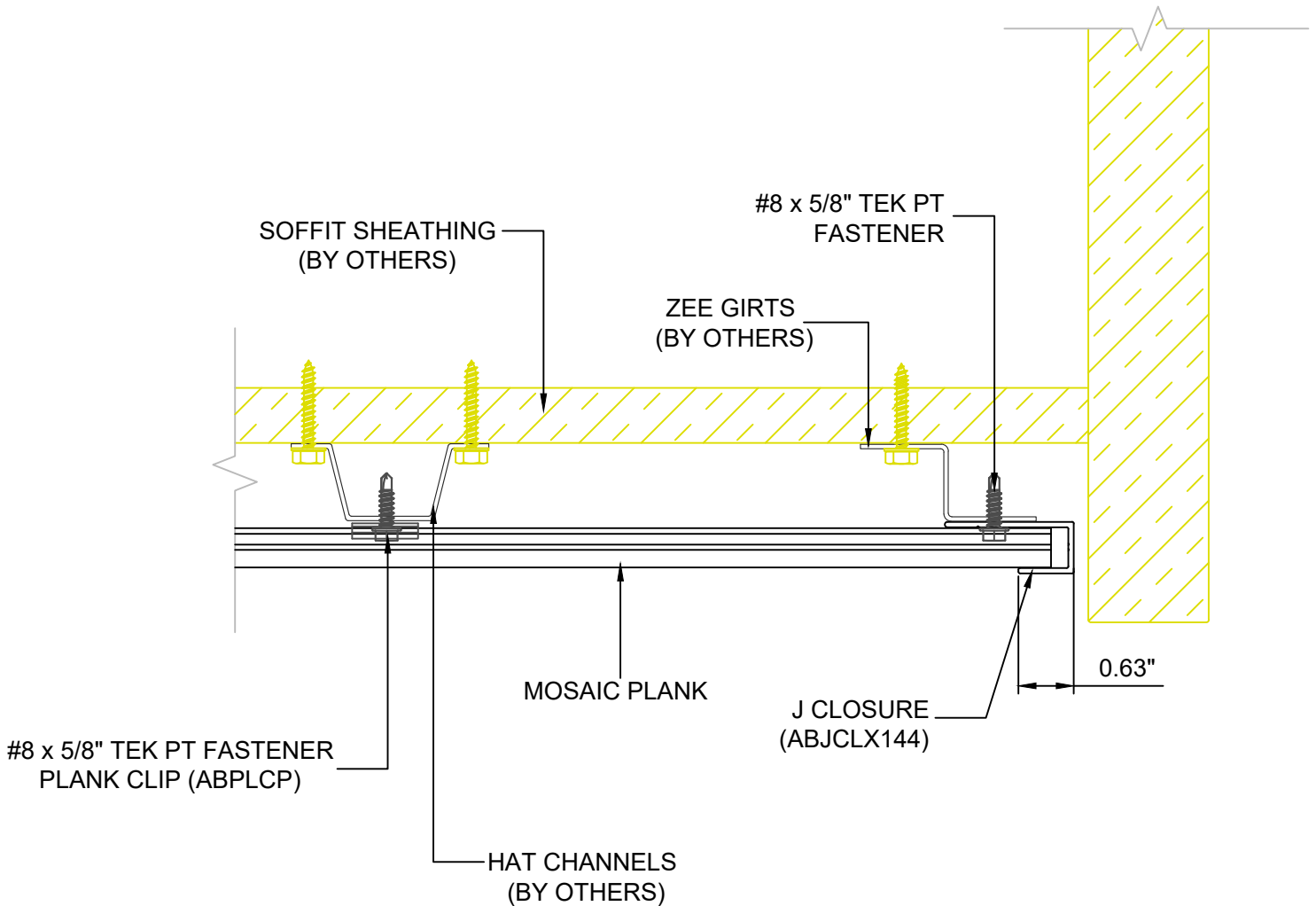
SYSTEM = MOSAIC



**\*\*ALL DETAILS SHOW MOSAIC ATTACHED TO HAT CHANNELS OVER SOLID SUBSTRATE\*\***  
**\*\*REFERENCE LOAD SPAN TABLES FOR ALL ATTACHMENT TYPES, ANCHOR TYPES, & ANCHOR SPACING\*\***

INSTALLATION OPTIONS ARE:

- 1) OPEN FRAMING - WOOD OR METAL STUDS
- 2) WOOD SHEATHING
- 3) HAT CHANNEL OVER SHEATHING WITHOUT OR WITH A \*VAPOR BARRIER (\*RECOMMENDED FOR WALLS)



NOTE: PLANKS MUST HAVE A JOINT ON WALL TO INSTALL WITH THIS TRIM OR YOU MUST CUT PLANKS EXACT & SLIDE LEFT TO RIGHT TO INSTALL



2529 W. Jackson St.  
 Phoenix, AZ 85298  
 PHONE: (602) 275-1676  
 FAX: (602) 275-1739

## J CLOSURE @ SOFFIT

306

SCALE: NTS

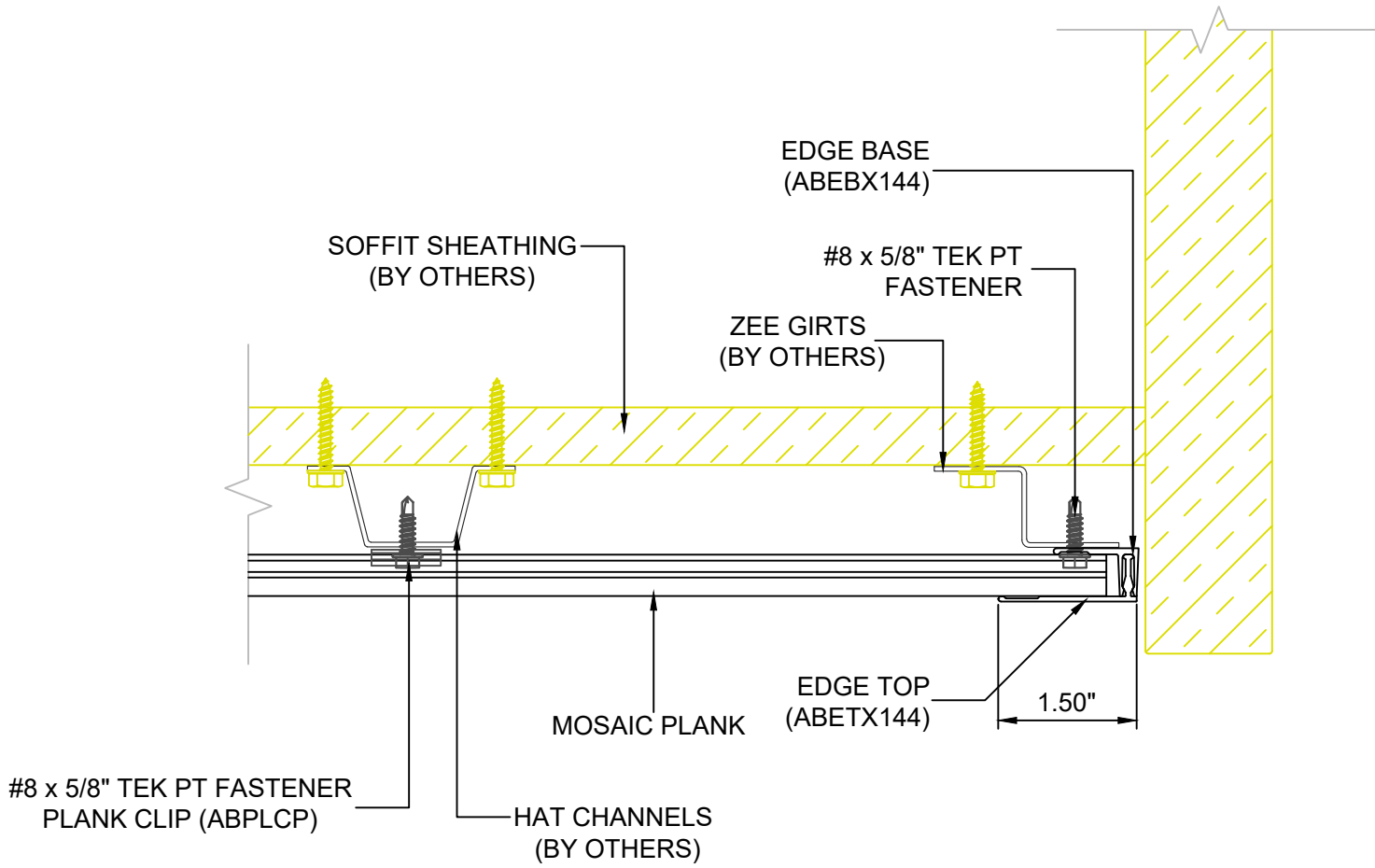
10/18/23

SYSTEM = MOSAIC

**\*\*ALL DETAILS SHOW MOSAIC ATTACHED TO HAT CHANNELS OVER SOLID SUBSTRATE\*\***  
**\*\*REFERENCE LOAD SPAN TABLES FOR ALL ATTACHMENT TYPES, ANCHOR TYPES, & ANCHOR SPACING\*\***

INSTALLATION OPTIONS ARE:

- 1) OPEN FRAMING - WOOD OR METAL STUDS
- 2) WOOD SHEATHING
- 3) HAT CHANNEL OVER SHEATHING WITHOUT OR WITH A \*VAPOR BARRIER (\*RECOMMENDED FOR WALLS)

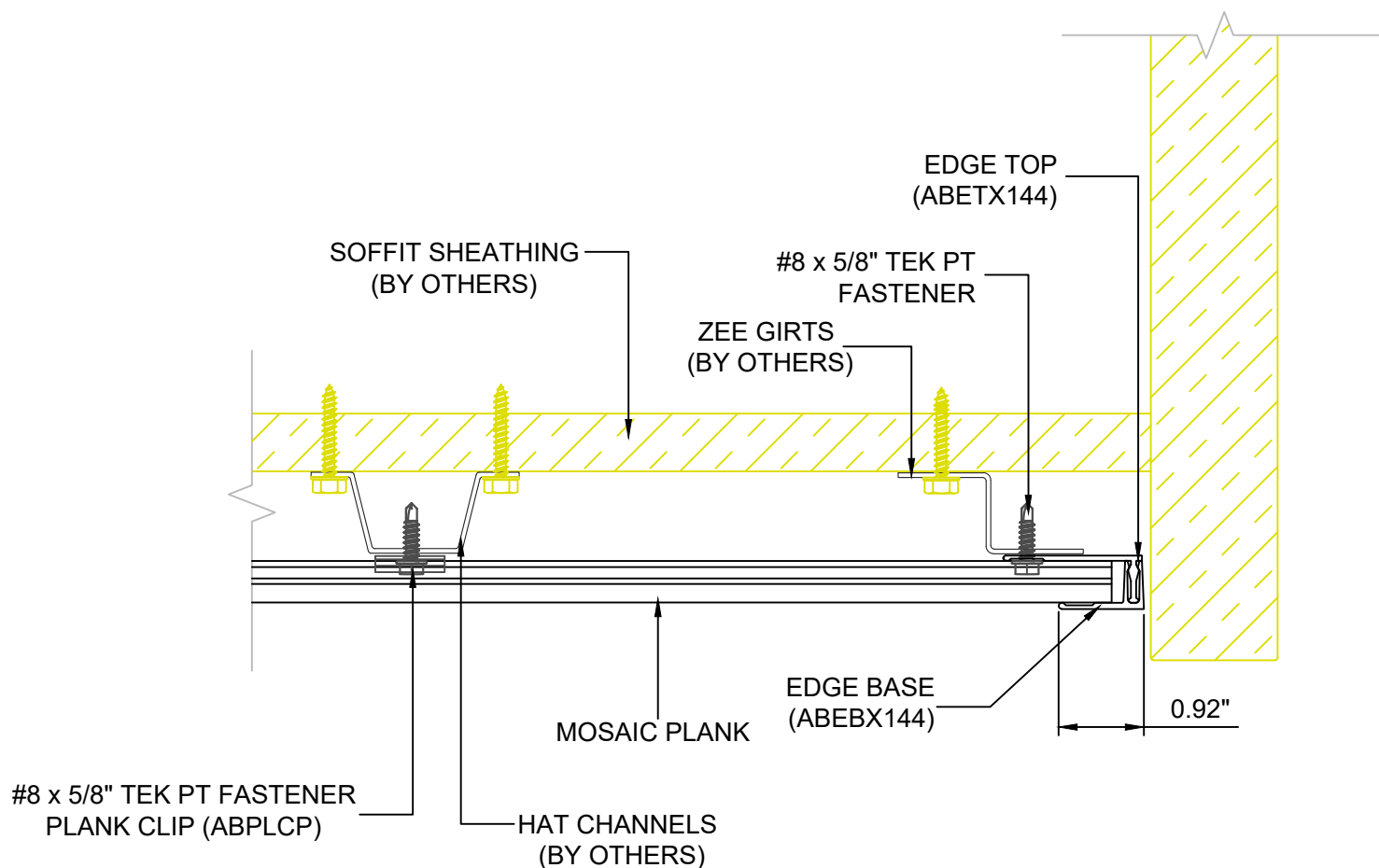


**\*\*ALL DETAILS SHOW MOSAIC ATTACHED TO HAT CHANNELS OVER SOLID SUBSTRATE\*\***

**\*\*REFERENCE LOAD SPAN TABLES FOR ALL ATTACHMENT TYPES, ANCHOR TYPES, & ANCHOR SPACING\*\***

INSTALLATION OPTIONS ARE:

- 1) OPEN FRAMING - WOOD OR METAL STUDS
- 2) WOOD SHEATHING
- 3) HAT CHANNEL OVER SHEATHING WITHOUT OR WITH A \*VAPOR BARRIER (\*RECOMMENDED FOR WALLS)



2529 W. Jackson St.  
Phoenix, AZ 85298  
PHONE: (602) 275-1676  
FAX: (602) 275-1739

## EDGE BASE & TOP RVRS @ SOFFIT

308

SCALE: NTS

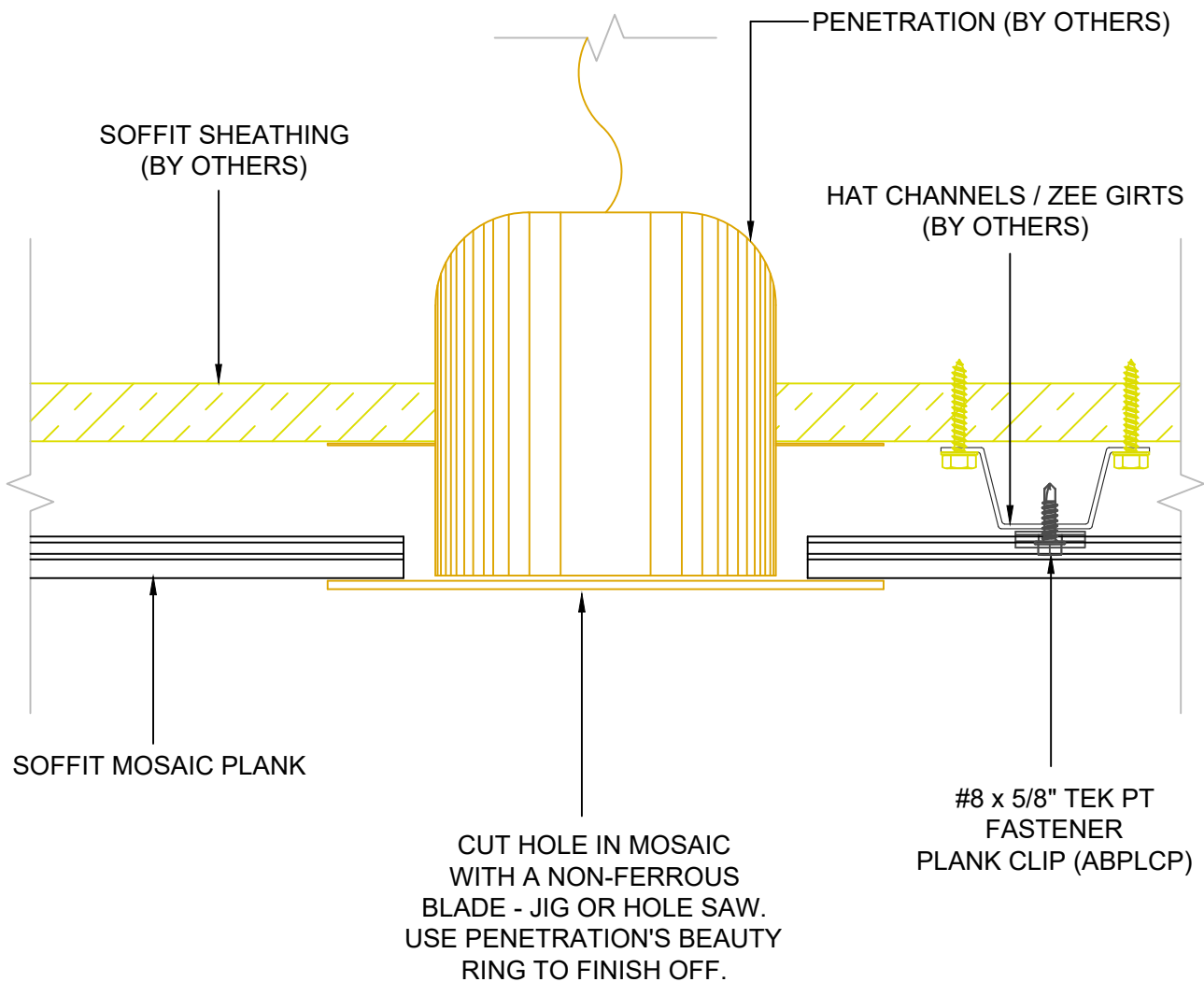
10/18/23

SYSTEM = MOSAIC

**\*\*ALL DETAILS SHOW MOSAIC ATTACHED TO HAT CHANNELS OVER SOLID SUBSTRATE\*\***  
**\*\*REFERENCE LOAD SPAN TABLES FOR ALL ATTACHMENT TYPES, ANCHOR TYPES, & ANCHOR SPACING\*\***

INSTALLATION OPTIONS ARE:

- 1) OPEN FRAMING - WOOD OR METAL STUDS
- 2) WOOD SHEATHING
- 3) HAT CHANNEL OVER SHEATHING WITHOUT OR WITH A \*VAPOR BARRIER (\*RECOMMENDED FOR WALLS)



2529 W. Jackson St.  
 Phoenix, AZ 85298  
 PHONE: (602) 275-1676  
 FAX: (602) 275-1739

## PENETRATION #1

309

SCALE: NTS

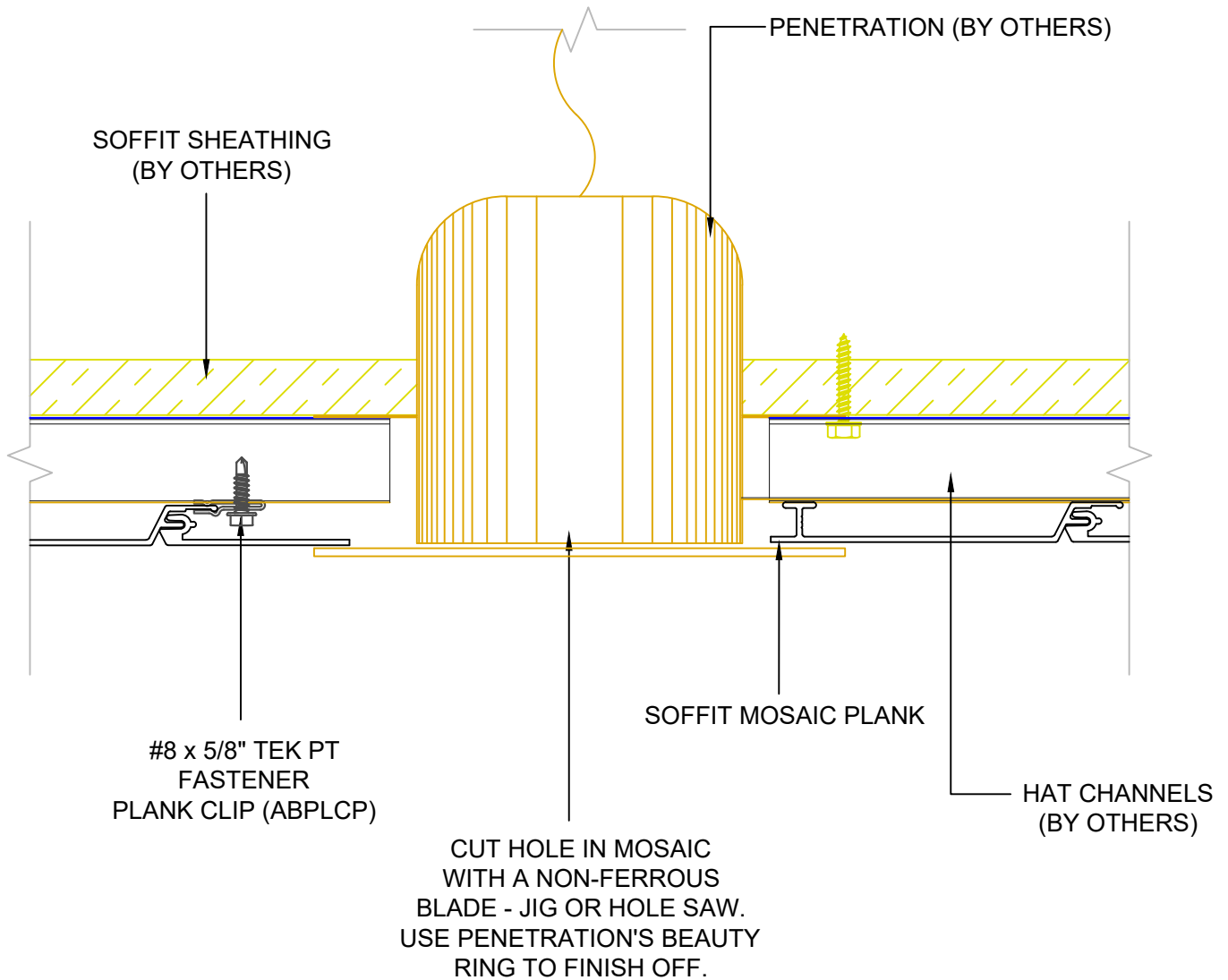
10/18/23

SYSTEM = MOSAIC

**\*\*ALL DETAILS SHOW MOSAIC ATTACHED TO HAT CHANNELS OVER SOLID SUBSTRATE\*\***  
**\*\*REFERENCE LOAD SPAN TABLES FOR ALL ATTACHMENT TYPES, ANCHOR TYPES, & ANCHOR SPACING\*\***

INSTALLATION OPTIONS ARE:

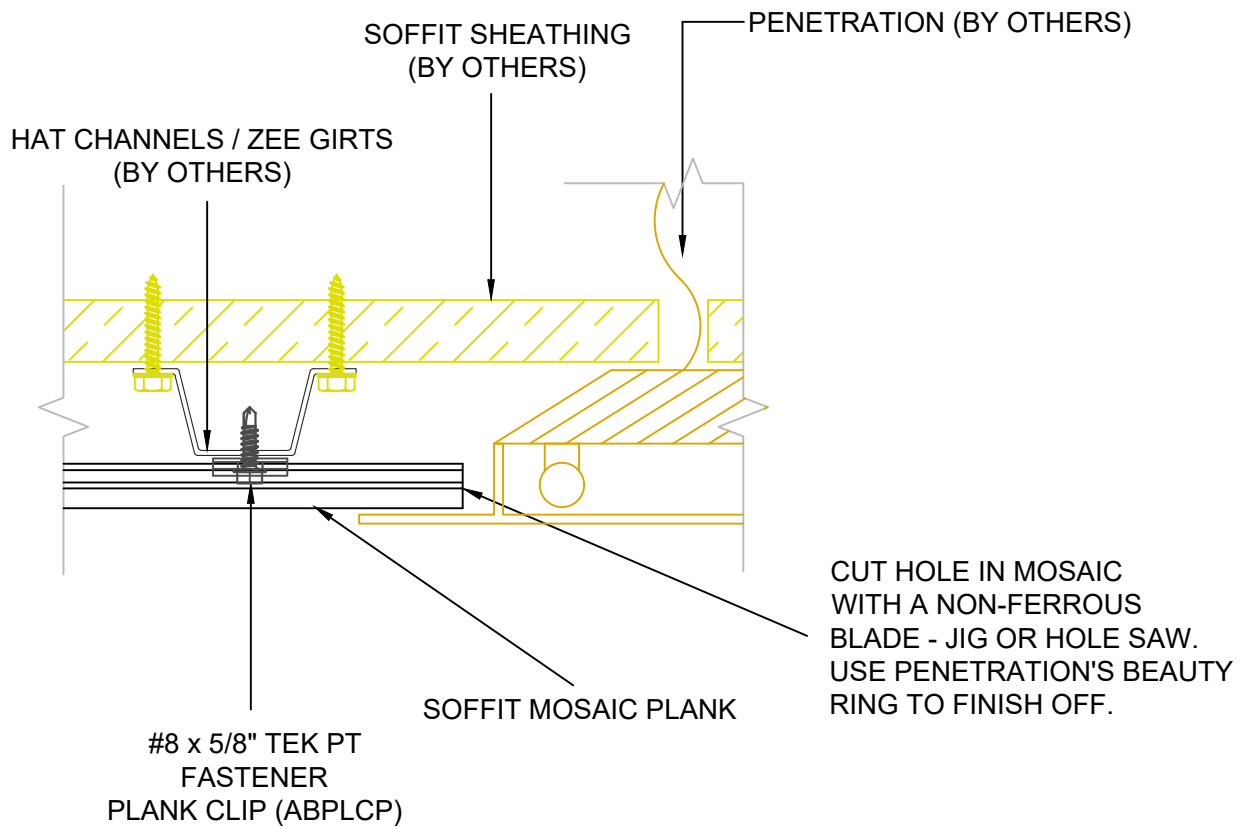
- 1) OPEN FRAMING - WOOD OR METAL STUDS
- 2) WOOD SHEATHING
- 3) HAT CHANNEL OVER SHEATHING WITHOUT OR WITH A \*VAPOR BARRIER (\*RECOMMENDED FOR WALLS)



**\*\*ALL DETAILS SHOW MOSAIC ATTACHED TO HAT CHANNELS OVER SOLID SUBSTRATE\*\***  
**\*\*REFERENCE LOAD SPAN TABLES FOR ALL ATTACHMENT TYPES, ANCHOR TYPES, & ANCHOR SPACING\*\***

INSTALLATION OPTIONS ARE:

- 1) OPEN FRAMING - WOOD OR METAL STUDS
- 2) WOOD SHEATHING
- 3) HAT CHANNEL OVER SHEATHING WITHOUT OR WITH A \*VAPOR BARRIER (\*RECOMMENDED FOR WALLS)



**\*\*ALL DETAILS SHOW MOSAIC ATTACHED TO HAT CHANNELS OVER SOLID SUBSTRATE\*\***  
**\*\*REFERENCE LOAD SPAN TABLES FOR ALL ATTACHMENT TYPES, ANCHOR TYPES, & ANCHOR SPACING\*\***

INSTALLATION OPTIONS ARE:

- 1) OPEN FRAMING - WOOD OR METAL STUDS
- 2) WOOD SHEATHING
- 3) HAT CHANNEL OVER SHEATHING WITHOUT OR WITH A \*VAPOR BARRIER (\*RECOMMENDED FOR WALLS)

