

INDEX

HORIZONTAL WALL

I - INDEX

E1- ELEVATION

- 100- HORIZONTAL @ STARTER BASE**
- 101- HORIZONTAL @ J-CLOSURE BASE**
- 102- HORIZONTAL @ J-STARTER BASE**
- 103- HORIZONTAL @ CEILING EDGE SUPPORT**
- 104- HORIZONTAL @ EDGE @ PARAPET**
- 105- HORIZONTAL EDGE SUPPORT @ PARAPET**
- 106- HORIZONTAL EDGE @ BASE & TOP ASSEMBLY**
- 107- HORIZONTAL EDGE @ BASE & TOP REVERSED**
- 108- HORIZONTAL END @ J-CLOSURE**
- 109- HORIZONTAL JAMB EDGE BASE & TOP ASSEMBLY**
- 110- HORIZONTAL JAMB EDGE BASE & TOP REVERSED**
- 111- HORIZONTAL JAMB J-CLOSURE**
- 112- HORIZONTAL HEAD @ STARTER**
- 113- HORIZONTAL HEAD @ EDGE SUPPORT & TOP**
- 114- HORIZONTAL HEAD @ J-CLOSURE**
- 115- HORIZONTAL HEAD @ J-CLOSURE**
- 116- HORIZONTAL HEAD @ J-STARTER**
- 117- HORIZONTAL HEAD @ J-STARTER**
- 118- HORIZONTAL SILL @ EDGE SUPPORT**
- 119- HORIZONTAL SILL @ EDGE SUPPORT**



2529 W. Jackson St.
Phoenix, AZ 85298

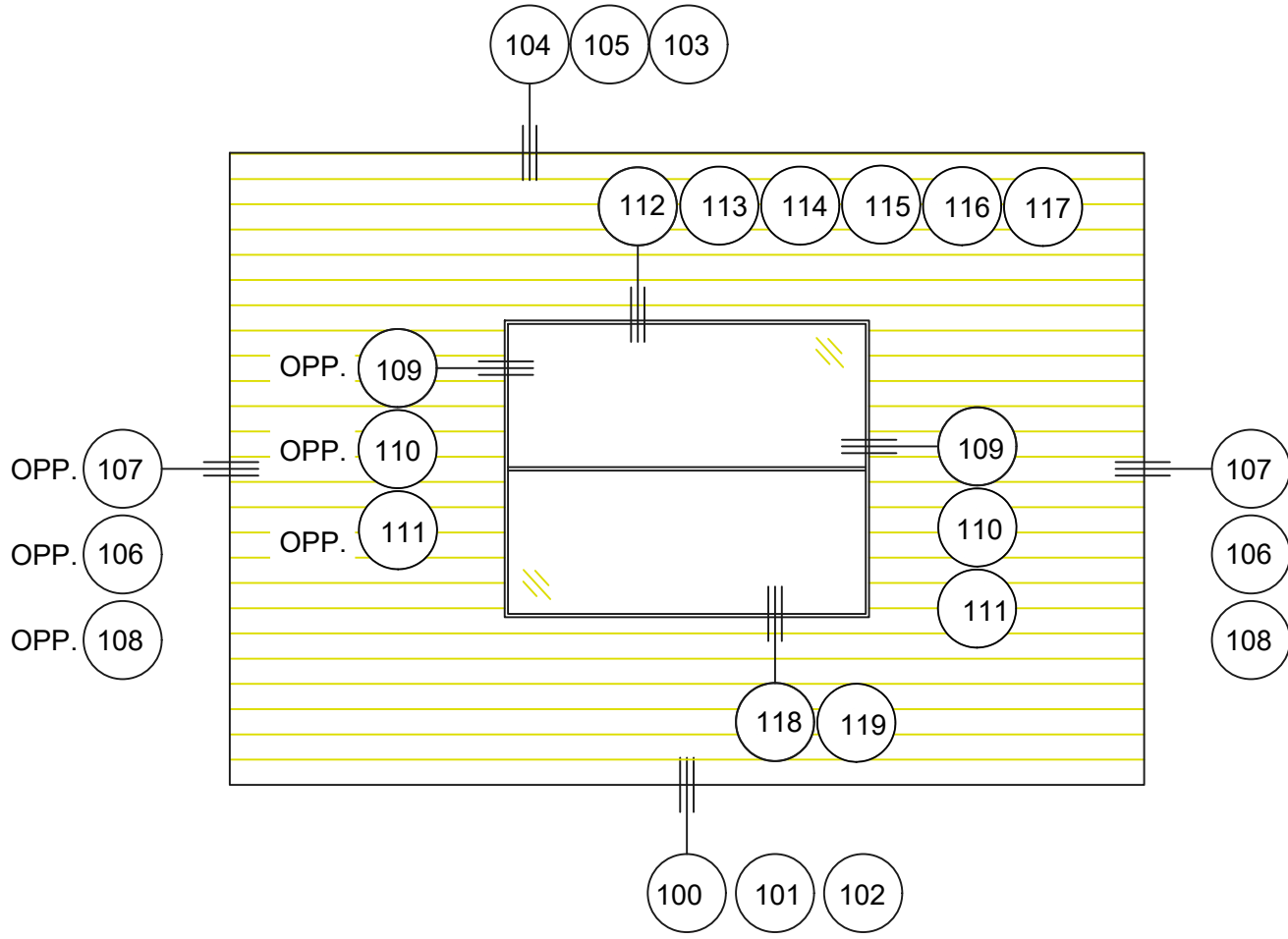
PHONE: (602) 275-1676
FAX: (602) 275-1739

MOSAIC DETAIL INDEX

SCALE: NTS

10/18/23

SYSTEM = MOSAIC



1 WALL 1
E1 SCALE: = NTS
 REF ARCH: N/A

E1

INSTALLATION ELEVATION

SCALE: NTS
 10/18/23
 SYSTEM = MOSAIC

2529 W. Jackson St.
 Phoenix, AZ 85298
 PHONE: (602) 275-1676
 FAX: (602) 275-1739

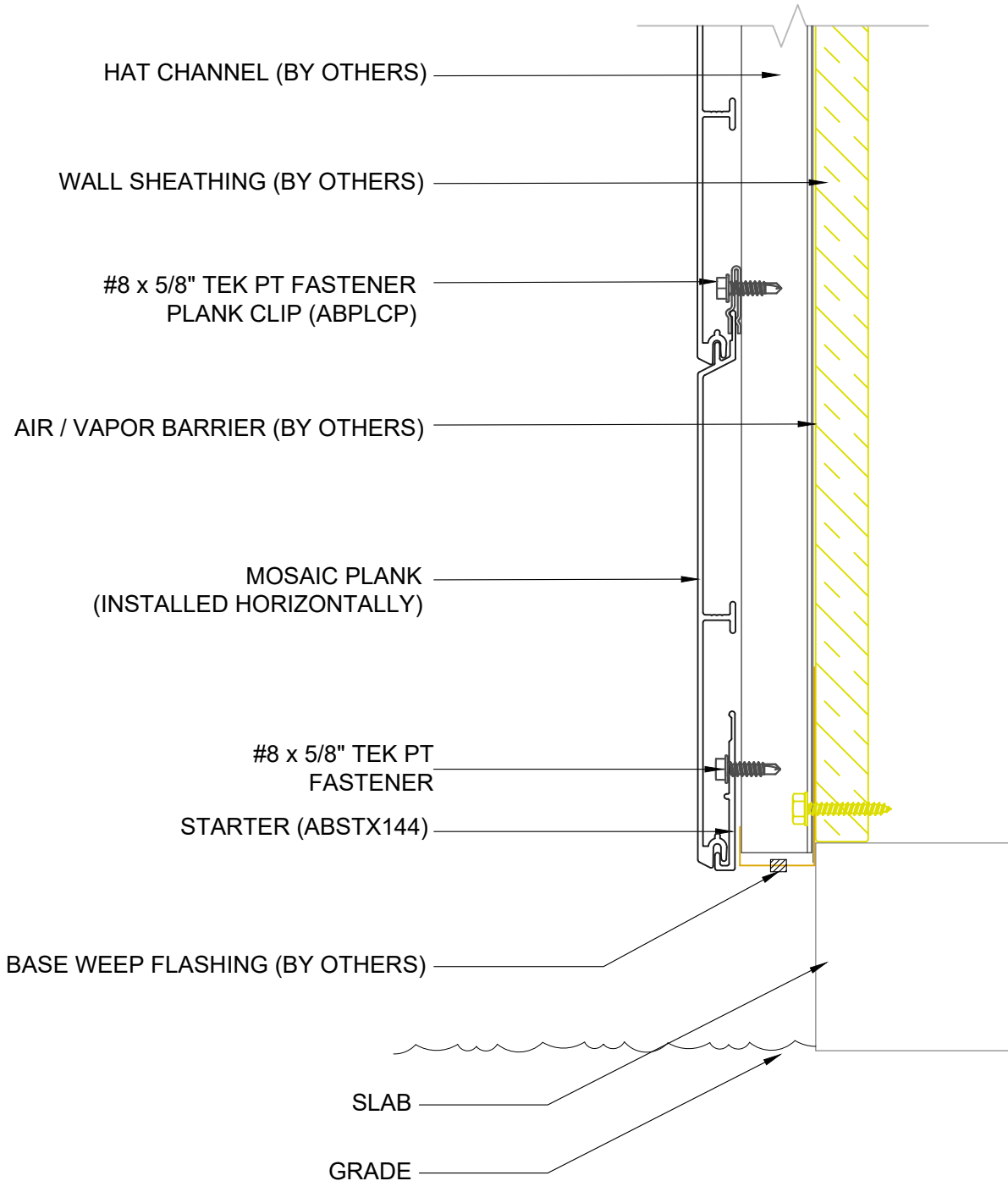


****ALL DETAILS SHOW MOSAIC ATTACHED TO HAT CHANNELS OVER SOLID SUBSTRATE****

****REFERENCE LOAD SPAN TABLES FOR ALL ATTACHMENT TYPES, ANCHOR TYPES, & ANCHOR SPACING****

INSTALLATION OPTIONS ARE:

- 1) OPEN FRAMING - WOOD OR METAL STUDS
- 2) WOOD SHEATHING
- 3) HAT CHANNEL OVER SHEATHING WITHOUT OR WITH A *VAPOR BARRIER (*RECOMMENDED FOR WALLS)



2529 W. Jackson St.
Phoenix, AZ 85298

PHONE: (602) 275-1676
FAX: (602) 275-1739

HORIZONTAL @ STARTER BASE

SCALE: NTS

10/18/23

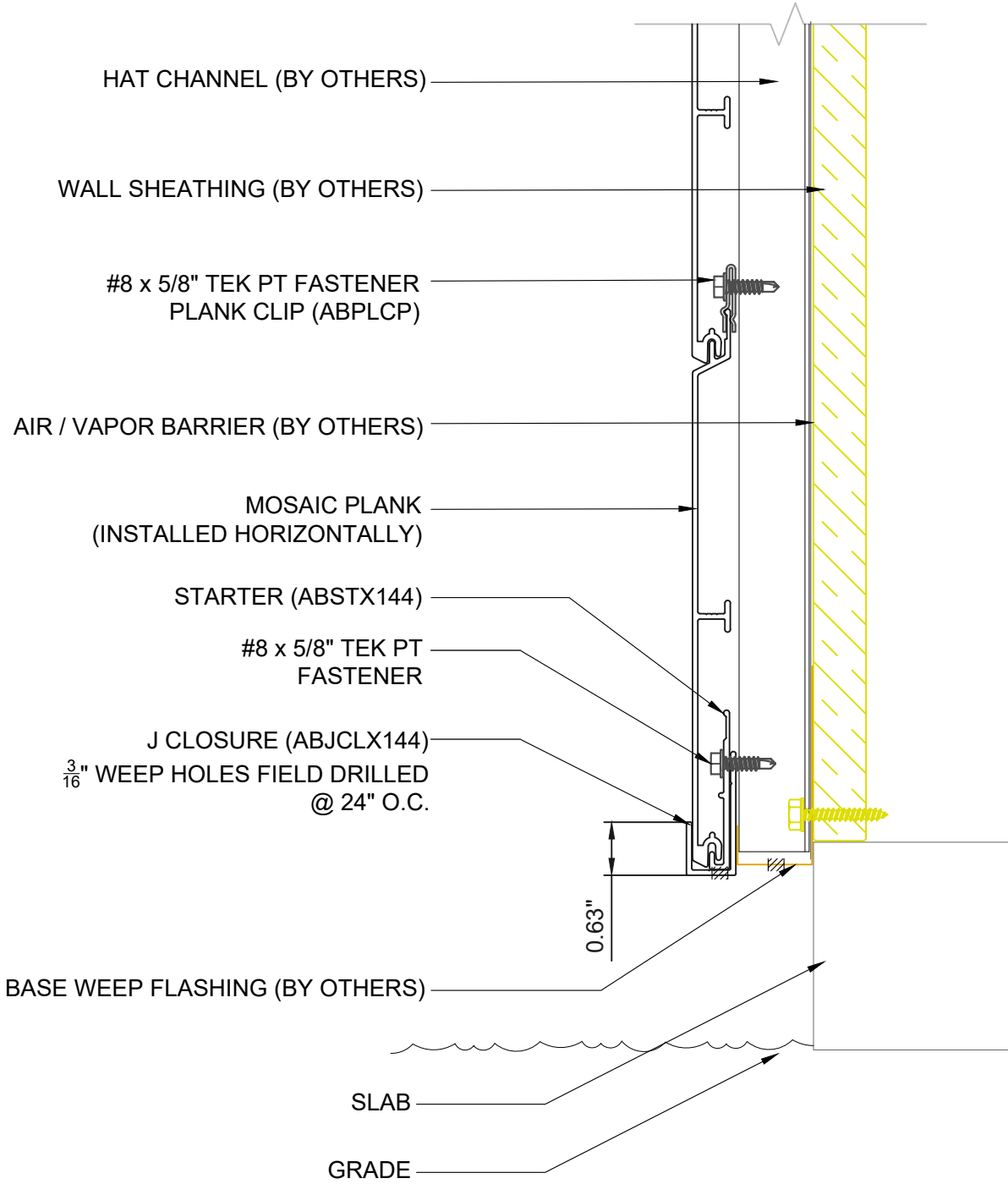
SYSTEM = MOSAIC

100

****ALL DETAILS SHOW MOSAIC ATTACHED TO HAT CHANNELS OVER SOLID SUBSTRATE****
****REFERENCE LOAD SPAN TABLES FOR ALL ATTACHMENT TYPES, ANCHOR TYPES, & ANCHOR SPACING****

INSTALLATION OPTIONS ARE:

- 1) OPEN FRAMING - WOOD OR METAL STUDS
- 2) WOOD SHEATHING
- 3) HAT CHANNEL OVER SHEATHING WITHOUT OR WITH A *VAPOR BARRIER (*RECOMMENDED FOR WALLS)



2529 W. Jackson St.
Phoenix, AZ 85298
PHONE: (602) 275-1676
FAX: (602) 275-1739

HORIZONTAL @ J-CLOSURE

SCALE: NTS

10/18/23

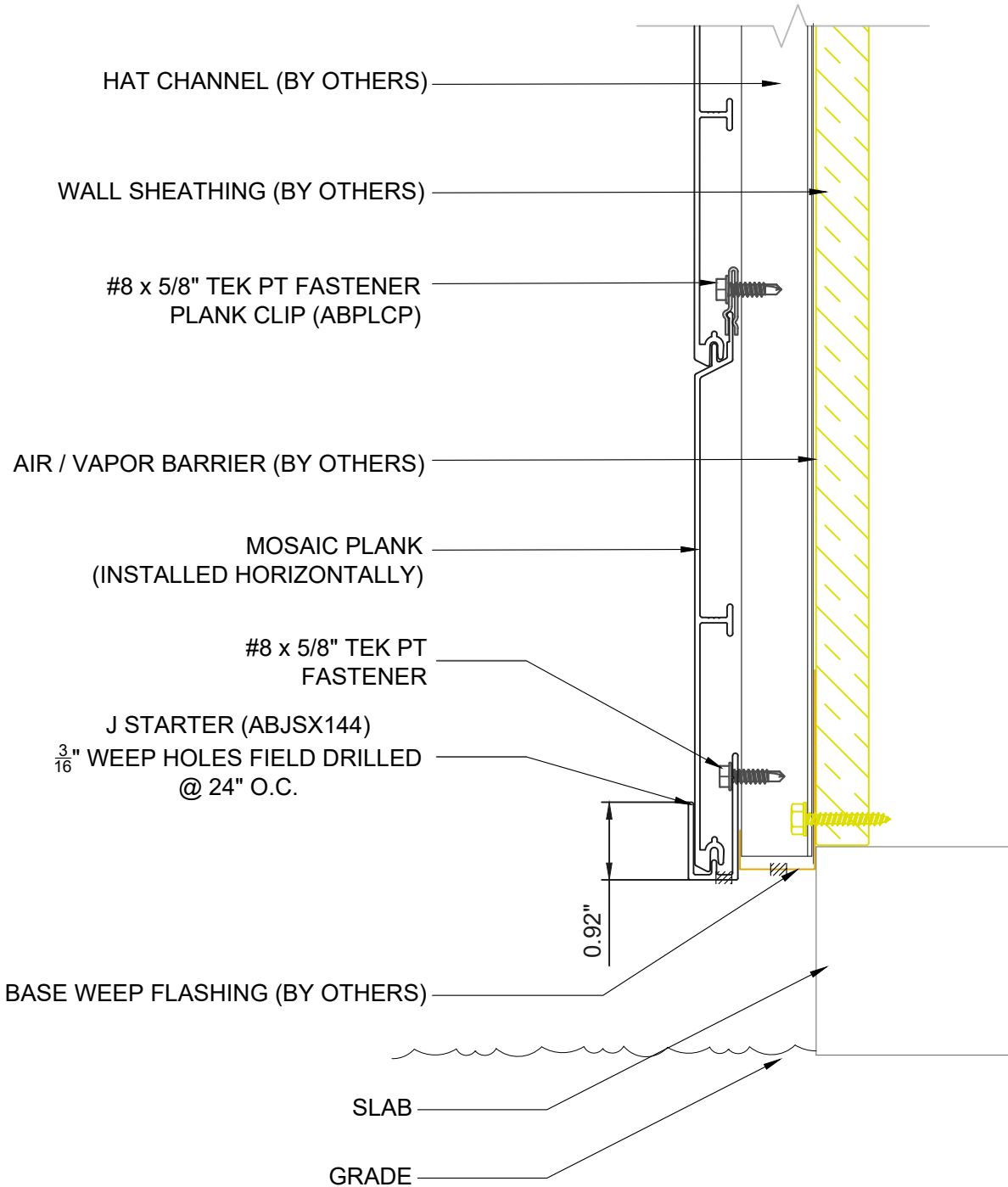
SYSTEM = MOSAIC

101

****ALL DETAILS SHOW MOSAIC ATTACHED TO HAT CHANNELS OVER SOLID SUBSTRATE****
****REFERENCE LOAD SPAN TABLES FOR ALL ATTACHMENT TYPES, ANCHOR TYPES, & ANCHOR SPACING****

INSTALLATION OPTIONS ARE:

- 1) OPEN FRAMING - WOOD OR METAL STUDS
- 2) WOOD SHEATHING
- 3) HAT CHANNEL OVER SHEATHING WITHOUT OR WITH A *VAPOR BARRIER (*RECOMMENDED FOR WALLS)



2529 W. Jackson St.
Phoenix, AZ 85298
PHONE: (602) 275-1676
FAX: (602) 275-1739

HORIZONTAL @ J-STARTER

SCALE: NTS

10/18/23

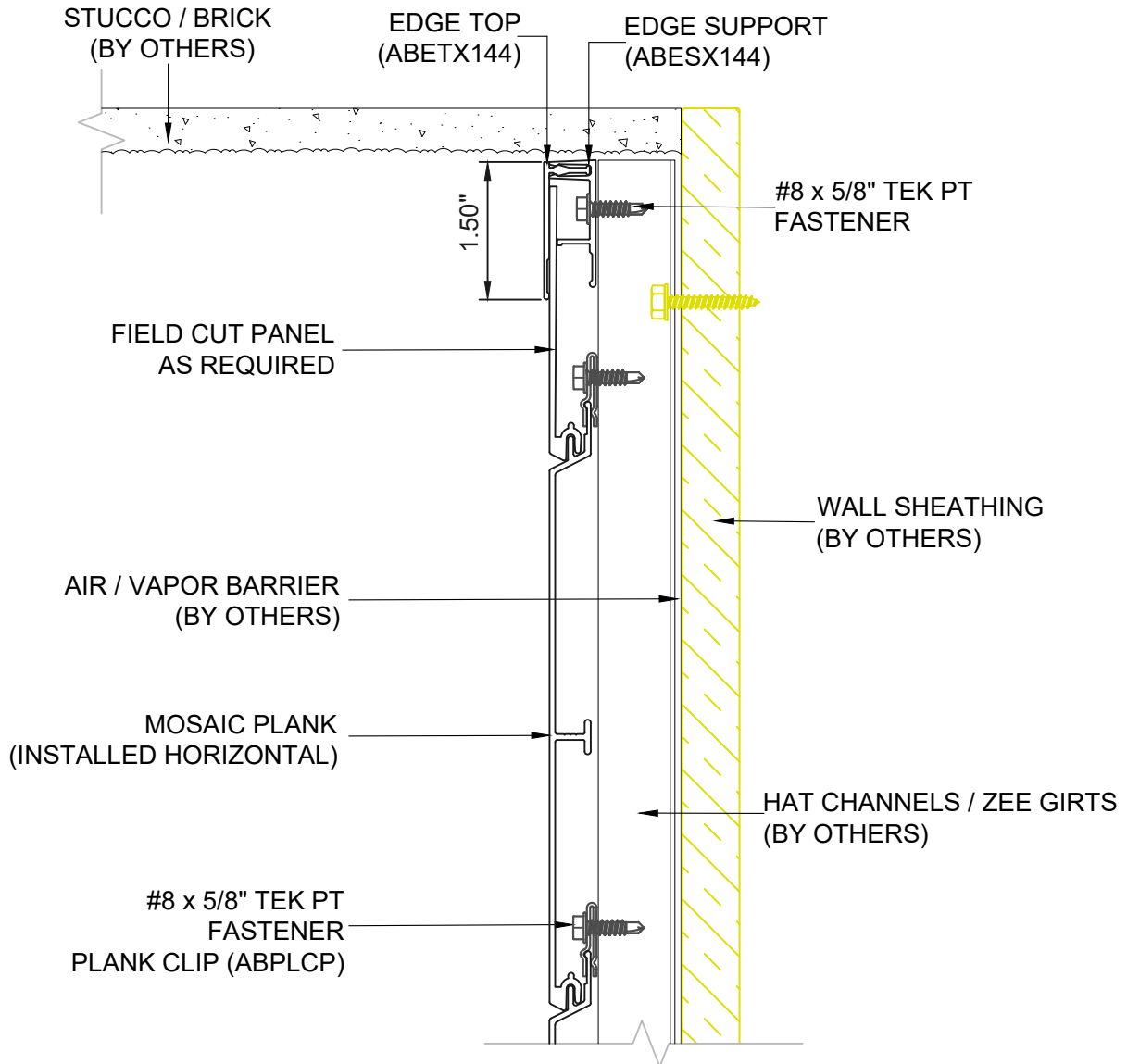
SYSTEM = MOSAIC

102

****ALL DETAILS SHOW MOSAIC ATTACHED TO HAT CHANNELS OVER SOLID SUBSTRATE****
****REFERENCE LOAD SPAN TABLES FOR ALL ATTACHMENT TYPES, ANCHOR TYPES, & ANCHOR SPACING****

INSTALLATION OPTIONS ARE:

- 1) OPEN FRAMING - WOOD OR METAL STUDS
- 2) WOOD SHEATHING
- 3) HAT CHANNEL OVER SHEATHING WITHOUT OR WITH A *VAPOR BARRIER (*RECOMMENDED FOR WALLS)



2529 W. Jackson St.
 Phoenix, AZ 85298

PHONE: (602) 275-1676
 FAX: (602) 275-1739

HORIZONTAL @ CEILING EDGE SUPPORT

103

SCALE: NTS

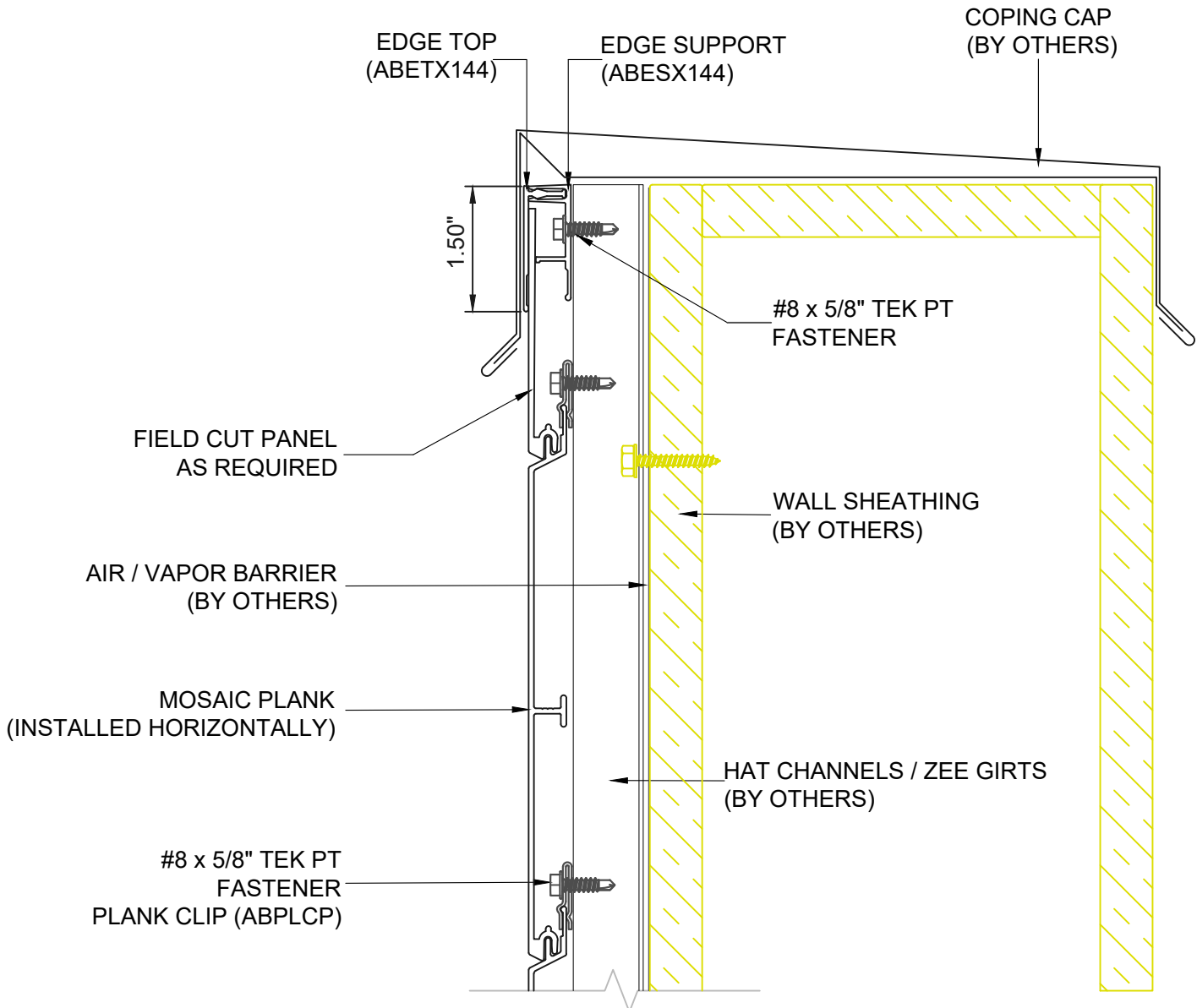
10/18/23

SYSTEM = MOSAIC

****ALL DETAILS SHOW MOSAIC ATTACHED TO HAT CHANNELS OVER SOLID SUBSTRATE****
****REFERENCE LOAD SPAN TABLES FOR ALL ATTACHMENT TYPES, ANCHOR TYPES, & ANCHOR SPACING****

INSTALLATION OPTIONS ARE:

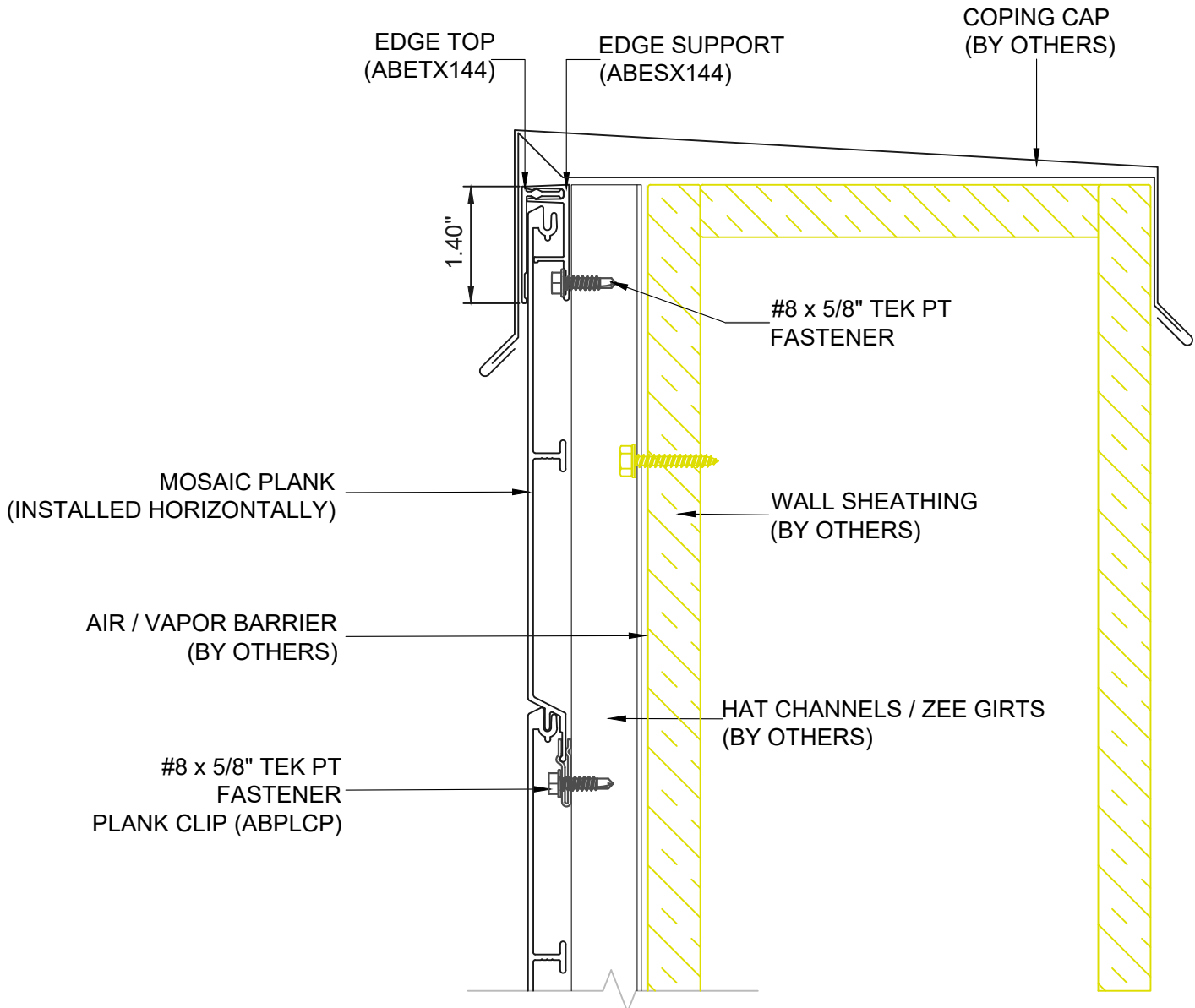
- 1) OPEN FRAMING - WOOD OR METAL STUDS
- 2) WOOD SHEATHING
- 3) HAT CHANNEL OVER SHEATHING WITHOUT OR WITH A *VAPOR BARRIER (*RECOMMENDED FOR WALLS)



****ALL DETAILS SHOW MOSAIC ATTACHED TO HAT CHANNELS OVER SOLID SUBSTRATE****
****REFERENCE LOAD SPAN TABLES FOR ALL ATTACHMENT TYPES, ANCHOR TYPES, & ANCHOR SPACING****

INSTALLATION OPTIONS ARE:

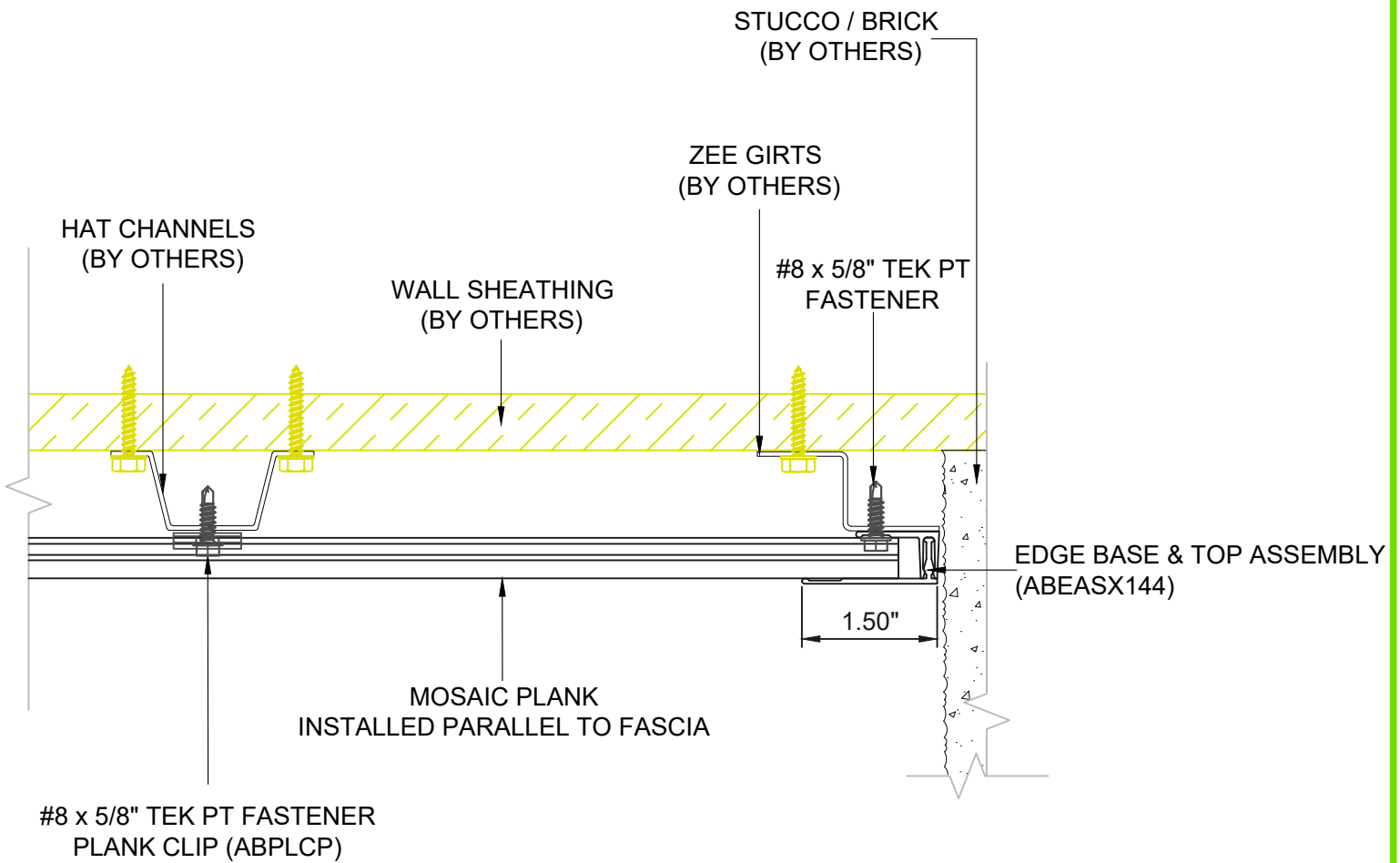
- 1) OPEN FRAMING - WOOD OR METAL STUDS
- 2) WOOD SHEATHING
- 3) HAT CHANNEL OVER SHEATHING WITHOUT OR WITH A *VAPOR BARRIER (*RECOMMENDED FOR WALLS)



****ALL DETAILS SHOW ALUMABOARD ATTACHED TO HAT CHANNELS OVER SOLID SUBSTRATE****
****REFERENCE LOAD SPAN TABLES FOR ALL ATTACHMENT TYPES, ANCHOR TYPES, & ANCHOR SPACING****

INSTALLATION OPTIONS ARE:

- 1) OPEN FRAMING - WOOD OR METAL STUDS
- 2) WOOD SHEATHING
- 3) HAT CHANNEL OVER SHEATHING WITHOUT OR WITH A *VAPOR BARRIER (*RECOMMENDED FOR WALLS)



2529 W. Jackson St.
 Phoenix, AZ 85298

PHONE: (602) 275-1676
 FAX: (602) 275-1739

HORIZ. EDGE @ BASE & TOP ASSY

SCALE: NTS

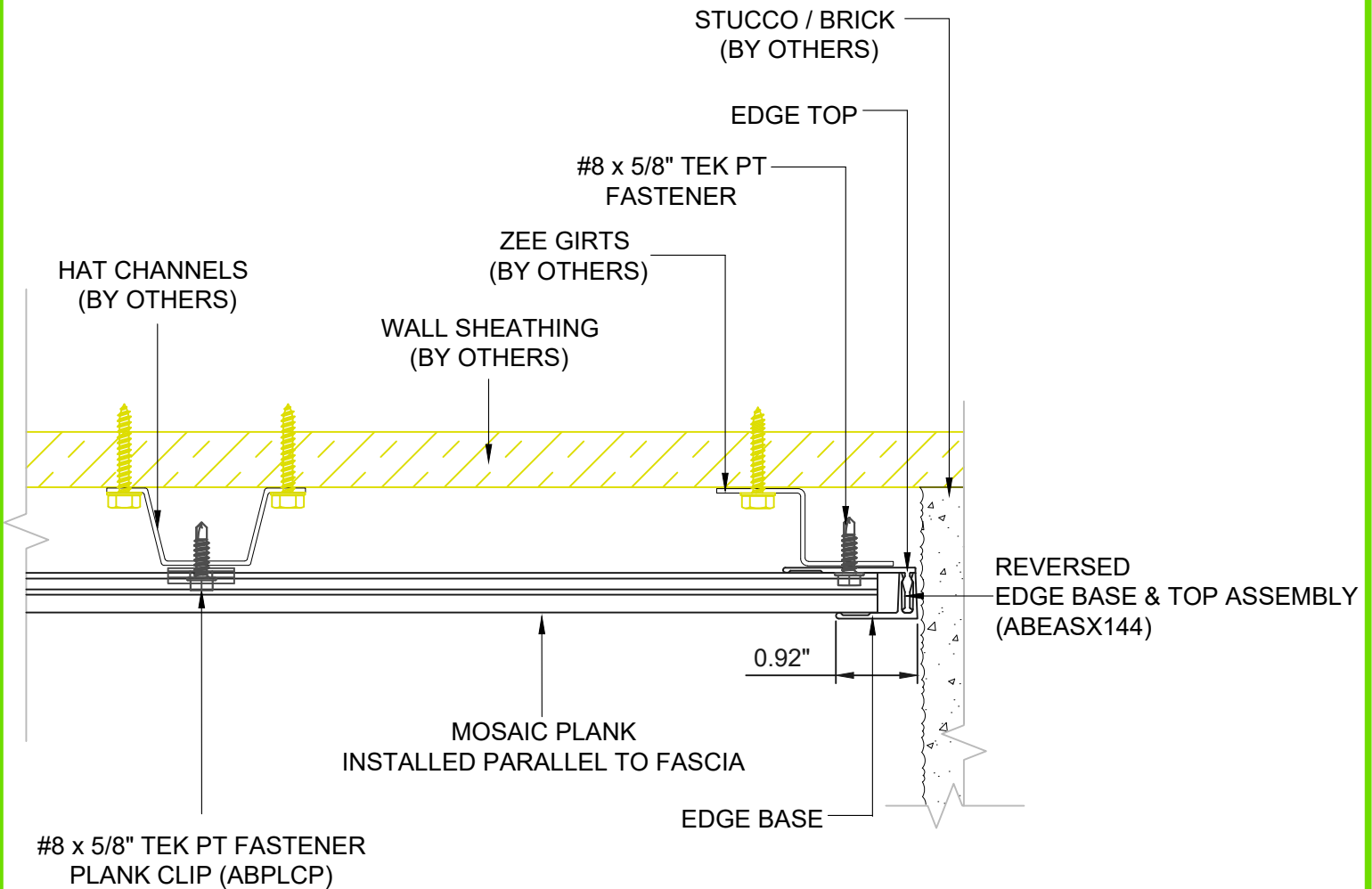
10/18/23

SYSTEM = MOSAIC

****ALL DETAILS SHOW ALUMABOARD ATTACHED TO HAT CHANNELS OVER SOLID SUBSTRATE****
****REFERENCE LOAD SPAN TABLES FOR ALL ATTACHMENT TYPES, ANCHOR TYPES, & ANCHOR SPACING****

INSTALLATION OPTIONS ARE:

- 1) OPEN FRAMING - WOOD OR METAL STUDS
- 2) WOOD SHEATHING
- 3) HAT CHANNEL OVER SHEATHING WITHOUT OR WITH A *VAPOR BARRIER (*RECOMMENDED FOR WALLS)



2529 W. Jackson St.
Phoenix, AZ 85298
PHONE: (602) 275-1676
FAX: (602) 275-1739

HORIZ. EDGE @ BASE & TOP RVRSD

SCALE: NTS

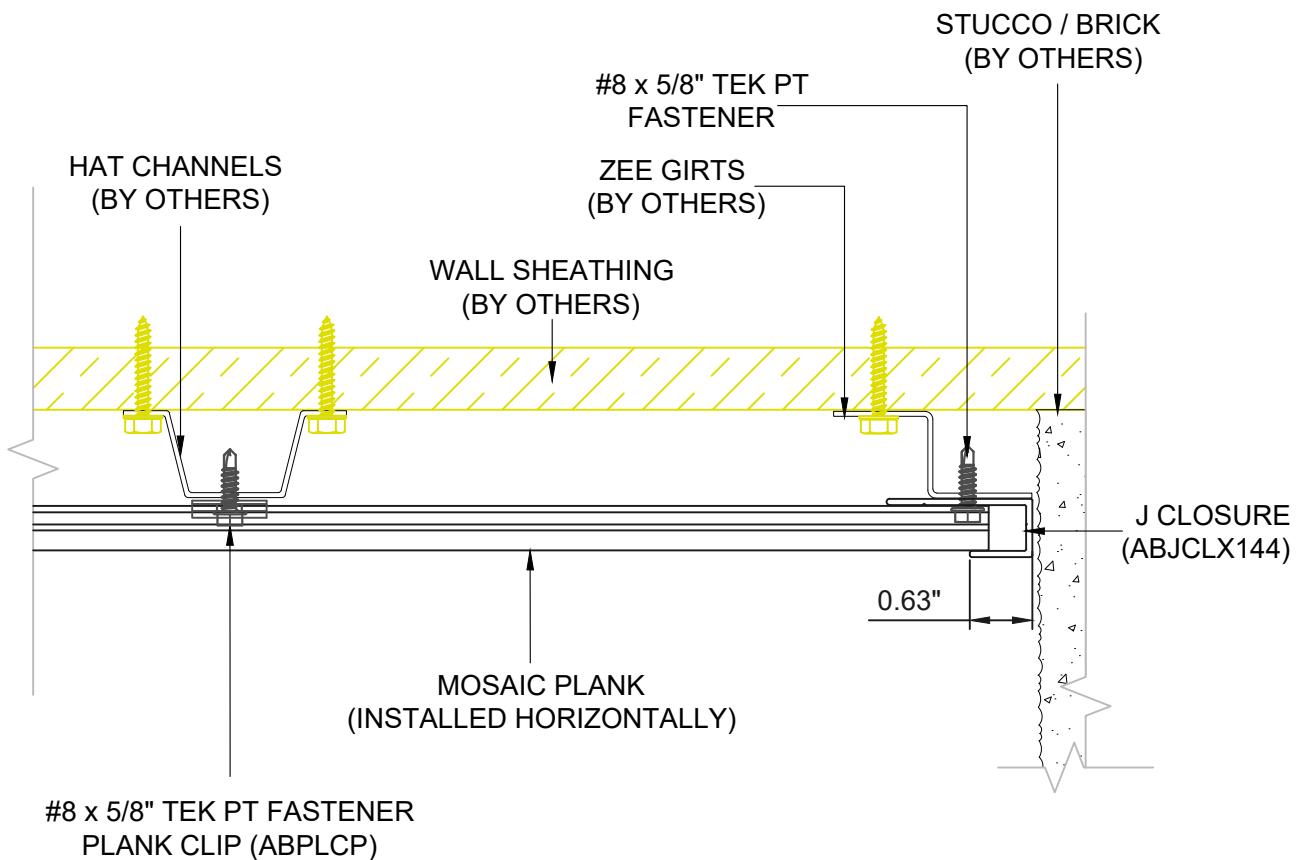
10/18/23

SYSTEM = MOSAIC

****ALL DETAILS SHOW ALUMABOARD ATTACHED TO HAT CHANNELS OVER SOLID SUBSTRATE****
****REFERENCE LOAD SPAN TABLES FOR ALL ATTACHMENT TYPES, ANCHOR TYPES, & ANCHOR SPACING****

INSTALLATION OPTIONS ARE:

- 1) OPEN FRAMING - WOOD OR METAL STUDS
- 2) WOOD SHEATHING
- 3) HAT CHANNEL OVER SHEATHING WITHOUT OR WITH A *VAPOR BARRIER (*RECOMMENDED FOR WALLS)



NOTE: PLANKS MUST HAVE A JOINT ON WALL TO INSTALL WITH THIS TRIM OR YOU MUST CUT PLANKS EXACT & SLIDE LEFT TO RIGHT TO INSTALL



2529 W. Jackson St.
Phoenix, AZ 85298
PHONE: (602) 275-1676
FAX: (602) 275-1739

HORIZ. END @ J-CLOSURE

SCALE: NTS

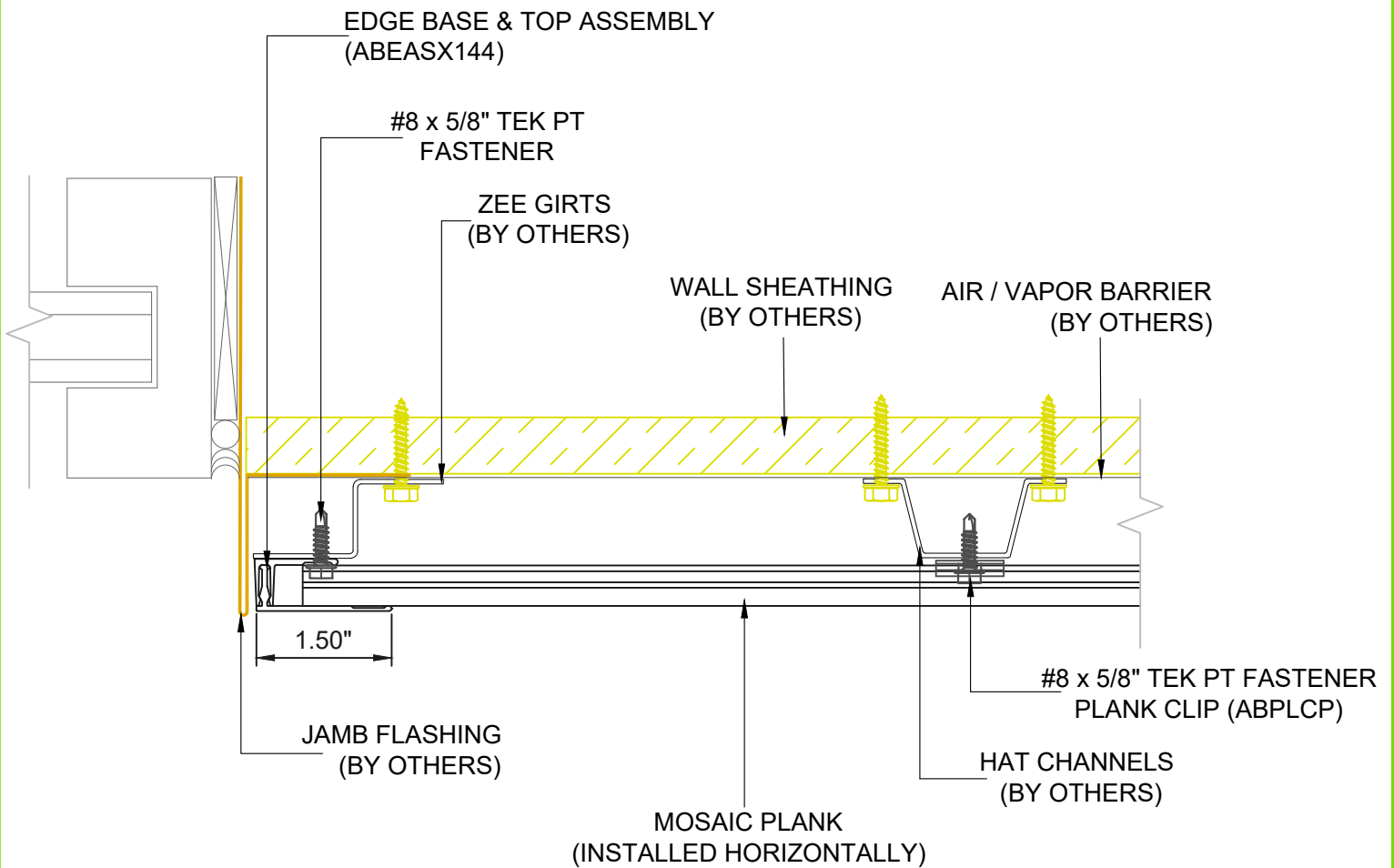
10/18/23

SYSTEM = MOSAIC

****ALL DETAILS SHOW ALUMABOARD ATTACHED TO HAT CHANNELS OVER SOLID SUBSTRATE****
****REFERENCE LOAD SPAN TABLES FOR ALL ATTACHMENT TYPES, ANCHOR TYPES, & ANCHOR SPACING****

INSTALLATION OPTIONS ARE:

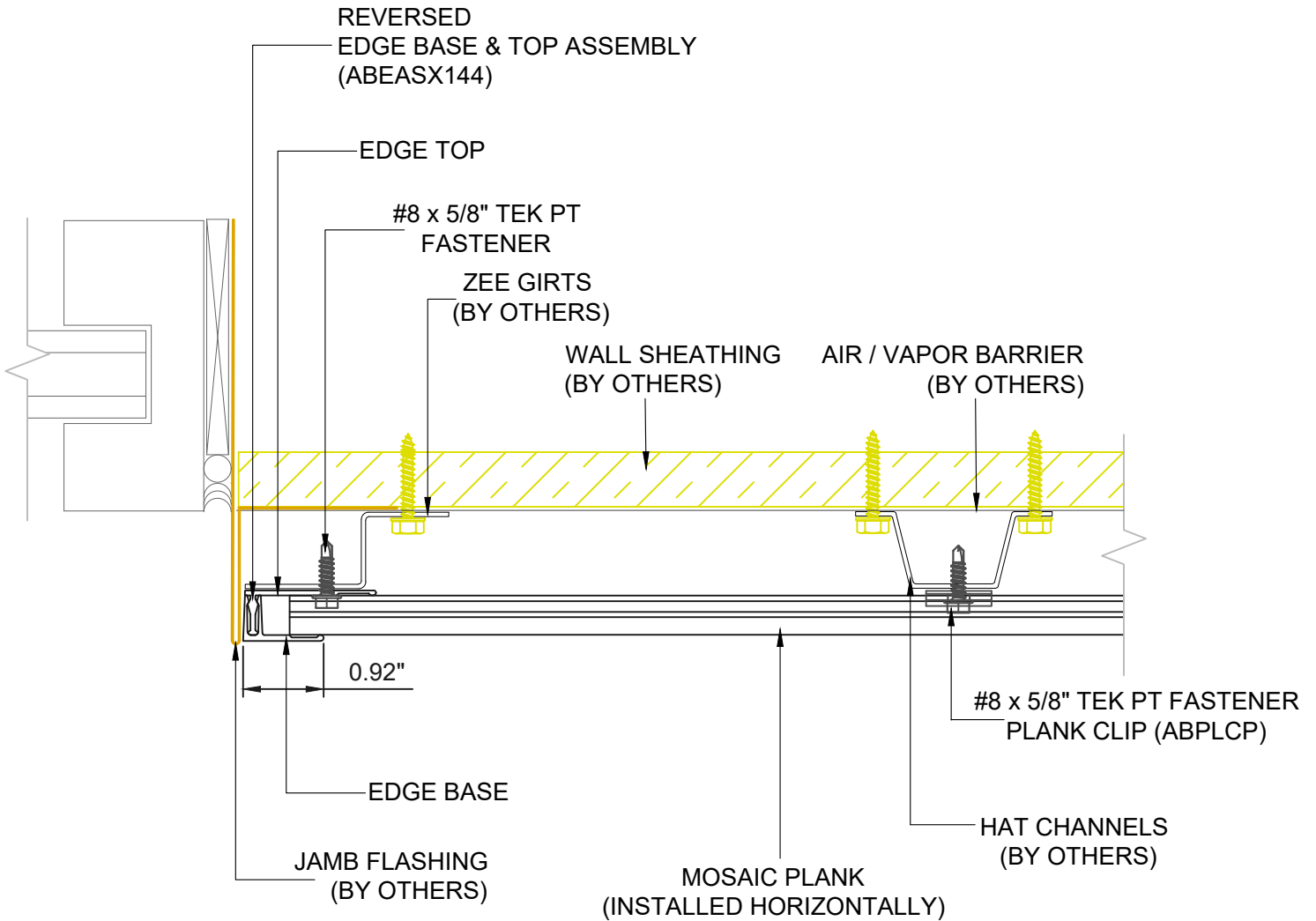
- 1) OPEN FRAMING - WOOD OR METAL STUDS
- 2) WOOD SHEATHING
- 3) HAT CHANNEL OVER SHEATHING WITHOUT OR WITH A *VAPOR BARRIER (*RECOMMENDED FOR WALLS)



****ALL DETAILS SHOW ALUMABOARD ATTACHED TO HAT CHANNELS OVER SOLID SUBSTRATE****
****REFERENCE LOAD SPAN TABLES FOR ALL ATTACHMENT TYPES, ANCHOR TYPES, & ANCHOR SPACING****

INSTALLATION OPTIONS ARE:

- 1) OPEN FRAMING - WOOD OR METAL STUDS
- 2) WOOD SHEATHING
- 3) HAT CHANNEL OVER SHEATHING WITHOUT OR WITH A *VAPOR BARRIER (*RECOMMENDED FOR WALLS)



2529 W. Jackson St.
Phoenix, AZ 85298
PHONE: (602) 275-1676
FAX: (602) 275-1739

HORIZ. EDGE BASE & TOP RVRSD

SCALE: NTS

10/18/23

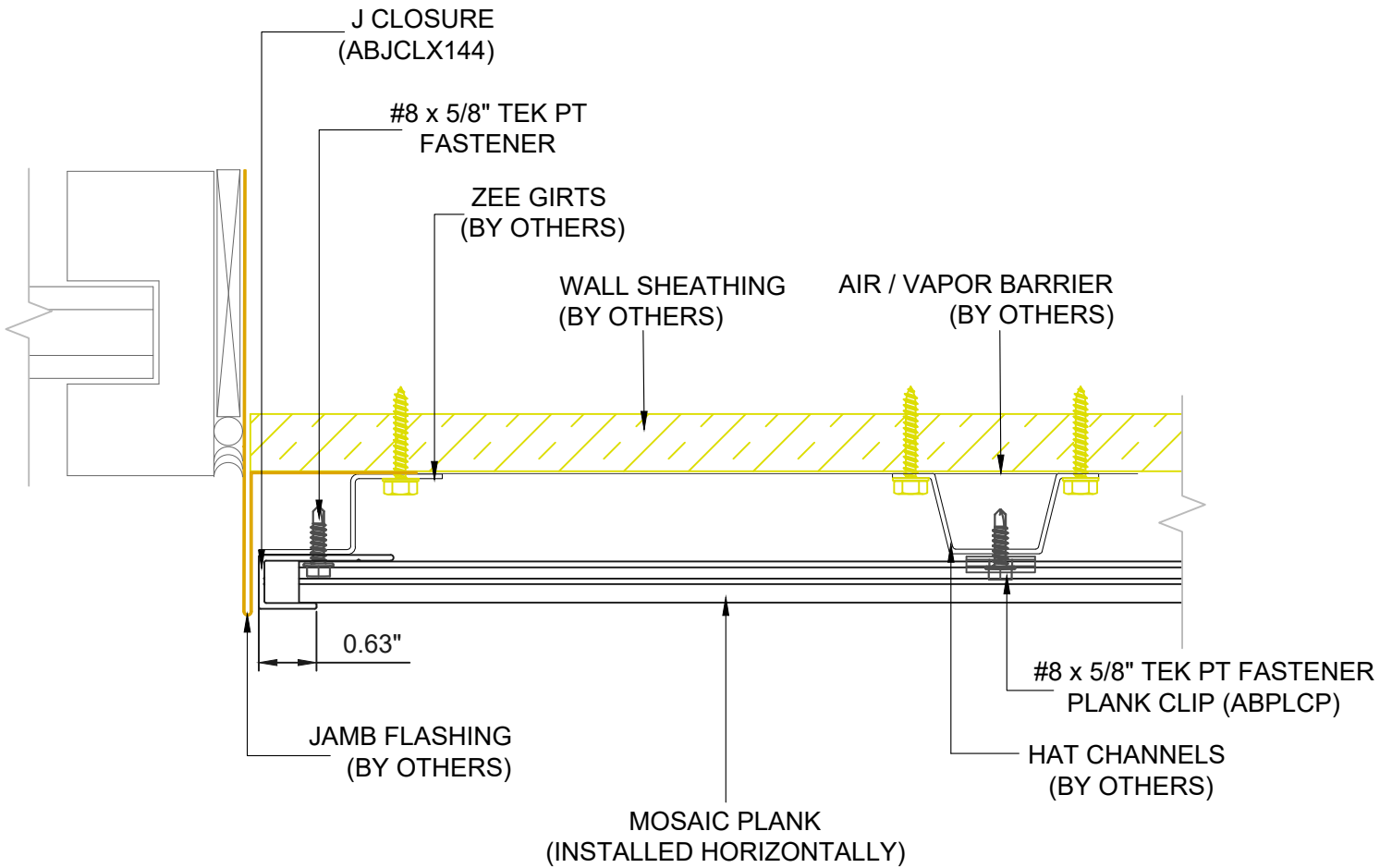
SYSTEM = MOSAIC

110

****ALL DETAILS SHOW ALUMABOARD ATTACHED TO HAT CHANNELS OVER SOLID SUBSTRATE****
****REFERENCE LOAD SPAN TABLES FOR ALL ATTACHMENT TYPES, ANCHOR TYPES, & ANCHOR SPACING****

INSTALLATION OPTIONS ARE:

- 1) OPEN FRAMING - WOOD OR METAL STUDS
- 2) WOOD SHEATHING
- 3) HAT CHANNEL OVER SHEATHING WITHOUT OR WITH A *VAPOR BARRIER (*RECOMMENDED FOR WALLS)



NOTE: PLANKS MUST HAVE A JOINT ON WALL TO INSTALL WITH THIS TRIM OR YOU MUST CUT PLANKS EXACT & SLIDE LEFT TO RIGHT TO INSTALL



2529 W. Jackson St.
 Phoenix, AZ 85298
 PHONE: (602) 275-1676
 FAX: (602) 275-1739

HORIZ. JAMB - J-CLOSURE

SCALE: NTS

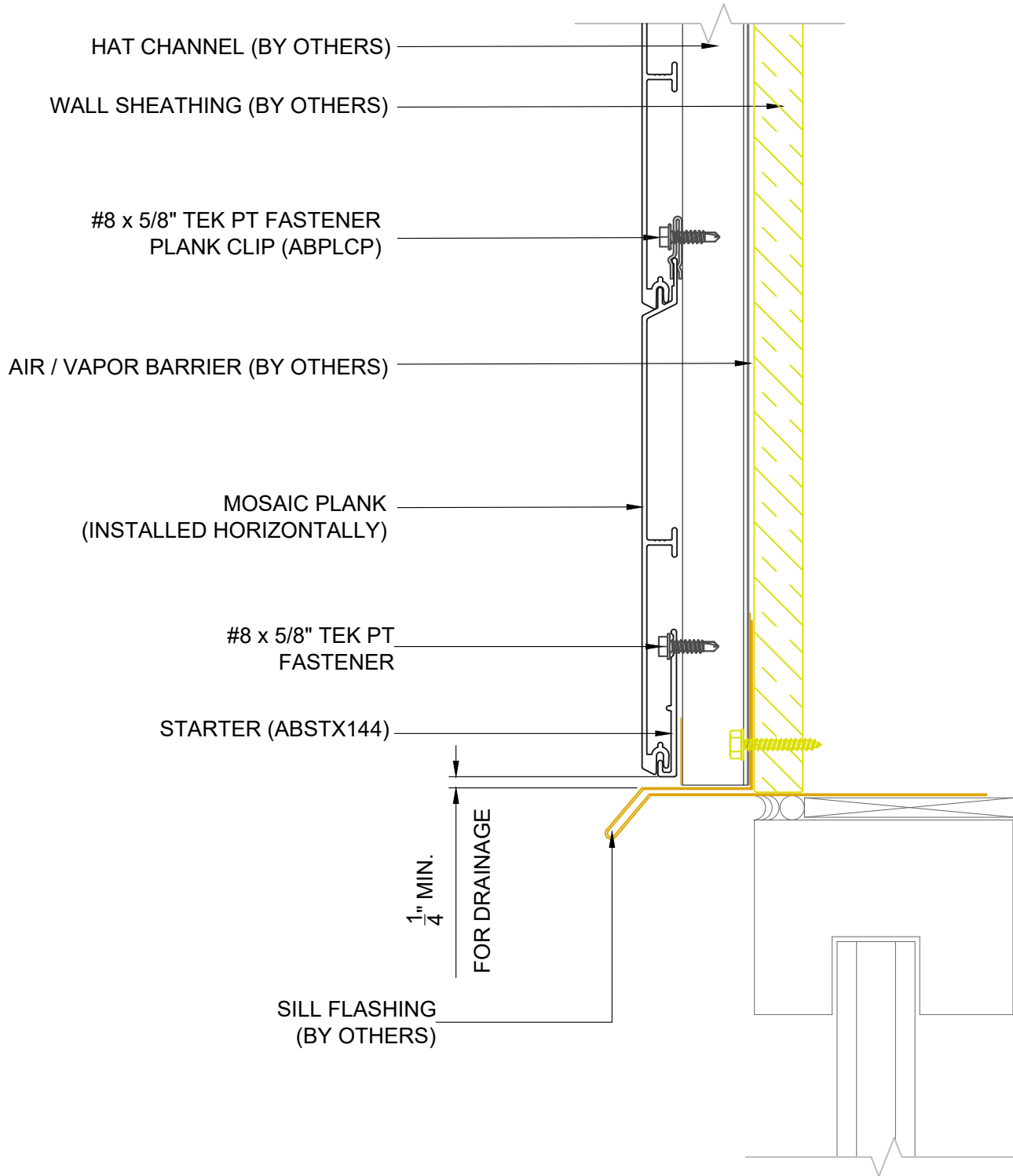
10/18/23

SYSTEM = MOSAIC

****ALL DETAILS SHOW MOSAIC ATTACHED TO HAT CHANNELS OVER SOLID SUBSTRATE****
****REFERENCE LOAD SPAN TABLES FOR ALL ATTACHMENT TYPES, ANCHOR TYPES, & ANCHOR SPACING****

INSTALLATION OPTIONS ARE:

- 1) OPEN FRAMING - WOOD OR METAL STUDS
- 2) WOOD SHEATHING
- 3) HAT CHANNEL OVER SHEATHING WITHOUT OR WITH A *VAPOR BARRIER (*RECOMMENDED FOR WALLS)



2529 W. Jackson St.
 Phoenix, AZ 85298
 PHONE: (602) 275-1676
 FAX: (602) 275-1739

HORIZ. HEAD @ STARTER

SCALE: NTS

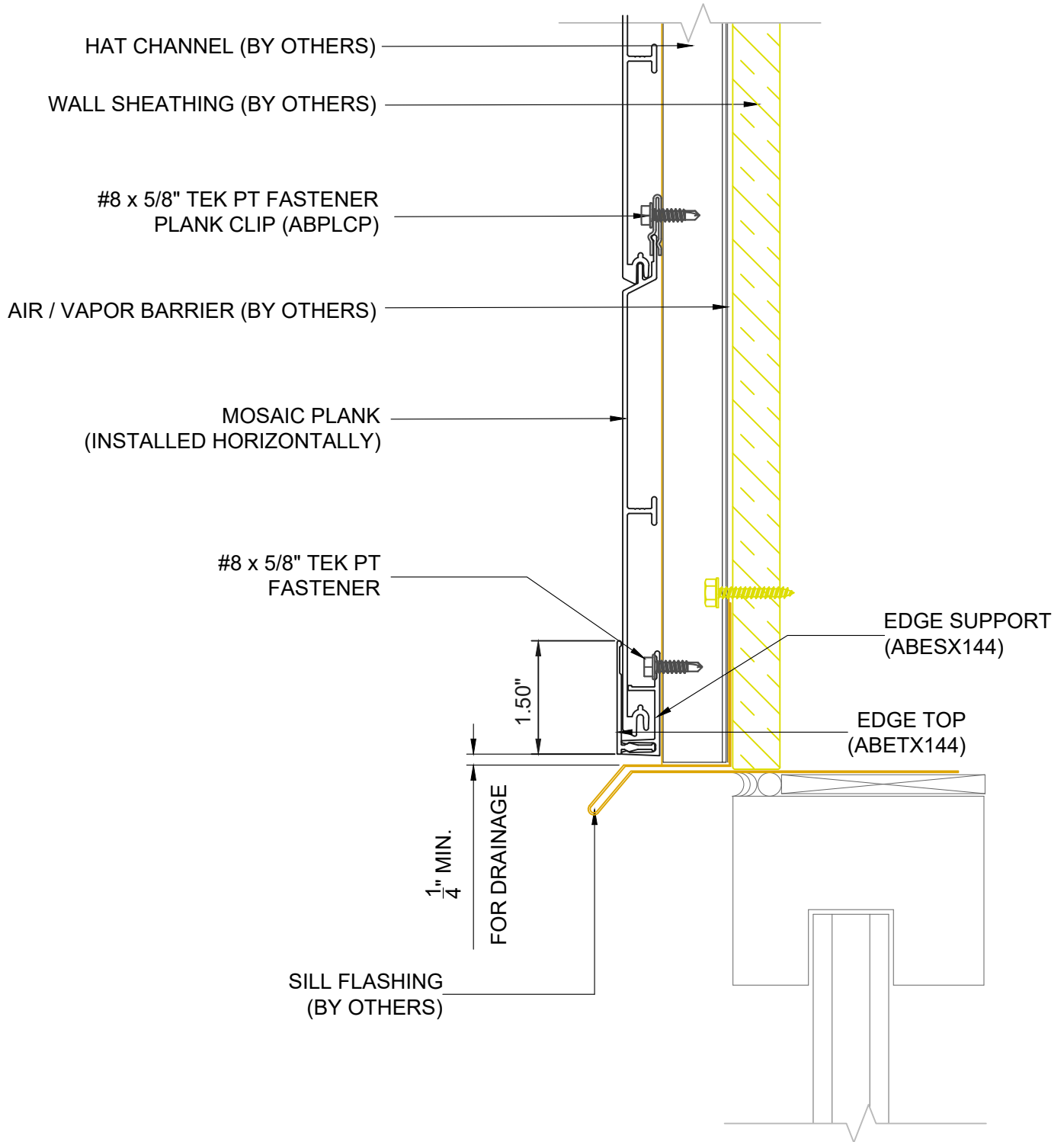
10/18/23

SYSTEM = MOSAIC

****ALL DETAILS SHOW MOSAIC ATTACHED TO HAT CHANNELS OVER SOLID SUBSTRATE****
****REFERENCE LOAD SPAN TABLES FOR ALL ATTACHMENT TYPES, ANCHOR TYPES, & ANCHOR SPACING****

INSTALLATION OPTIONS ARE:

- 1) OPEN FRAMING - WOOD OR METAL STUDS
- 2) WOOD SHEATHING
- 3) HAT CHANNEL OVER SHEATHING WITHOUT OR WITH A *VAPOR BARRIER (*RECOMMENDED FOR WALLS)



2529 W. Jackson St.
Phoenix, AZ 85298

PHONE: (602) 275-1676
FAX: (602) 275-1739

HORIZ. HEAD @ EDGE SUPPORT & TOP

SCALE: NTS

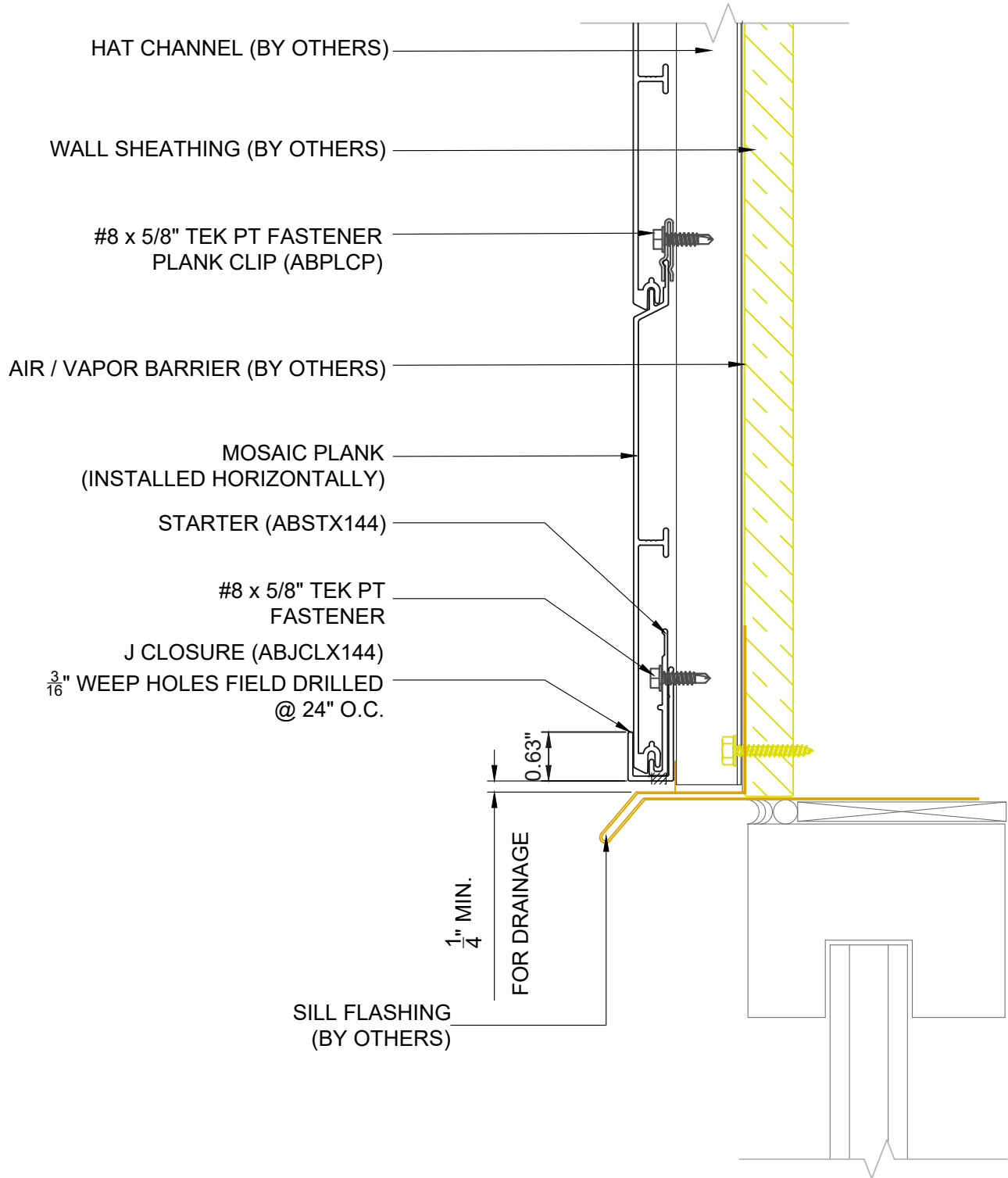
10/18/23

SYSTEM = MOSAIC

****ALL DETAILS SHOW MOSAIC ATTACHED TO HAT CHANNELS OVER SOLID SUBSTRATE****
****REFERENCE LOAD SPAN TABLES FOR ALL ATTACHMENT TYPES, ANCHOR TYPES, & ANCHOR SPACING****

INSTALLATION OPTIONS ARE:

- 1) OPEN FRAMING - WOOD OR METAL STUDS
- 2) WOOD SHEATHING
- 3) HAT CHANNEL OVER SHEATHING WITHOUT OR WITH A *VAPOR BARRIER (*RECOMMENDED FOR WALLS)



2529 W. Jackson St.
 Phoenix, AZ 85298
 PHONE: (602) 275-1676
 FAX: (602) 275-1739

HORIZ. HEAD @ J-CLOSURE

SCALE: NTS

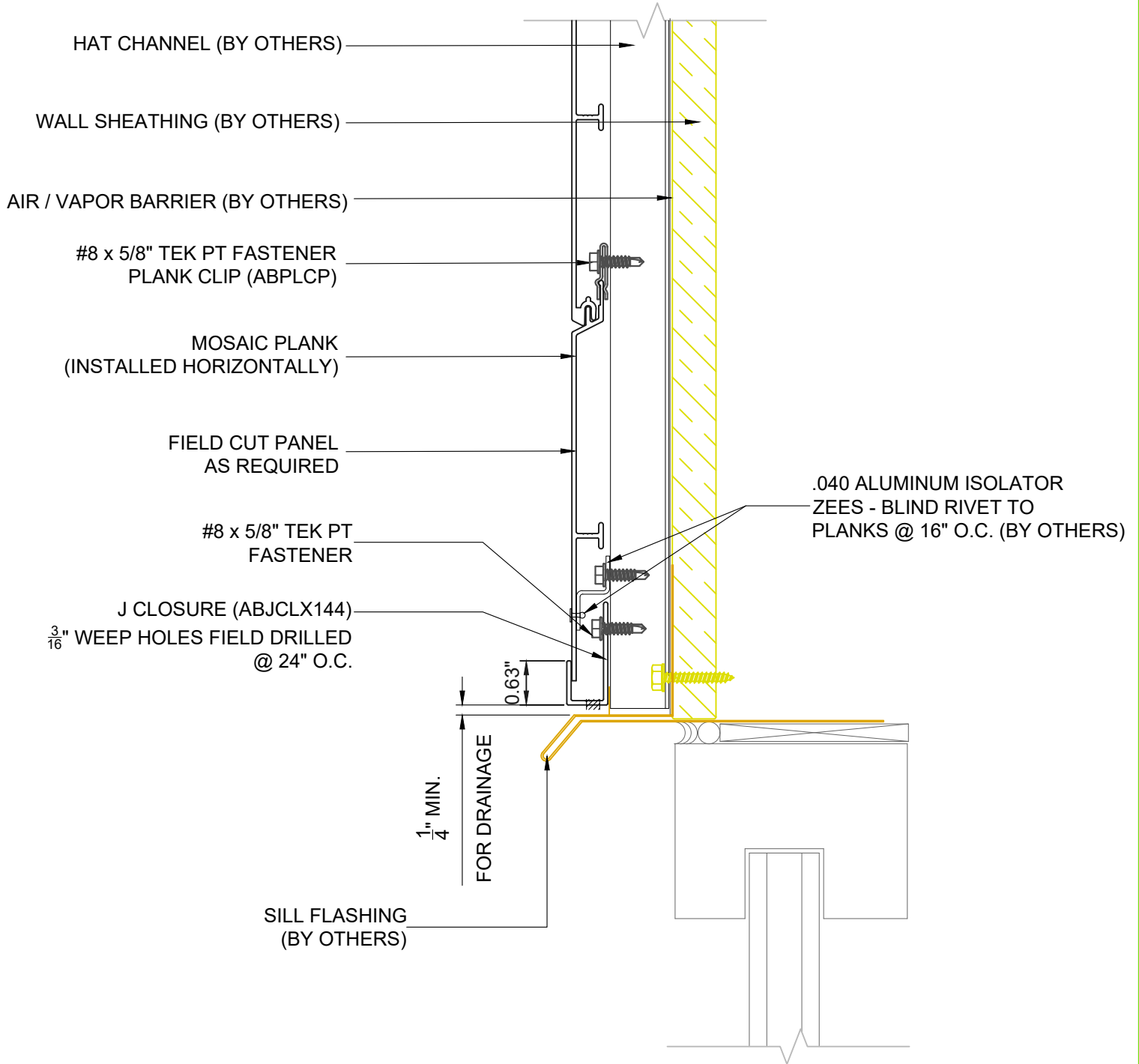
10/18/23

SYSTEM = MOSAIC

****ALL DETAILS SHOW MOSAIC ATTACHED TO HAT CHANNELS OVER SOLID SUBSTRATE****
****REFERENCE LOAD SPAN TABLES FOR ALL ATTACHMENT TYPES, ANCHOR TYPES, & ANCHOR SPACING****

INSTALLATION OPTIONS ARE:

- 1) OPEN FRAMING - WOOD OR METAL STUDS
- 2) WOOD SHEATHING
- 3) HAT CHANNEL OVER SHEATHING WITHOUT OR WITH A *VAPOR BARRIER (*RECOMMENDED FOR WALLS)



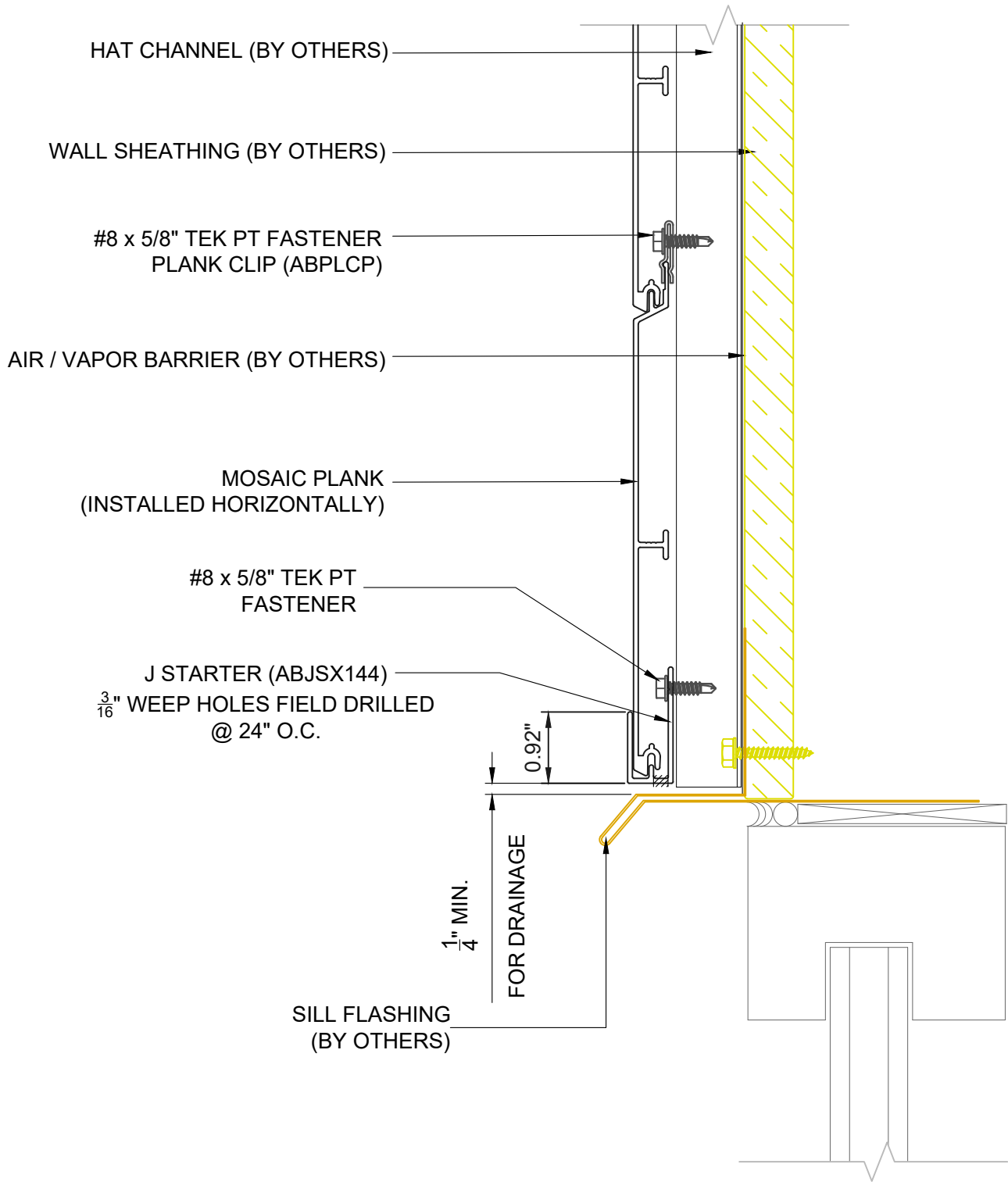
2529 W. Jackson St.
 Phoenix, AZ 85298
 PHONE: (602) 275-1676
 FAX: (602) 275-1739

HORIZ. HEAD @ J-CLOSURE

****ALL DETAILS SHOW MOSAIC ATTACHED TO HAT CHANNELS OVER SOLID SUBSTRATE****
****REFERENCE LOAD SPAN TABLES FOR ALL ATTACHMENT TYPES, ANCHOR TYPES, & ANCHOR SPACING****

INSTALLATION OPTIONS ARE:

- 1) OPEN FRAMING - WOOD OR METAL STUDS
- 2) WOOD SHEATHING
- 3) HAT CHANNEL OVER SHEATHING WITHOUT OR WITH A *VAPOR BARRIER (*RECOMMENDED FOR WALLS)



2529 W. Jackson St.
Phoenix, AZ 85298
PHONE: (602) 275-1676
FAX: (602) 275-1739

HORIZ. HEAD @ J-STARTER

SCALE: NTS

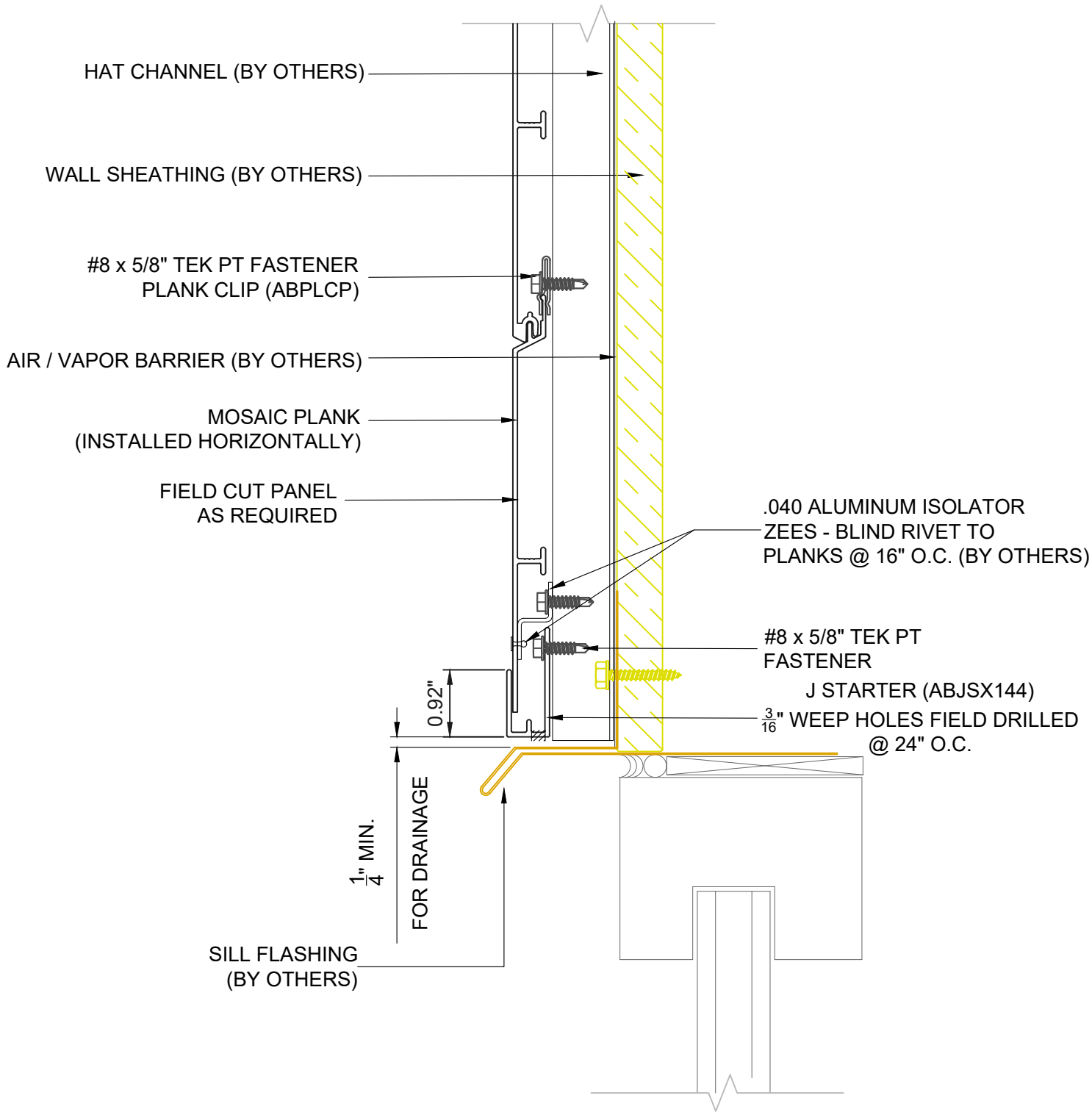
10/18/23

SYSTEM = MOSAIC

****ALL DETAILS SHOW MOSAIC ATTACHED TO HAT CHANNELS OVER SOLID SUBSTRATE****
****REFERENCE LOAD SPAN TABLES FOR ALL ATTACHMENT TYPES, ANCHOR TYPES, & ANCHOR SPACING****

INSTALLATION OPTIONS ARE:

- 1) OPEN FRAMING - WOOD OR METAL STUDS
- 2) WOOD SHEATHING
- 3) HAT CHANNEL OVER SHEATHING WITHOUT OR WITH A *VAPOR BARRIER (*RECOMMENDED FOR WALLS)



2529 W. Jackson St.
 Phoenix, AZ 85298
 PHONE: (602) 275-1676
 FAX: (602) 275-1739

HORIZ. HEAD @ J-STARTER

117

SCALE: NTS

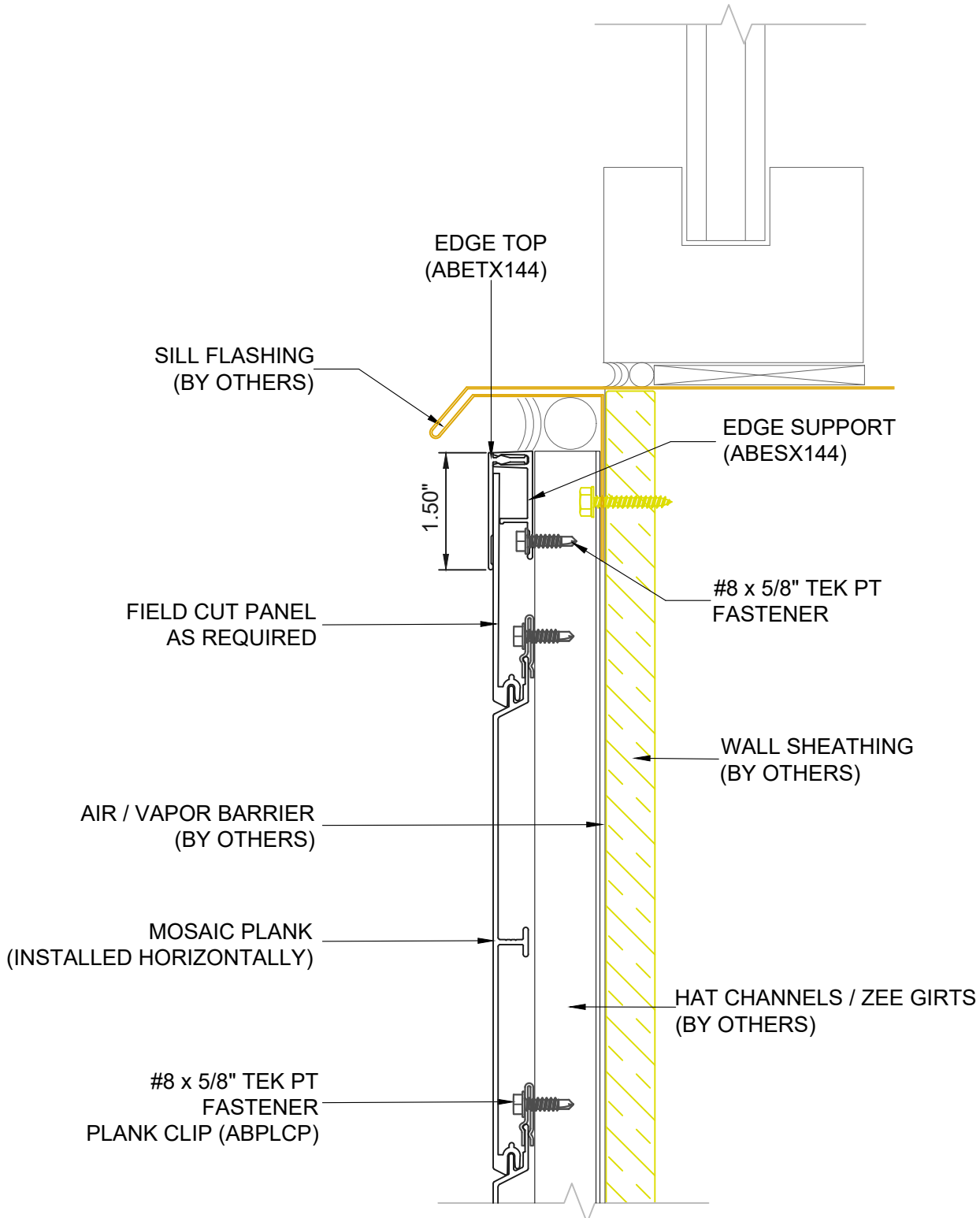
10/18/23

SYSTEM = MOSAIC

****ALL DETAILS SHOW MOSAIC ATTACHED TO HAT CHANNELS OVER SOLID SUBSTRATE****
****REFERENCE LOAD SPAN TABLES FOR ALL ATTACHMENT TYPES, ANCHOR TYPES, & ANCHOR SPACING****

INSTALLATION OPTIONS ARE:

- 1) OPEN FRAMING - WOOD OR METAL STUDS
- 2) WOOD SHEATHING
- 3) HAT CHANNEL OVER SHEATHING WITHOUT OR WITH A *VAPOR BARRIER (*RECOMMENDED FOR WALLS)



****ALL DETAILS SHOW MOSAIC ATTACHED TO HAT CHANNELS OVER SOLID SUBSTRATE****
****REFERENCE LOAD SPAN TABLES FOR ALL ATTACHMENT TYPES, ANCHOR TYPES, & ANCHOR SPACING****

INSTALLATION OPTIONS ARE:

- 1) OPEN FRAMING - WOOD OR METAL STUDS
- 2) WOOD SHEATHING
- 3) HAT CHANNEL OVER SHEATHING WITHOUT OR WITH A *VAPOR BARRIER (*RECOMMENDED FOR WALLS)

