

# INDEX

## VERTICAL WALL

### **I - INDEX**

#### **E2- ELEVATIONS**

**200- VERTICAL @ J-CLOSURE**

**201- VERTICAL EDGE @ BASE & TOP ASSEMBLY**

**202- VERTICAL EDGE @ BASE & TOP REVERSED**

**203- VERTICAL @ CEILING J-CLOSURE**

**204- VERTICAL @ CEILING J-CLOSURE PARAPET**

**205- VERTICAL @ CEILING BASE & TOP ASSEMBLY**

**206- VERTICAL @ CEILING BASE & TOP PARAPET**

**207- VERTICAL @ CEILING BASE & TOP REVERSED**

**208- VERTICAL @ CEILING BASE & TOP REVERSED PARAPET**

**209- VERTICAL @ STARTER**

**210- VERTICAL @ J-CLOSURE & STARTER**

**211- VERTICAL @ J-STARTER**

**212- VERTICAL @ EDGE SUPPORT**

**213- VERTICAL @ BASE & TOP ASSEMBLY**

**214- VERTICAL @ BASE & TOP REVERSED**

**215- VERTICAL @ SILL EDGE BASE & TOP ASSEMBLY**

**216- VERTICAL @ SILL EDGE BASE & TOP REVERSED**

**217- VERTICAL @ SILL J-CLOSURE**

**218- VERTICAL @ HEADER EDGE BASE & TOP ASSEMBLY**

**219- VERTICAL @ HEADER EDGE BASE & TO REVERSED**

**220- VERTICAL @ HEADER J-CLOSURE**

**221- VERTICAL @ SILL EDGE SUPPORT**

**222- VERTICAL @ SILL EDGE BASE & TOP ASSEMBLY**

**223- VERTICAL @ SILL EDGE BASE & TOP REVERSED**

**224- VERTICAL @ SILL J-CLOSURE**



2529 W. Jackson St.  
Phoenix, AZ 85298

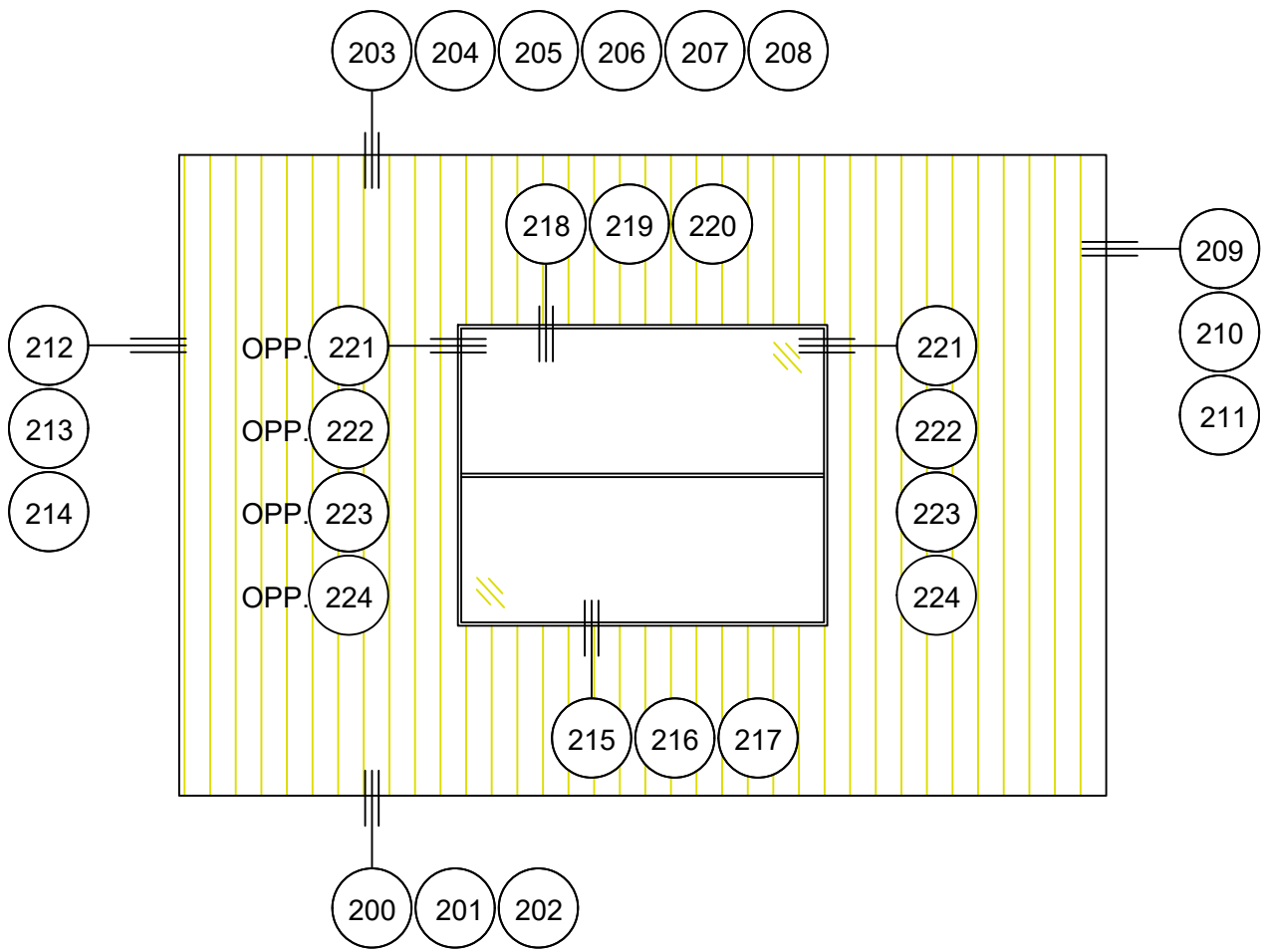
PHONE: (602) 275-1676  
FAX: (602) 275-1739

## MOSAIC DETAIL INDEX

SCALE: NTS

9/14/23

SYSTEM = MOSAIC



1 WALL 2  
E2 SCALE: = NTS  
 REF ARCH.: N/A



2529 W. Jackson St.  
 Phoenix, AZ 85298  
 PHONE: (602) 275-1676  
 FAX: (602) 275-1739

# INSTALLATION ELEVATION

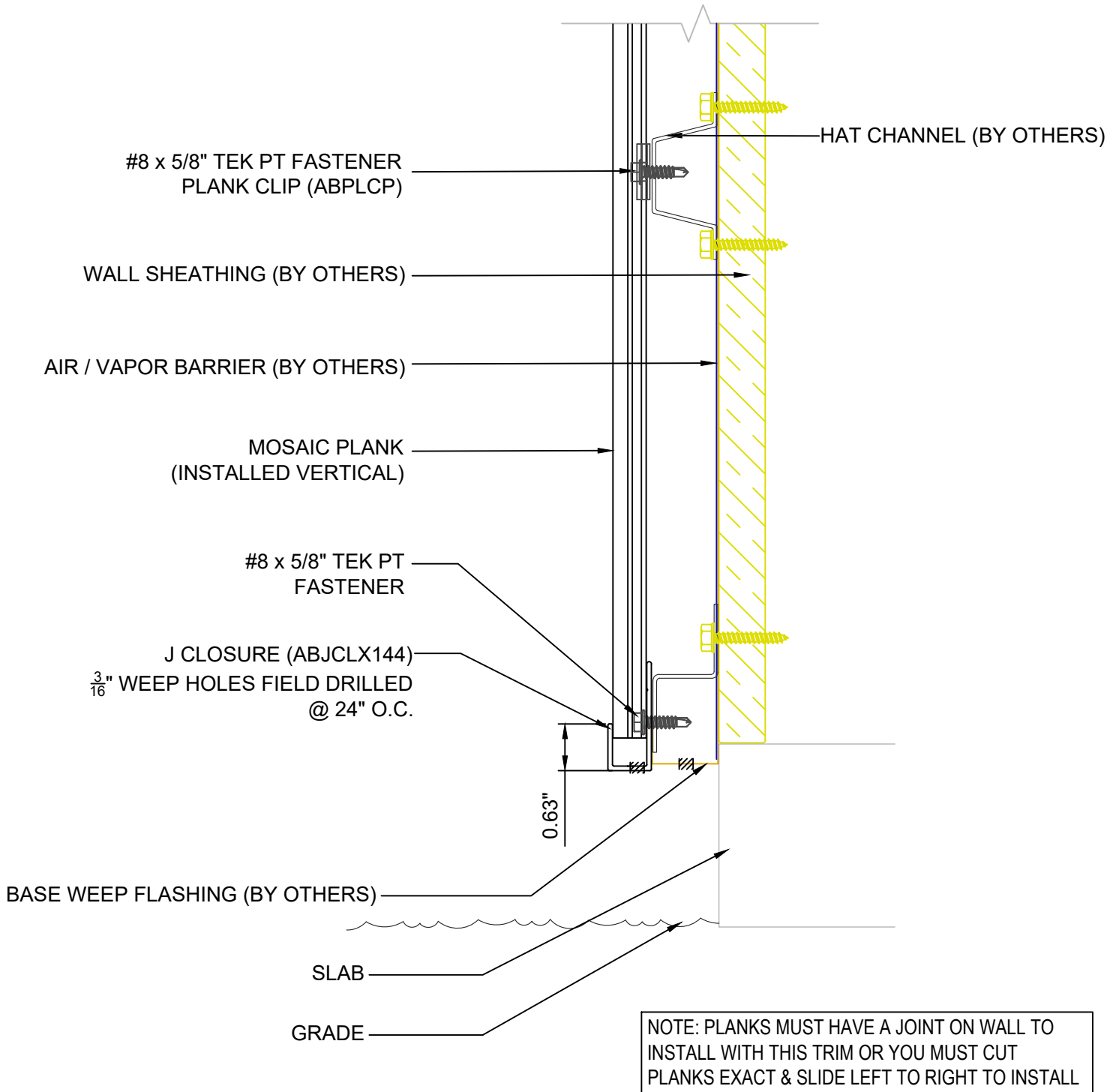
SCALE: NTS  
 9/14/23  
 SYSTEM = MOSAIC

# E2

**\*\*ALL DETAILS SHOW ALUMABOARD ATTACHED TO HAT CHANNELS OVER SOLID SUBSTRATE\*\***  
**\*\*REFERENCE LOAD SPAN TABLES FOR ALL ATTACHMENT TYPES, ANCHOR TYPES, & ANCHOR SPACING\*\***

INSTALLATION OPTIONS ARE:

- 1) OPEN FRAMING - WOOD OR METAL STUDS
- 2) WOOD SHEATHING
- 3) HAT CHANNEL OVER SHEATHING WITHOUT OR WITH A \*VAPOR BARRIER (\*RECOMMENDED FOR WALLS)



2529 W. Jackson St.  
 Phoenix, AZ 85298  
 PHONE: (602) 275-1676  
 FAX: (602) 275-1739

VERT @ J-CLOSURE

200

SCALE: NTS

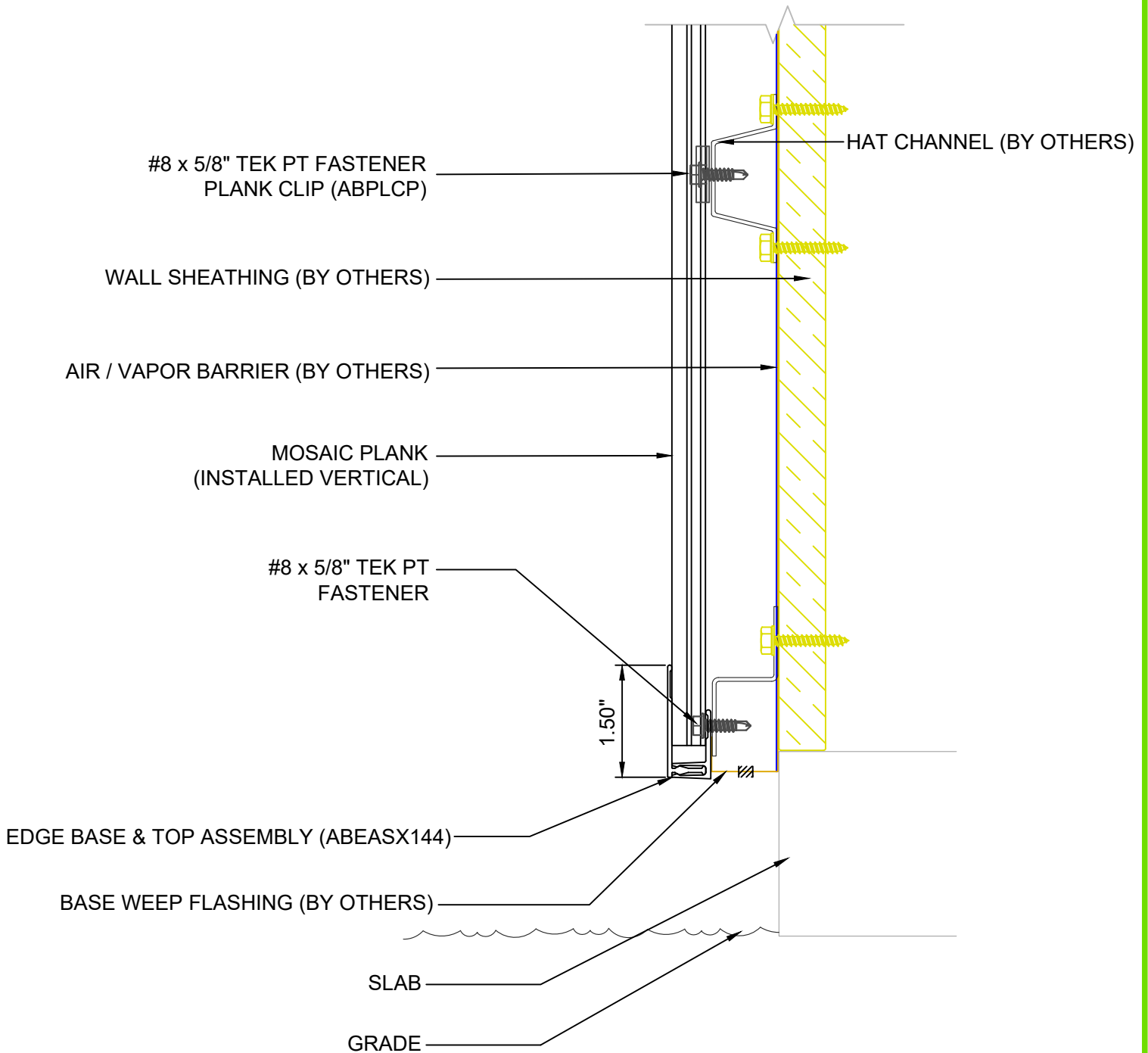
TBD

SYSTEM = MOSAIC

**\*\*ALL DETAILS SHOW ALUMABOARD ATTACHED TO HAT CHANNELS OVER SOLID SUBSTRATE\*\***  
**\*\*REFERENCE LOAD SPAN TABLES FOR ALL ATTACHMENT TYPES, ANCHOR TYPES, & ANCHOR SPACING\*\***

INSTALLATION OPTIONS ARE:

- 1) OPEN FRAMING - WOOD OR METAL STUDS
- 2) WOOD SHEATHING
- 3) HAT CHANNEL OVER SHEATHING WITHOUT OR WITH A \*VAPOR BARRIER (\*RECOMMENDED FOR WALLS)



2529 W. Jackson St.  
 Phoenix, AZ 85298  
 PHONE: (602) 275-1676  
 FAX: (602) 275-1739

## VERT EDGE BASE & TOP ASSY

201

SCALE: NTS

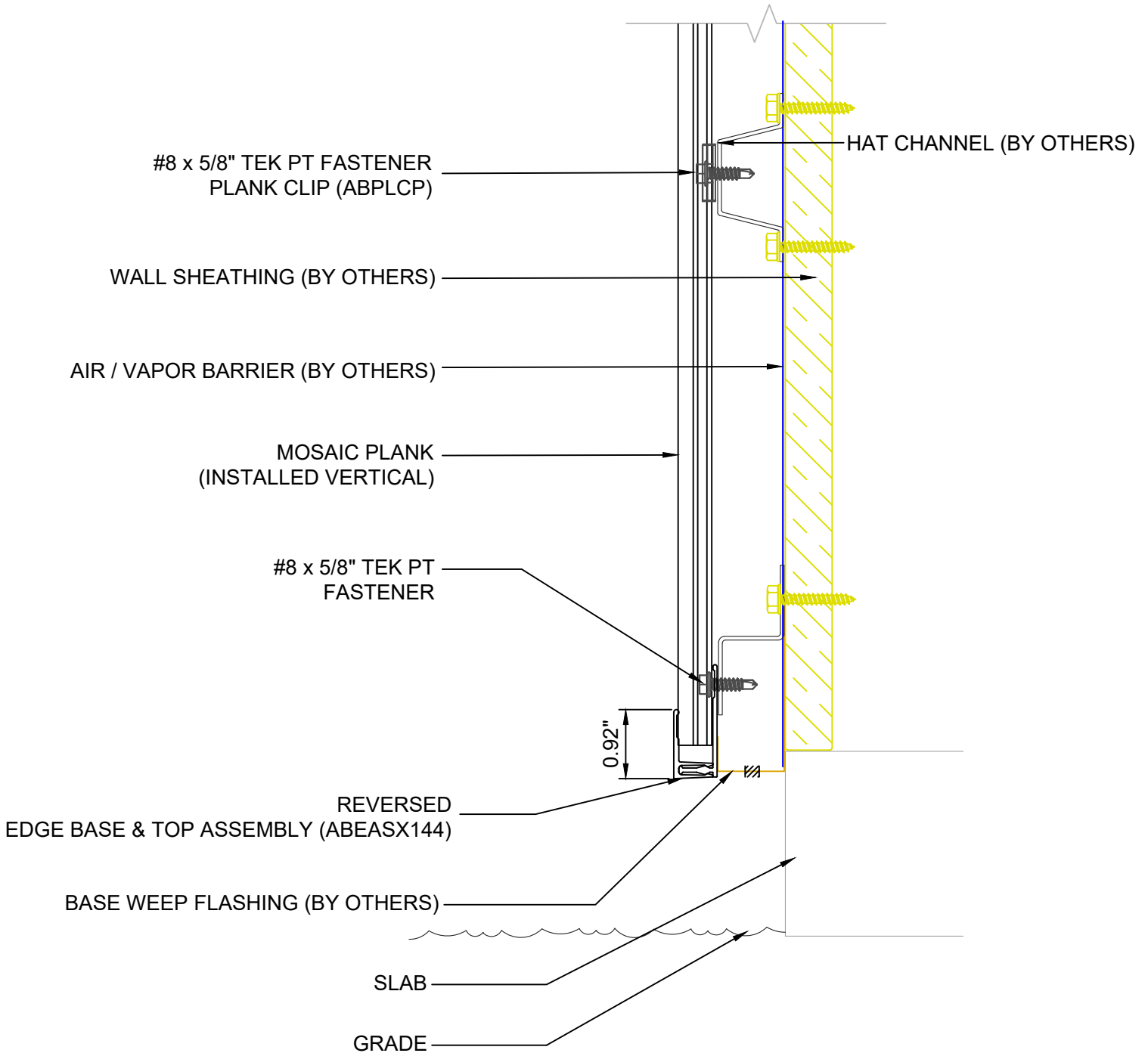
TBD

SYSTEM = MOSAIC

**\*\*ALL DETAILS SHOW ALUMABOARD ATTACHED TO HAT CHANNELS OVER SOLID SUBSTRATE\*\***  
**\*\*REFERENCE LOAD SPAN TABLES FOR ALL ATTACHMENT TYPES, ANCHOR TYPES, & ANCHOR SPACING\*\***

INSTALLATION OPTIONS ARE:

- 1) OPEN FRAMING - WOOD OR METAL STUDS
- 2) WOOD SHEATHING
- 3) HAT CHANNEL OVER SHEATHING WITHOUT OR WITH A \*VAPOR BARRIER (\*RECOMMENDED FOR WALLS)



2529 W. Jackson St.  
Phoenix, AZ 85298  
PHONE: (602) 275-1676  
FAX: (602) 275-1739

## VERT EDGE @ BASE & TOP RVRSD

SCALE: NTS

9/14/23

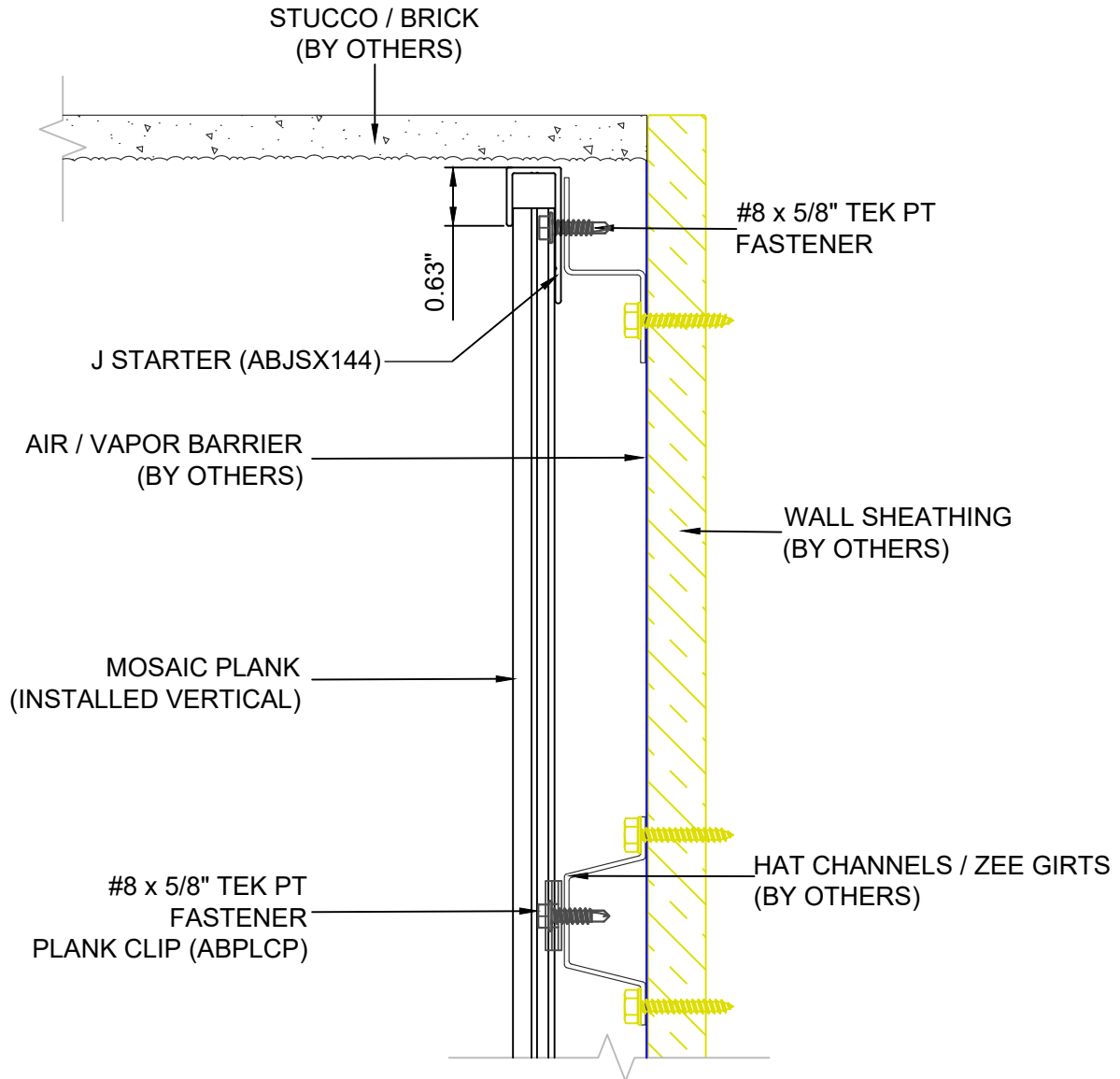
SYSTEM = MOSAIC

202

**\*\*ALL DETAILS SHOW MOSAIC ATTACHED TO HAT CHANNELS OVER SOLID SUBSTRATE\*\***  
**\*\*REFERENCE LOAD SPAN TABLES FOR ALL ATTACHMENT TYPES, ANCHOR TYPES, & ANCHOR SPACING\*\***

INSTALLATION OPTIONS ARE:

- 1) OPEN FRAMING - WOOD OR METAL STUDS
- 2) WOOD SHEATHING
- 3) HAT CHANNEL OVER SHEATHING WITHOUT OR WITH A \*VAPOR BARRIER (\*RECOMMENDED FOR WALLS)



NOTE: PLANKS MUST HAVE A JOINT ON WALL TO INSTALL WITH THIS TRIM OR YOU MUST CUT PLANKS EXACT & SLIDE LEFT TO RIGHT TO INSTALL



2529 W. Jackson St.  
 Phoenix, AZ 85298  
 PHONE: (602) 275-1676  
 FAX: (602) 275-1739

## VERT @ J-CLOSURE @ CEILING

203

SCALE: NTS

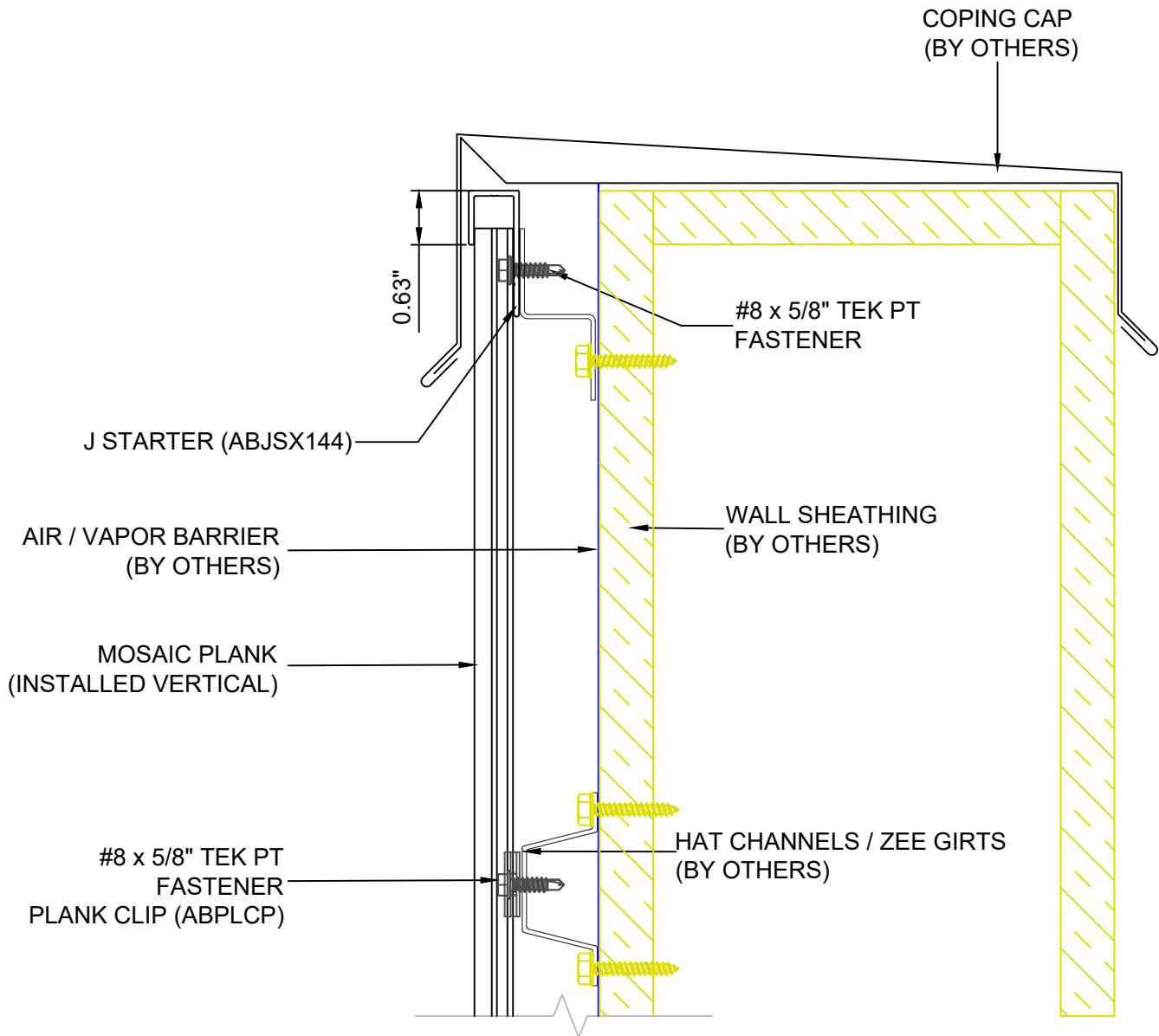
TBD

SYSTEM = MOSAIC

**\*\*ALL DETAILS SHOW MOSAIC ATTACHED TO HAT CHANNELS OVER SOLID SUBSTRATE\*\***  
**\*\*REFERENCE LOAD SPAN TABLES FOR ALL ATTACHMENT TYPES, ANCHOR TYPES, & ANCHOR SPACING\*\***

INSTALLATION OPTIONS ARE:

- 1) OPEN FRAMING - WOOD OR METAL STUDS
- 2) WOOD SHEATHING
- 3) HAT CHANNEL OVER SHEATHING WITHOUT OR WITH A \*VAPOR BARRIER (\*RECOMMENDED FOR WALLS)



NOTE: PLANKS MUST HAVE A JOINT ON WALL TO INSTALL WITH THIS TRIM OR YOU MUST CUT PLANKS EXACT & SLIDE LEFT TO RIGHT TO INSTALL



2529 W. Jackson St.  
 Phoenix, AZ 85298  
 PHONE: (602) 275-1676  
 FAX: (602) 275-1739

## VERT @ J-CLOSURE @ PARAPET

SCALE: NTS

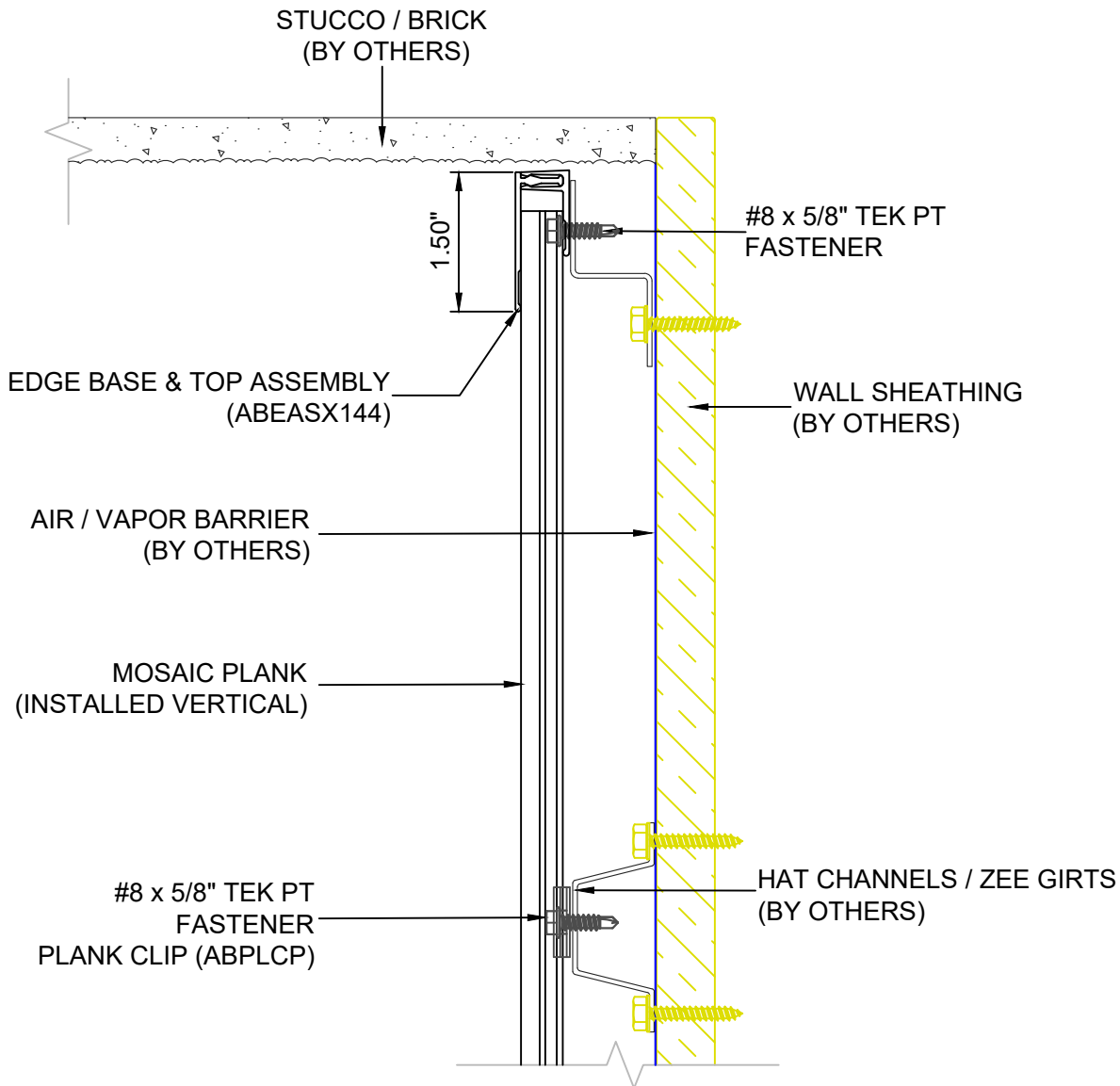
TBD

SYSTEM = MOSAIC

**\*\*ALL DETAILS SHOW MOSAIC ATTACHED TO HAT CHANNELS OVER SOLID SUBSTRATE\*\***  
**\*\*REFERENCE LOAD SPAN TABLES FOR ALL ATTACHMENT TYPES, ANCHOR TYPES, & ANCHOR SPACING\*\***

INSTALLATION OPTIONS ARE:

- 1) OPEN FRAMING - WOOD OR METAL STUDS
- 2) WOOD SHEATHING
- 3) HAT CHANNEL OVER SHEATHING WITHOUT OR WITH A \*VAPOR BARRIER (\*RECOMMENDED FOR WALLS)



2529 W. Jackson St.  
 Phoenix, AZ 85298  
 PHONE: (602) 275-1676  
 FAX: (602) 275-1739

## VERT @ CEILING BASE & TOP ASSY

205

SCALE: NTS

TBD

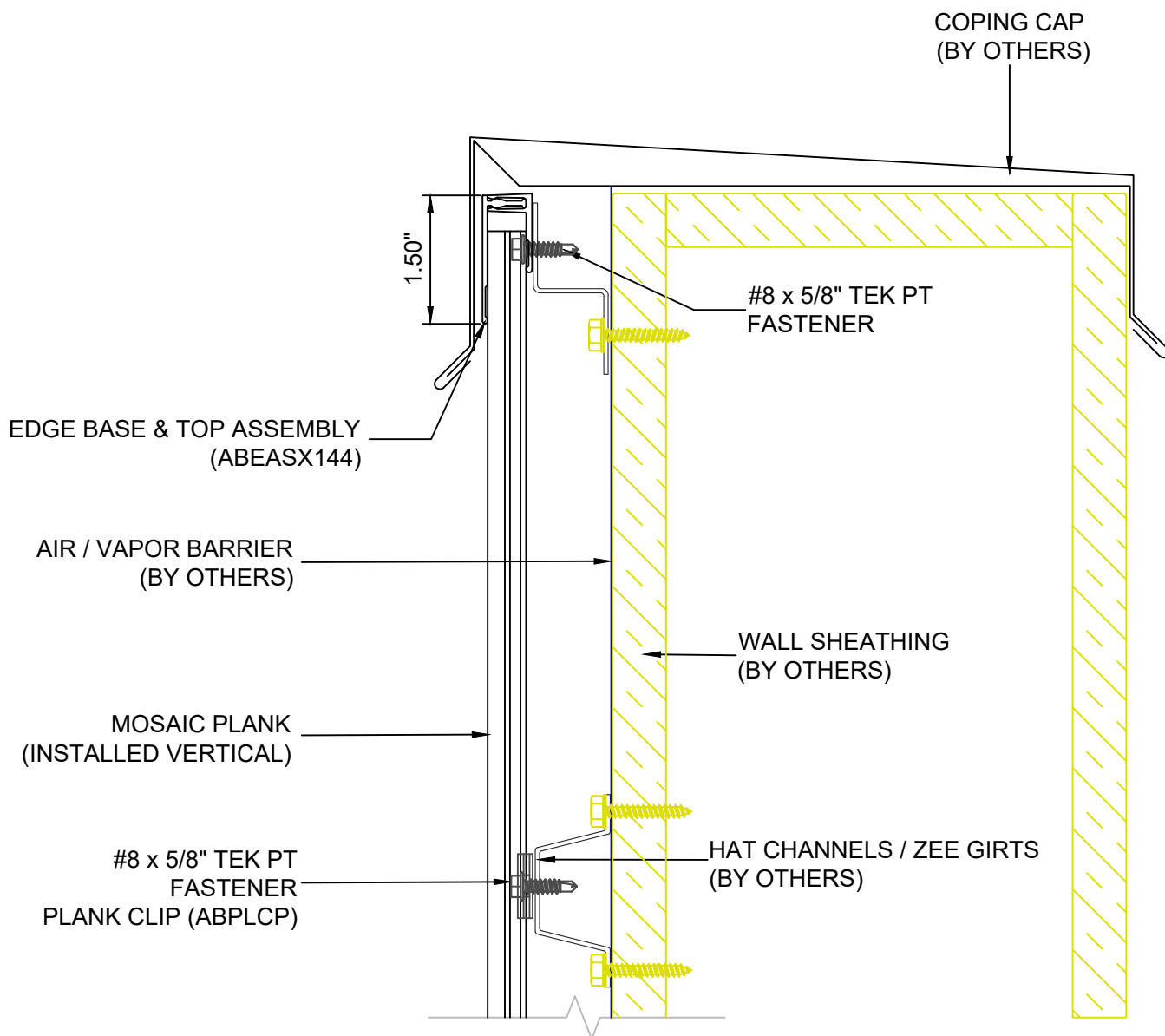
SYSTEM = MOSAIC



**\*\*ALL DETAILS SHOW MOSAIC ATTACHED TO HAT CHANNELS OVER SOLID SUBSTRATE\*\***  
**\*\*REFERENCE LOAD SPAN TABLES FOR ALL ATTACHMENT TYPES, ANCHOR TYPES, & ANCHOR SPACING\*\***

INSTALLATION OPTIONS ARE:

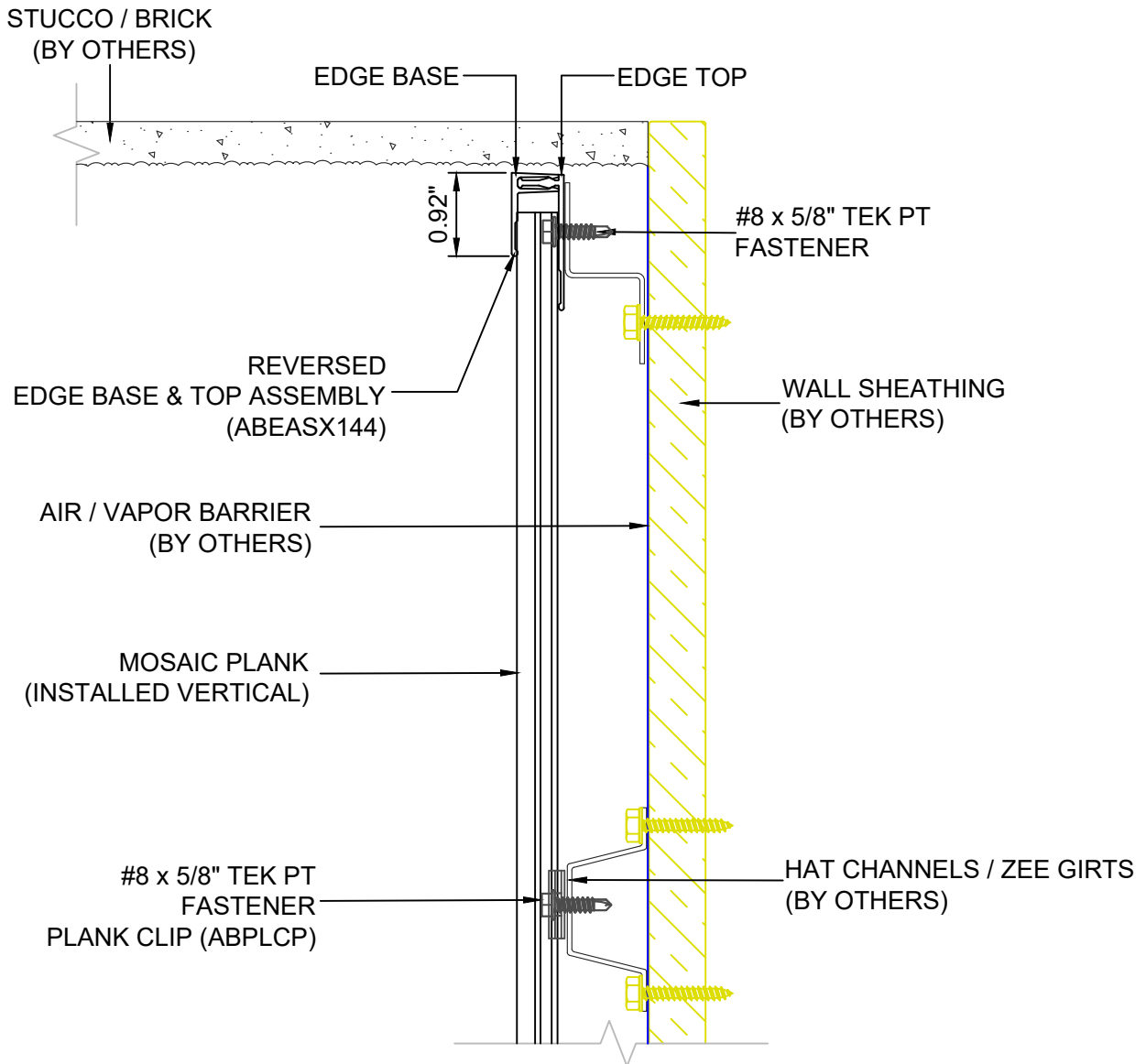
- 1) OPEN FRAMING - WOOD OR METAL STUDS
- 2) WOOD SHEATHING
- 3) HAT CHANNEL OVER SHEATHING WITHOUT OR WITH A \*VAPOR BARRIER (\*RECOMMENDED FOR WALLS)



**\*\*ALL DETAILS SHOW MOSAIC ATTACHED TO HAT CHANNELS OVER SOLID SUBSTRATE\*\***  
**\*\*REFERENCE LOAD SPAN TABLES FOR ALL ATTACHMENT TYPES, ANCHOR TYPES, & ANCHOR SPACING\*\***

INSTALLATION OPTIONS ARE:

- 1) OPEN FRAMING - WOOD OR METAL STUDS
- 2) WOOD SHEATHING
- 3) HAT CHANNEL OVER SHEATHING WITHOUT OR WITH A \*VAPOR BARRIER (\*RECOMMENDED FOR WALLS)



2529 W. Jackson St.  
Phoenix, AZ 85298

PHONE: (602) 275-1676  
FAX: (602) 275-1739

## VERT @ CEILING BASE & TOP RVRSD

SCALE: NTS

TBD

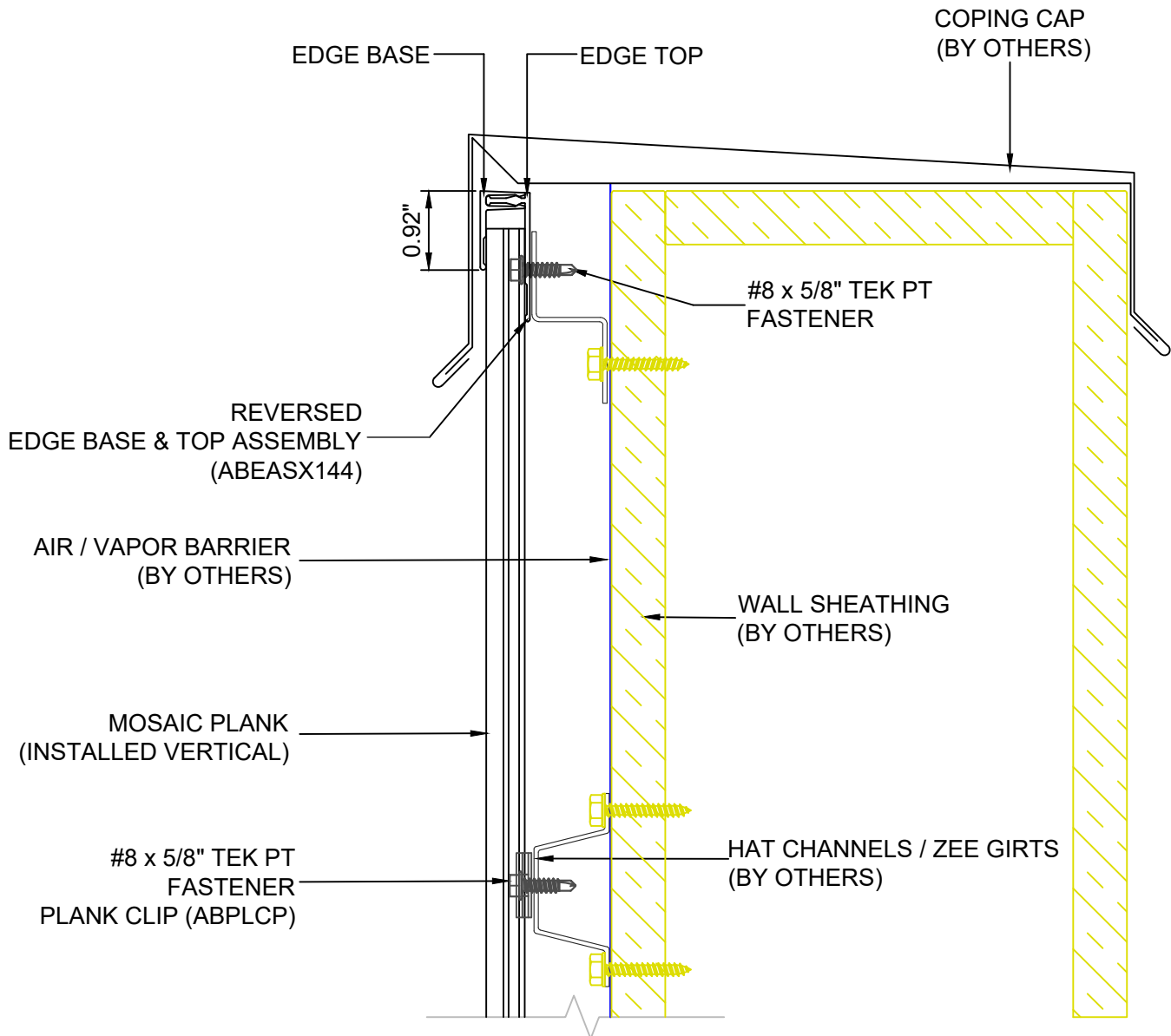
SYSTEM = MOSAIC

207

**\*\*ALL DETAILS SHOW MOSAIC ATTACHED TO HAT CHANNELS OVER SOLID SUBSTRATE\*\***  
**\*\*REFERENCE LOAD SPAN TABLES FOR ALL ATTACHMENT TYPES, ANCHOR TYPES, & ANCHOR SPACING\*\***

INSTALLATION OPTIONS ARE:

- 1) OPEN FRAMING - WOOD OR METAL STUDS
- 2) WOOD SHEATHING
- 3) HAT CHANNEL OVER SHEATHING WITHOUT OR WITH A \*VAPOR BARRIER (\*RECOMMENDED FOR WALLS)



2529 W. Jackson St.  
Phoenix, AZ 85298

PHONE: (602) 275-1676  
FAX: (602) 275-1739

**VERT @ CEILING BASE & TOP RVRSD PPT**

**208**

SCALE: NTS

TBD

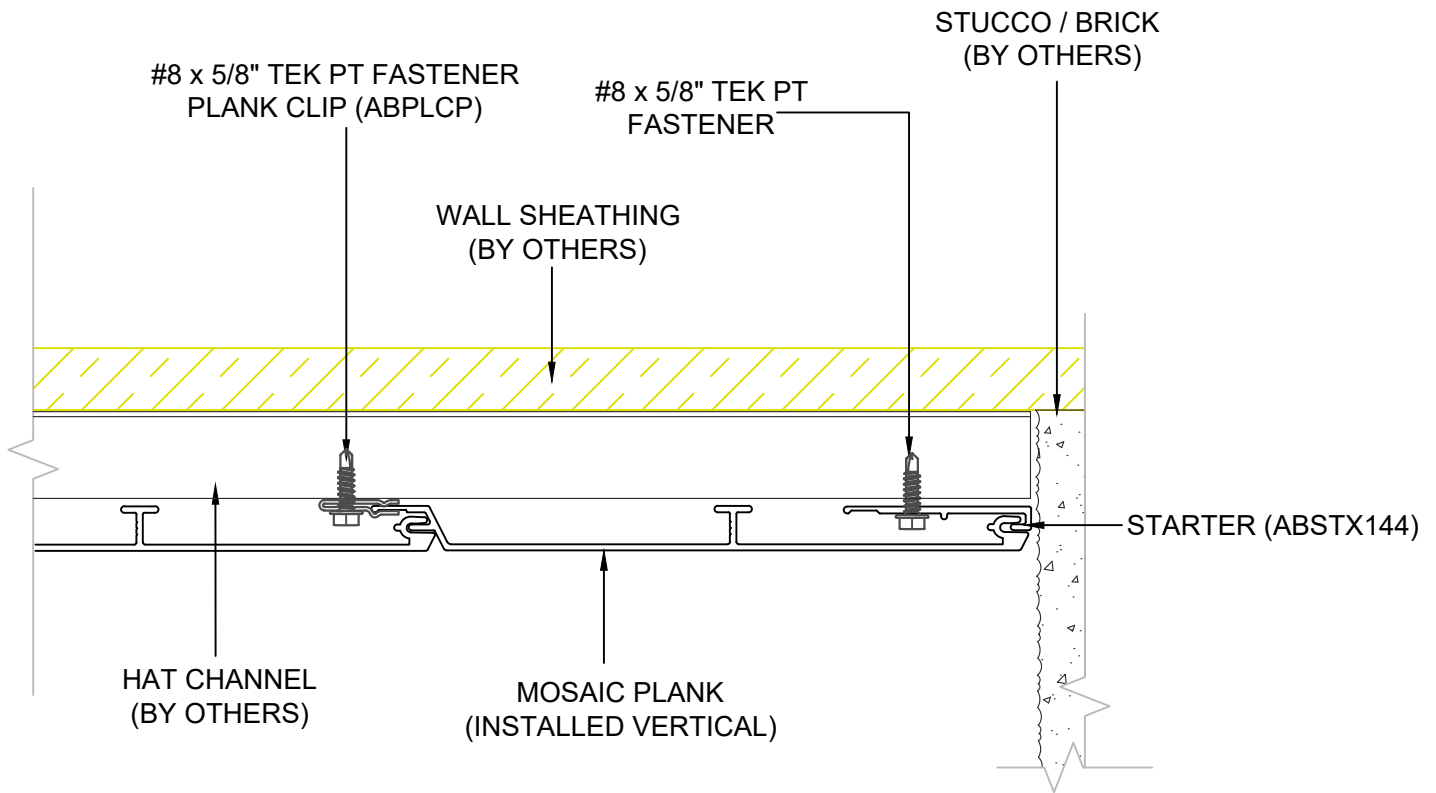
SYSTEM = MOSAIC

**\*\*ALL DETAILS SHOW MOSAIC ATTACHED TO HAT CHANNELS OVER SOLID SUBSTRATE\*\***

**\*\*REFERENCE LOAD SPAN TABLES FOR ALL ATTACHMENT TYPES, ANCHOR TYPES, & ANCHOR SPACING\*\***

INSTALLATION OPTIONS ARE:

- 1) OPEN FRAMING - WOOD OR METAL STUDS
- 2) WOOD SHEATHING
- 3) HAT CHANNEL OVER SHEATHING WITHOUT OR WITH A \*VAPOR BARRIER (\*RECOMMENDED FOR WALLS)



2529 W. Jackson St.  
Phoenix, AZ 85298

PHONE: (602) 275-1676  
FAX: (602) 275-1739

VERT @ STARTER

SCALE: NTS

TBD

SYSTEM = MOSAIC

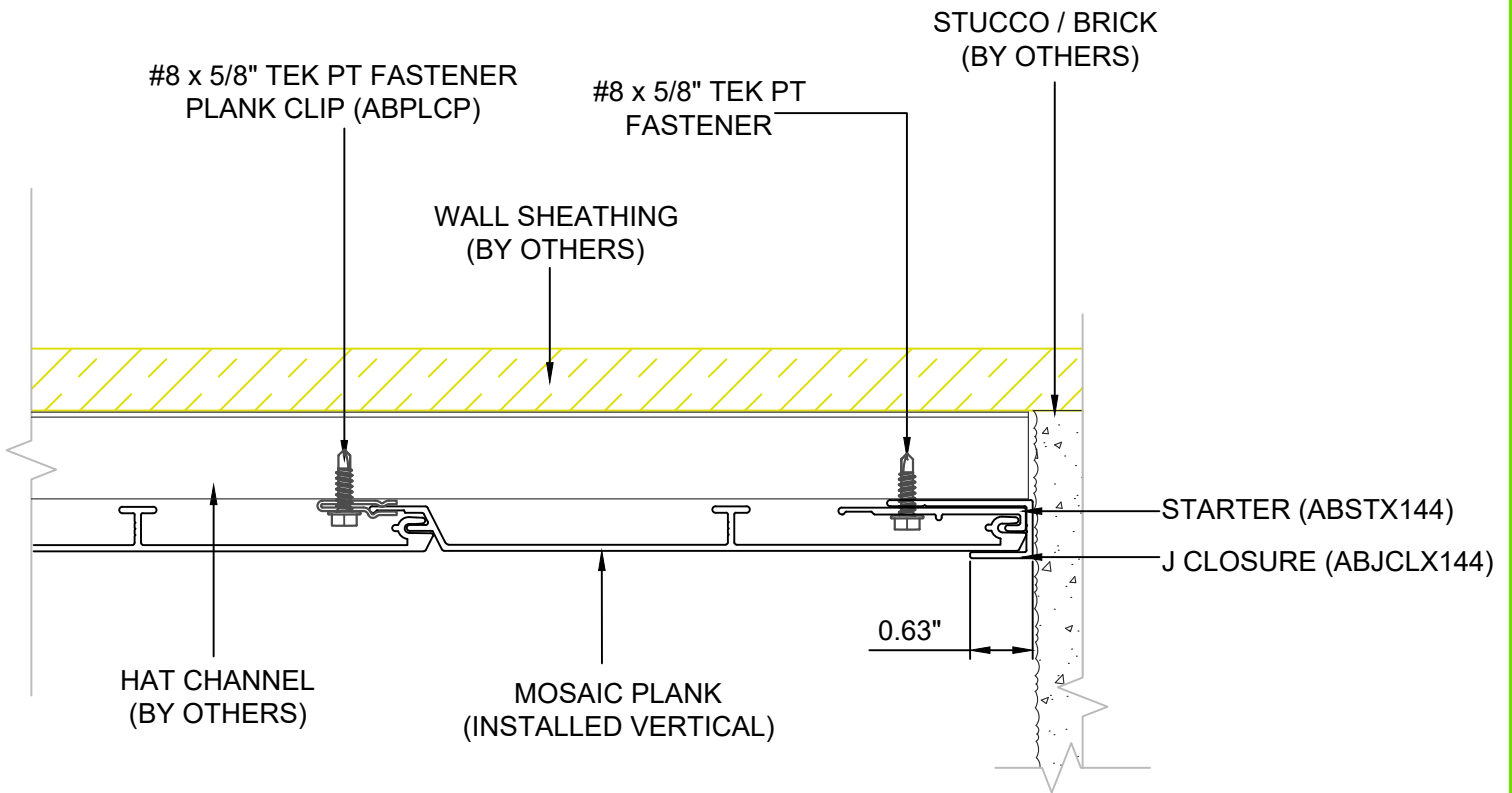
209

**\*\*ALL DETAILS SHOW MOSAIC ATTACHED TO HAT CHANNELS OVER SOLID SUBSTRATE\*\***

**\*\*REFERENCE LOAD SPAN TABLES FOR ALL ATTACHMENT TYPES, ANCHOR TYPES, & ANCHOR SPACING\*\***

INSTALLATION OPTIONS ARE:

- 1) OPEN FRAMING - WOOD OR METAL STUDS
- 2) WOOD SHEATHING
- 3) HAT CHANNEL OVER SHEATHING WITHOUT OR WITH A \*VAPOR BARRIER (\*RECOMMENDED FOR WALLS)



2529 W. Jackson St.  
Phoenix, AZ 85298  
PHONE: (602) 275-1676  
FAX: (602) 275-1739

## VERT @ J-CLOSURE & STARTER

210

SCALE: NTS

TBD

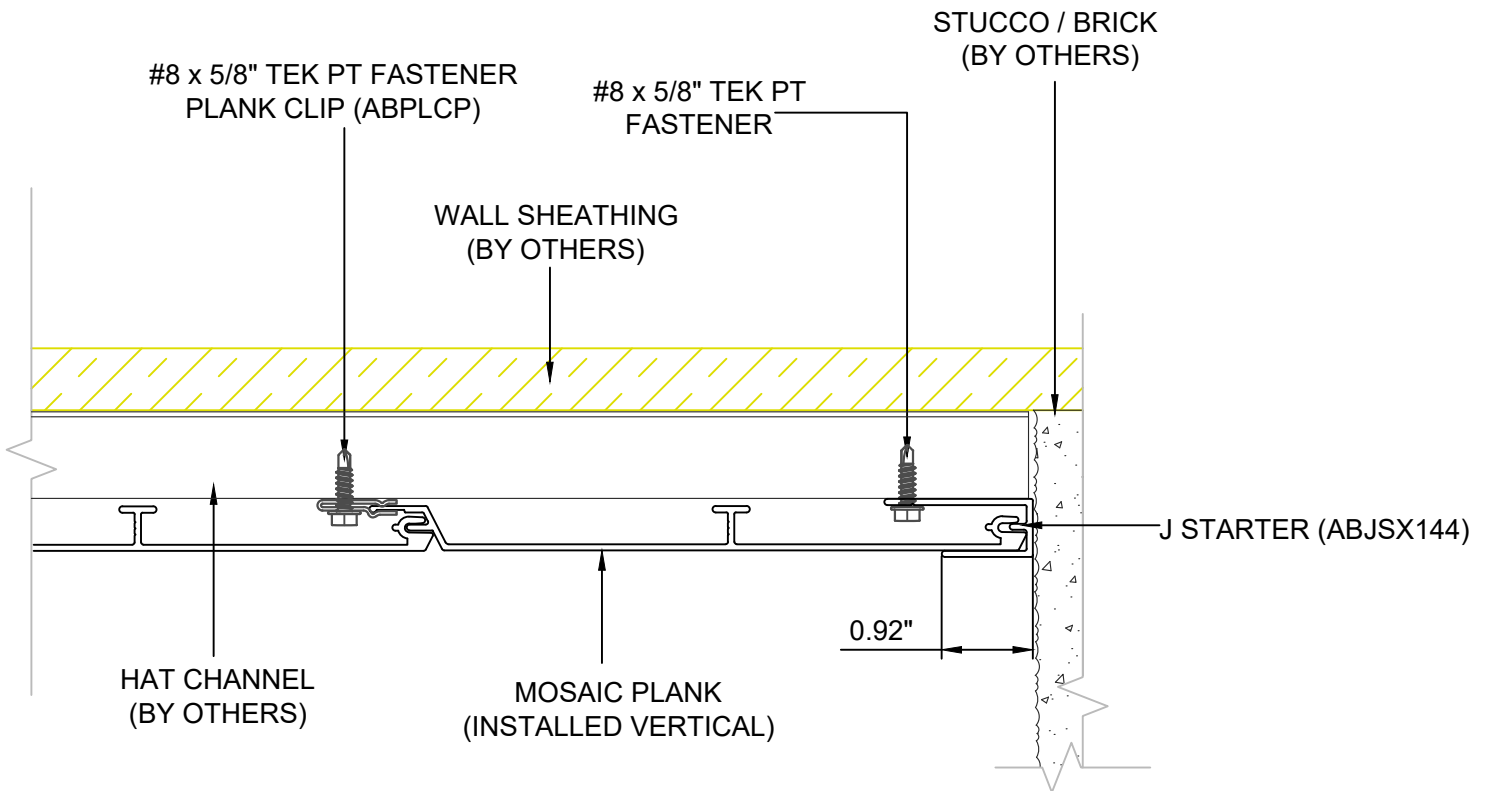
SYSTEM = MOSAIC

**\*\*ALL DETAILS SHOW MOSAIC ATTACHED TO HAT CHANNELS OVER SOLID SUBSTRATE\*\***

**\*\*REFERENCE LOAD SPAN TABLES FOR ALL ATTACHMENT TYPES, ANCHOR TYPES, & ANCHOR SPACING\*\***

INSTALLATION OPTIONS ARE:

- 1) OPEN FRAMING - WOOD OR METAL STUDS
- 2) WOOD SHEATHING
- 3) HAT CHANNEL OVER SHEATHING WITHOUT OR WITH A \*VAPOR BARRIER (\*RECOMMENDED FOR WALLS)



2529 W. Jackson St.  
Phoenix, AZ 85298

PHONE: (602) 275-1676  
FAX: (602) 275-1739

VERT @ J-STARTER

SCALE: NTS

TBD

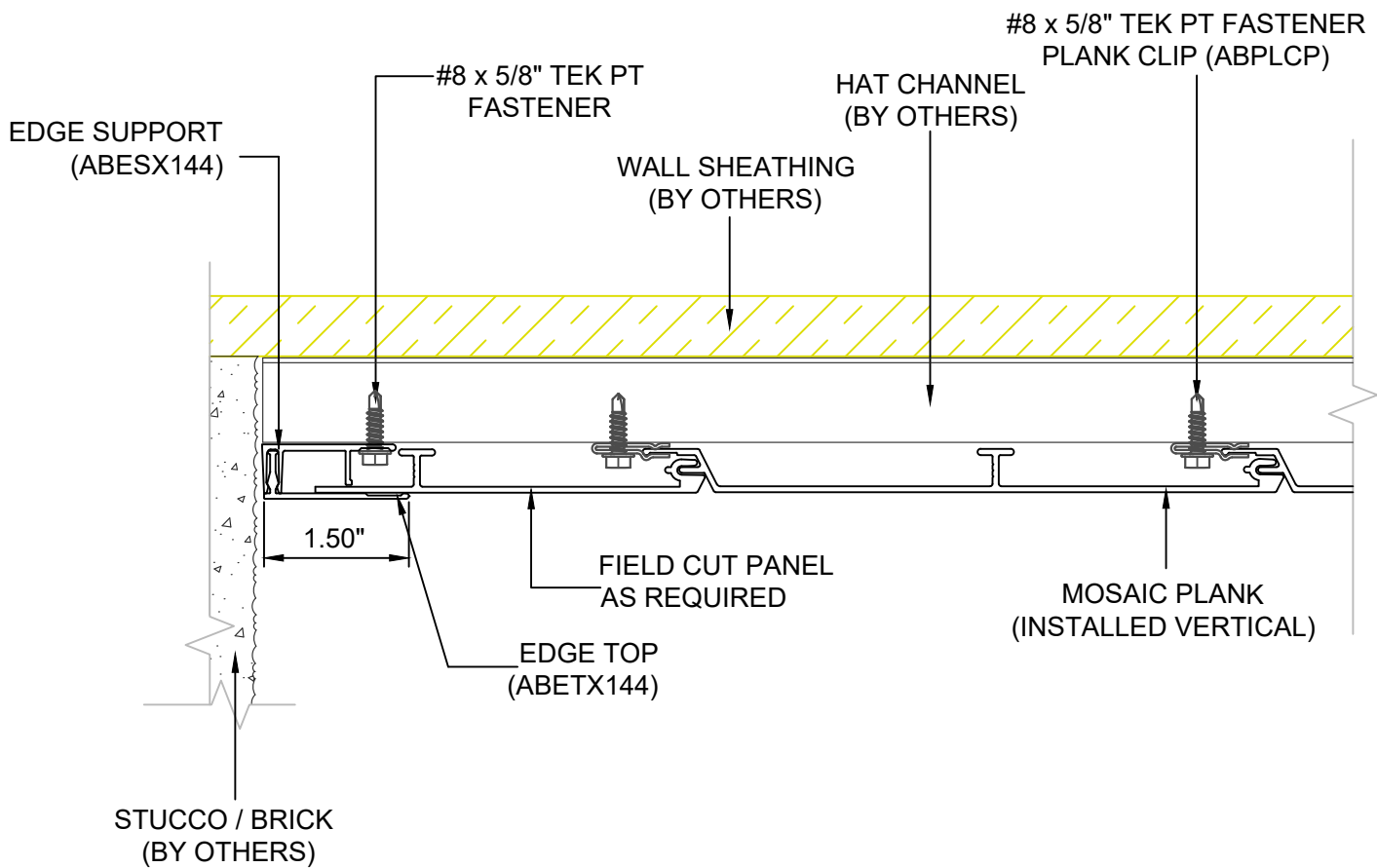
SYSTEM = MOSAIC

211

**\*\*ALL DETAILS SHOW MOSAIC ATTACHED TO HAT CHANNELS OVER SOLID SUBSTRATE\*\***  
**\*\*REFERENCE LOAD SPAN TABLES FOR ALL ATTACHMENT TYPES, ANCHOR TYPES, & ANCHOR SPACING\*\***

INSTALLATION OPTIONS ARE:

- 1) OPEN FRAMING - WOOD OR METAL STUDS
- 2) WOOD SHEATHING
- 3) HAT CHANNEL OVER SHEATHING WITHOUT OR WITH A \*VAPOR BARRIER (\*RECOMMENDED FOR WALLS)



2529 W. Jackson St.  
 Phoenix, AZ 85298  
 PHONE: (602) 275-1676  
 FAX: (602) 275-1739

## VERT @ EDGE SUPPORT

SCALE: NTS

TBD

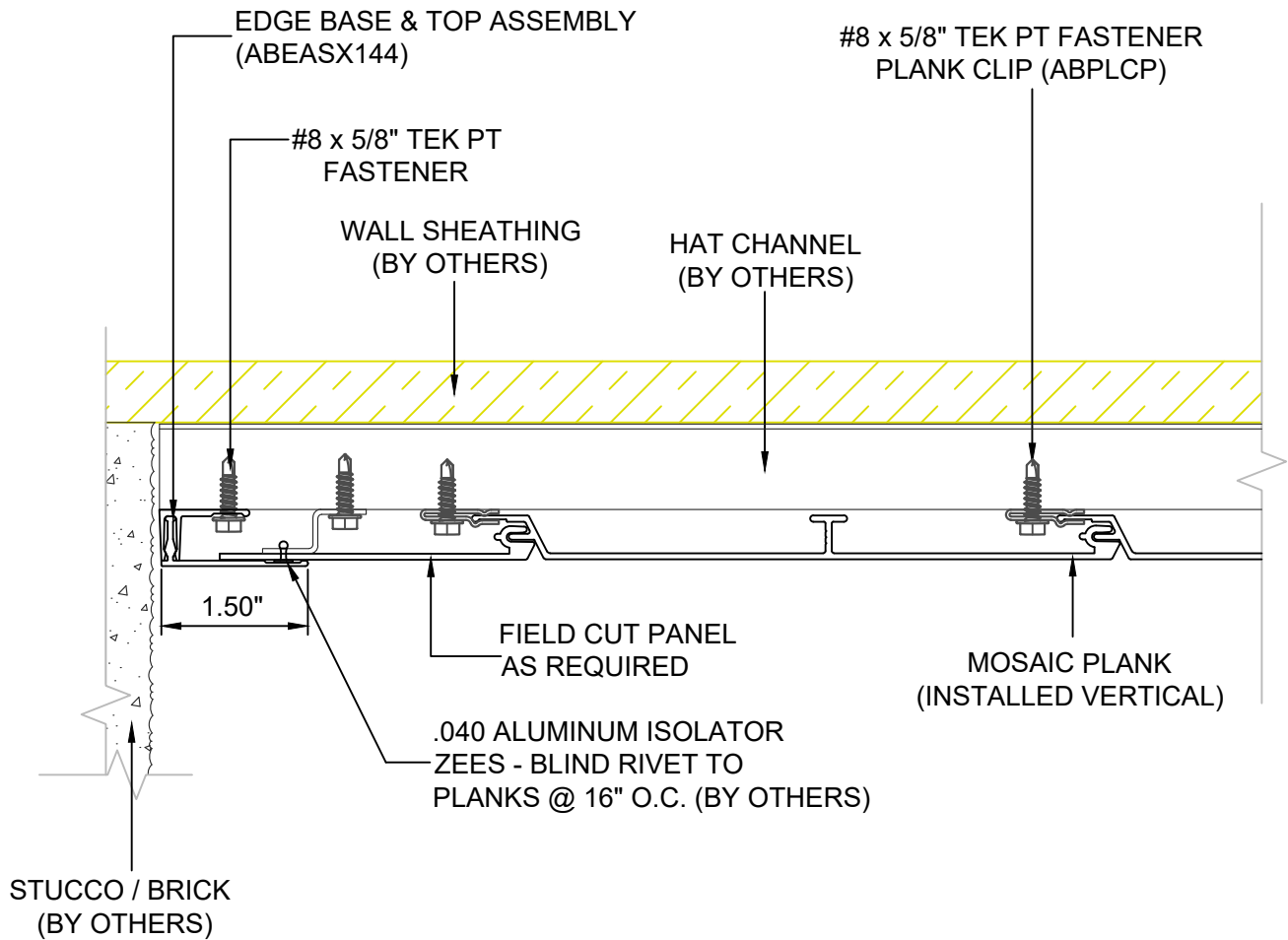
SYSTEM = MOSAIC

212

**\*\*ALL DETAILS SHOW MOSAIC ATTACHED TO HAT CHANNELS OVER SOLID SUBSTRATE\*\***  
**\*\*REFERENCE LOAD SPAN TABLES FOR ALL ATTACHMENT TYPES, ANCHOR TYPES, & ANCHOR SPACING\*\***

INSTALLATION OPTIONS ARE:

- 1) OPEN FRAMING - WOOD OR METAL STUDS
- 2) WOOD SHEATHING
- 3) HAT CHANNEL OVER SHEATHING WITHOUT OR WITH A \*VAPOR BARRIER (\*RECOMMENDED FOR WALLS)



2529 W. Jackson St.  
 Phoenix, AZ 85298  
 PHONE: (602) 275-1676  
 FAX: (602) 275-1739

## VERT @ BASE & TOP ASSY

SCALE: NTS

TBD

SYSTEM = MOSAIC

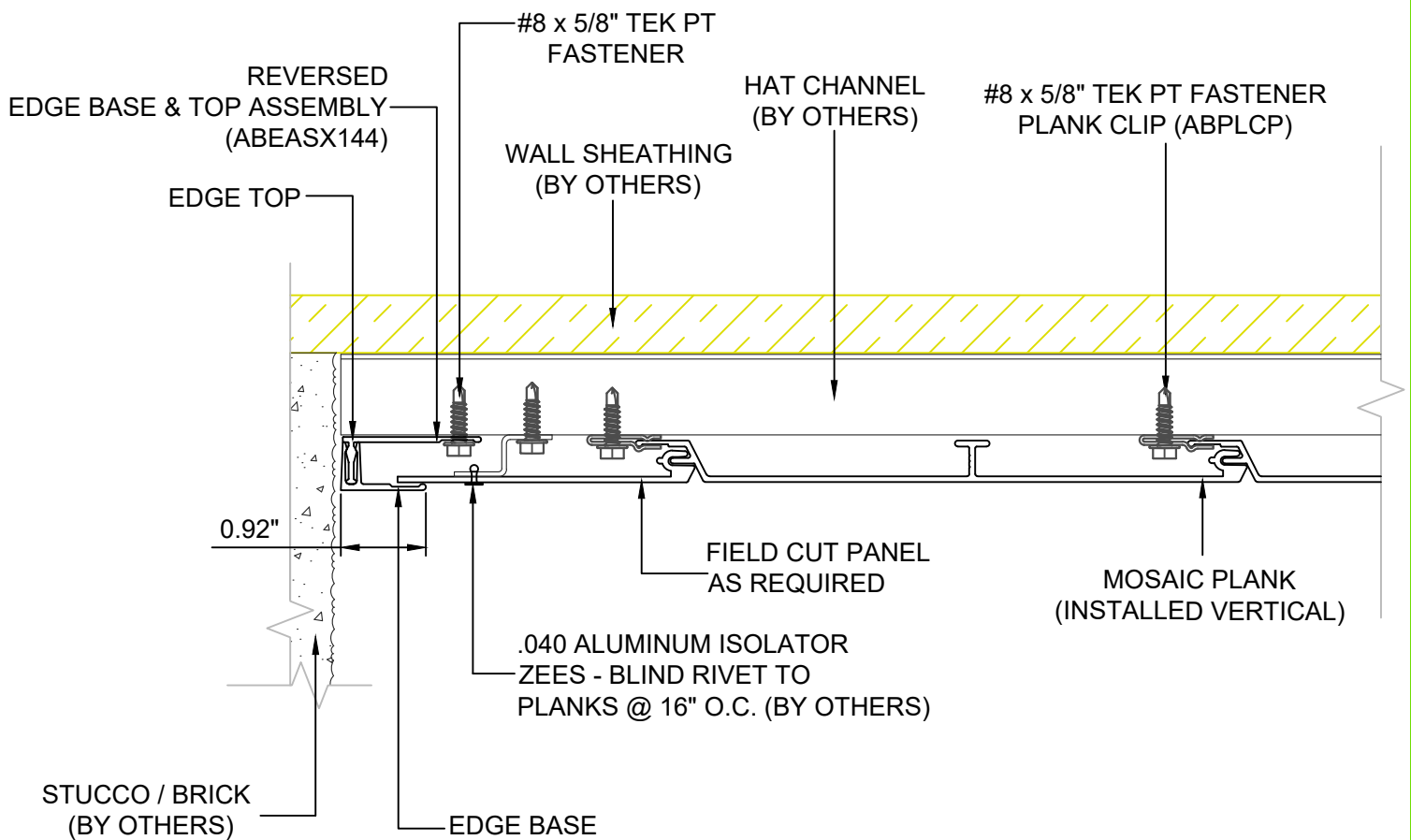
213



**\*\*ALL DETAILS SHOW MOSAIC ATTACHED TO HAT CHANNELS OVER SOLID SUBSTRATE\*\***  
**\*\*REFERENCE LOAD SPAN TABLES FOR ALL ATTACHMENT TYPES, ANCHOR TYPES, & ANCHOR SPACING\*\***

INSTALLATION OPTIONS ARE:

- 1) OPEN FRAMING - WOOD OR METAL STUDS
- 2) WOOD SHEATHING
- 3) HAT CHANNEL OVER SHEATHING WITHOUT OR WITH A \*VAPOR BARRIER (\*RECOMMENDED FOR WALLS)



2529 W. Jackson St.  
 Phoenix, AZ 85298  
 PHONE: (602) 275-1676  
 FAX: (602) 275-1739

## VERT @ BASE & TOP RVRSD ASSY

214

SCALE: NTS

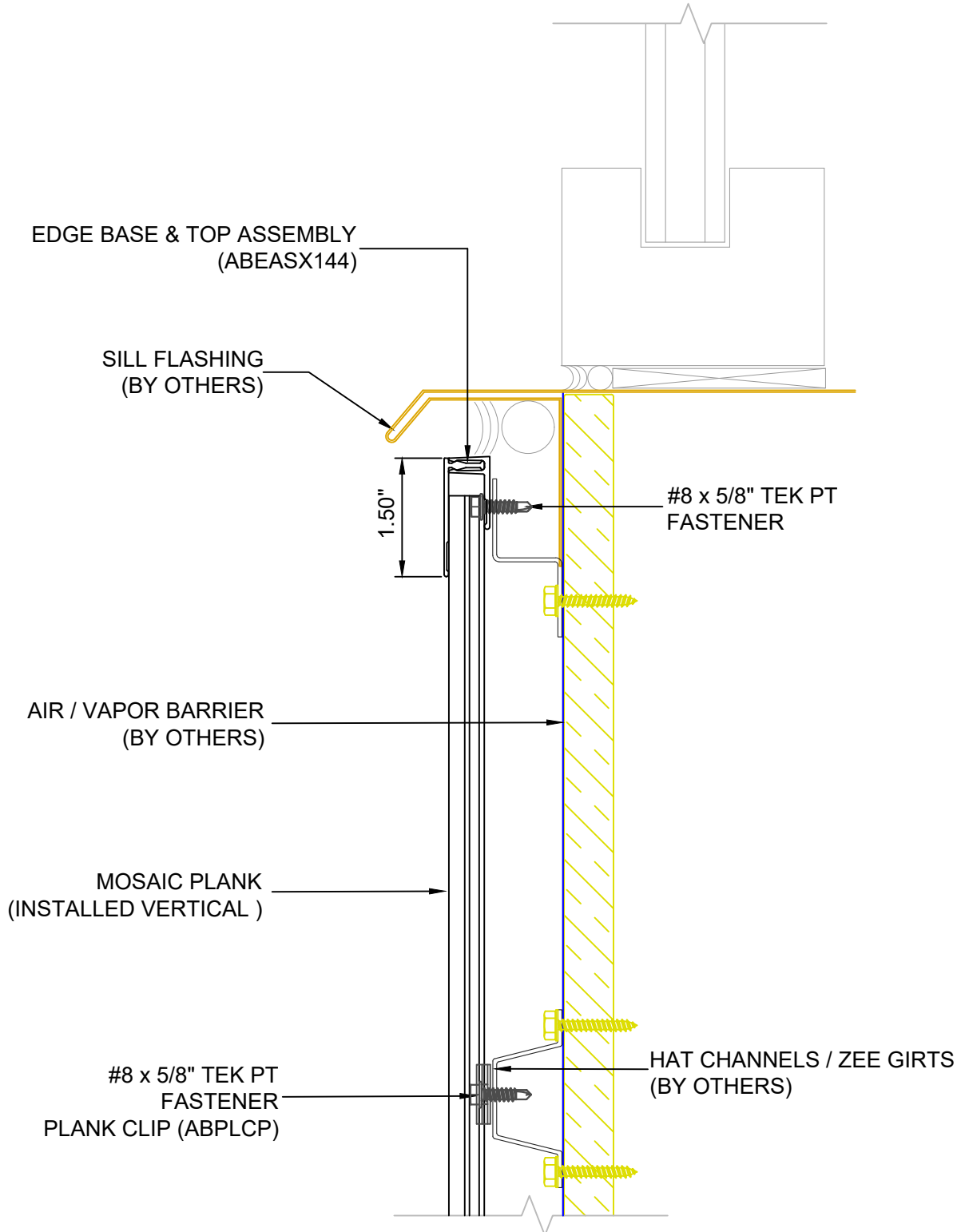
TBD

SYSTEM = MOSAIC

**\*\*ALL DETAILS SHOW MOSAIC ATTACHED TO HAT CHANNELS OVER SOLID SUBSTRATE\*\***  
**\*\*REFERENCE LOAD SPAN TABLES FOR ALL ATTACHMENT TYPES, ANCHOR TYPES, & ANCHOR SPACING\*\***

INSTALLATION OPTIONS ARE:

- 1) OPEN FRAMING - WOOD OR METAL STUDS
- 2) WOOD SHEATHING
- 3) HAT CHANNEL OVER SHEATHING WITHOUT OR WITH A \*VAPOR BARRIER (\*RECOMMENDED FOR WALLS)



2529 W. Jackson St.  
 Phoenix, AZ 85298  
 PHONE: (602) 275-1676  
 FAX: (602) 275-1739

## VERT @ SILL EDGE BASE & TOP ASSY

215

SCALE: NTS

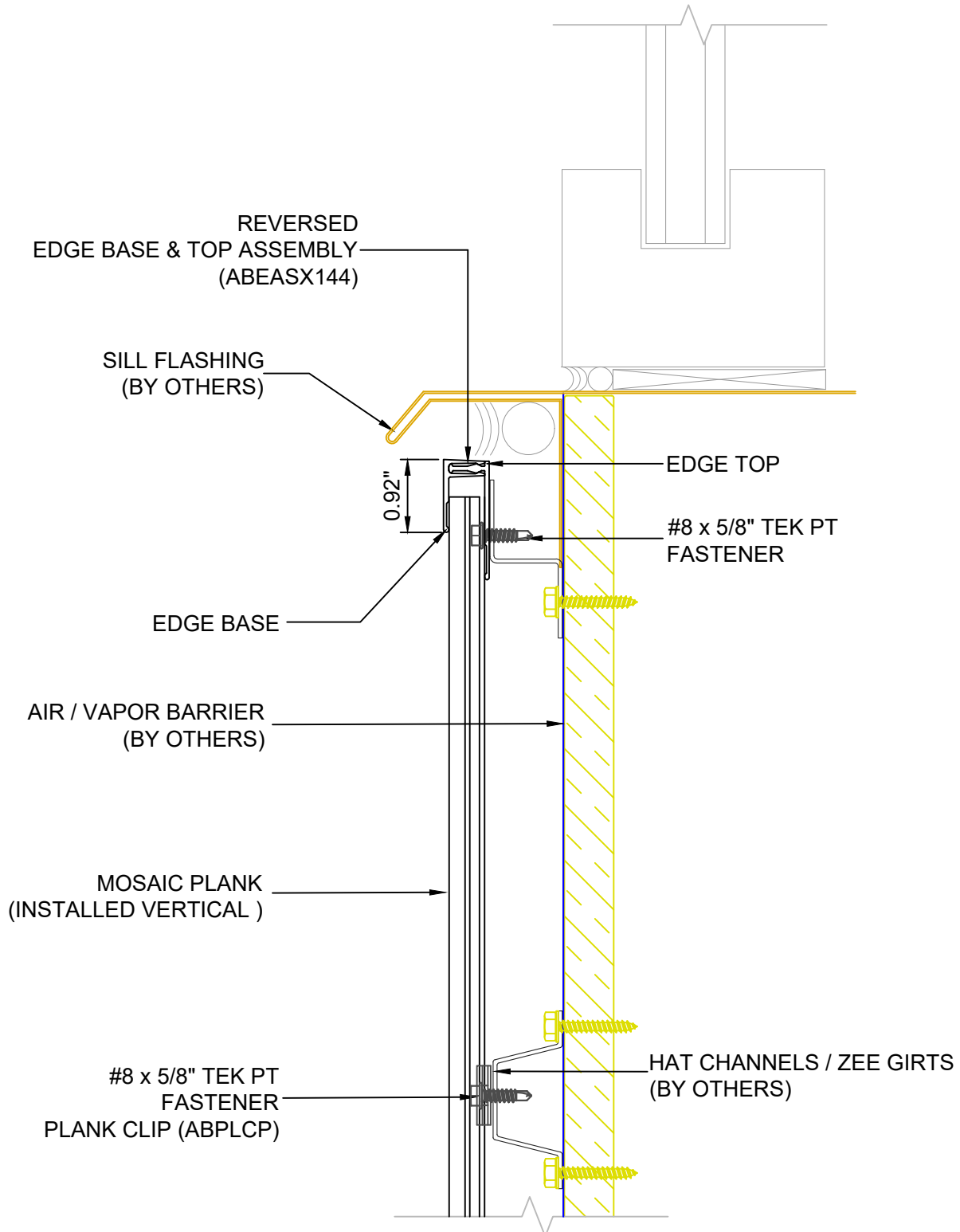
TBD

SYSTEM = MOSAIC

**\*\*ALL DETAILS SHOW MOSAIC ATTACHED TO HAT CHANNELS OVER SOLID SUBSTRATE\*\***  
**\*\*REFERENCE LOAD SPAN TABLES FOR ALL ATTACHMENT TYPES, ANCHOR TYPES, & ANCHOR SPACING\*\***

INSTALLATION OPTIONS ARE:

- 1) OPEN FRAMING - WOOD OR METAL STUDS
- 2) WOOD SHEATHING
- 3) HAT CHANNEL OVER SHEATHING WITHOUT OR WITH A \*VAPOR BARRIER (\*RECOMMENDED FOR WALLS)



2529 W. Jackson St.  
 Phoenix, AZ 85298  
 PHONE: (602) 275-1676  
 FAX: (602) 275-1739

## VERT @ SILL EDGE BASE & TOP RVRD

216

SCALE: NTS

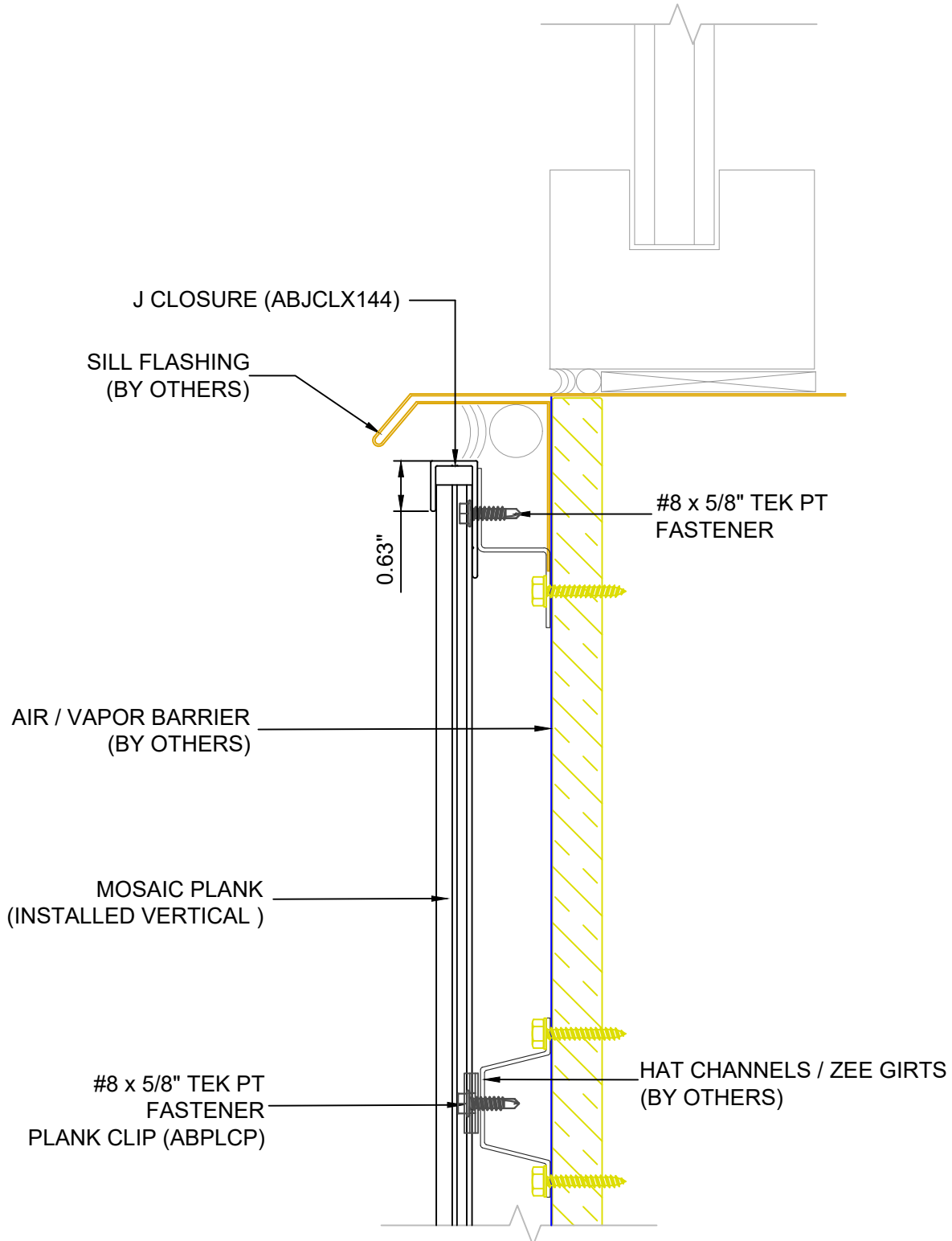
TBD

SYSTEM = MOSAIC

**\*\*ALL DETAILS SHOW MOSAIC ATTACHED TO HAT CHANNELS OVER SOLID SUBSTRATE\*\***  
**\*\*REFERENCE LOAD SPAN TABLES FOR ALL ATTACHMENT TYPES, ANCHOR TYPES, & ANCHOR SPACING\*\***

INSTALLATION OPTIONS ARE:

- 1) OPEN FRAMING - WOOD OR METAL STUDS
- 2) WOOD SHEATHING
- 3) HAT CHANNEL OVER SHEATHING WITHOUT OR WITH A \*VAPOR BARRIER (\*RECOMMENDED FOR WALLS)



2529 W. Jackson St.  
 Phoenix, AZ 85298  
 PHONE: (602) 275-1676  
 FAX: (602) 275-1739

## VERT @ SILL J CLOSURE

SCALE: NTS

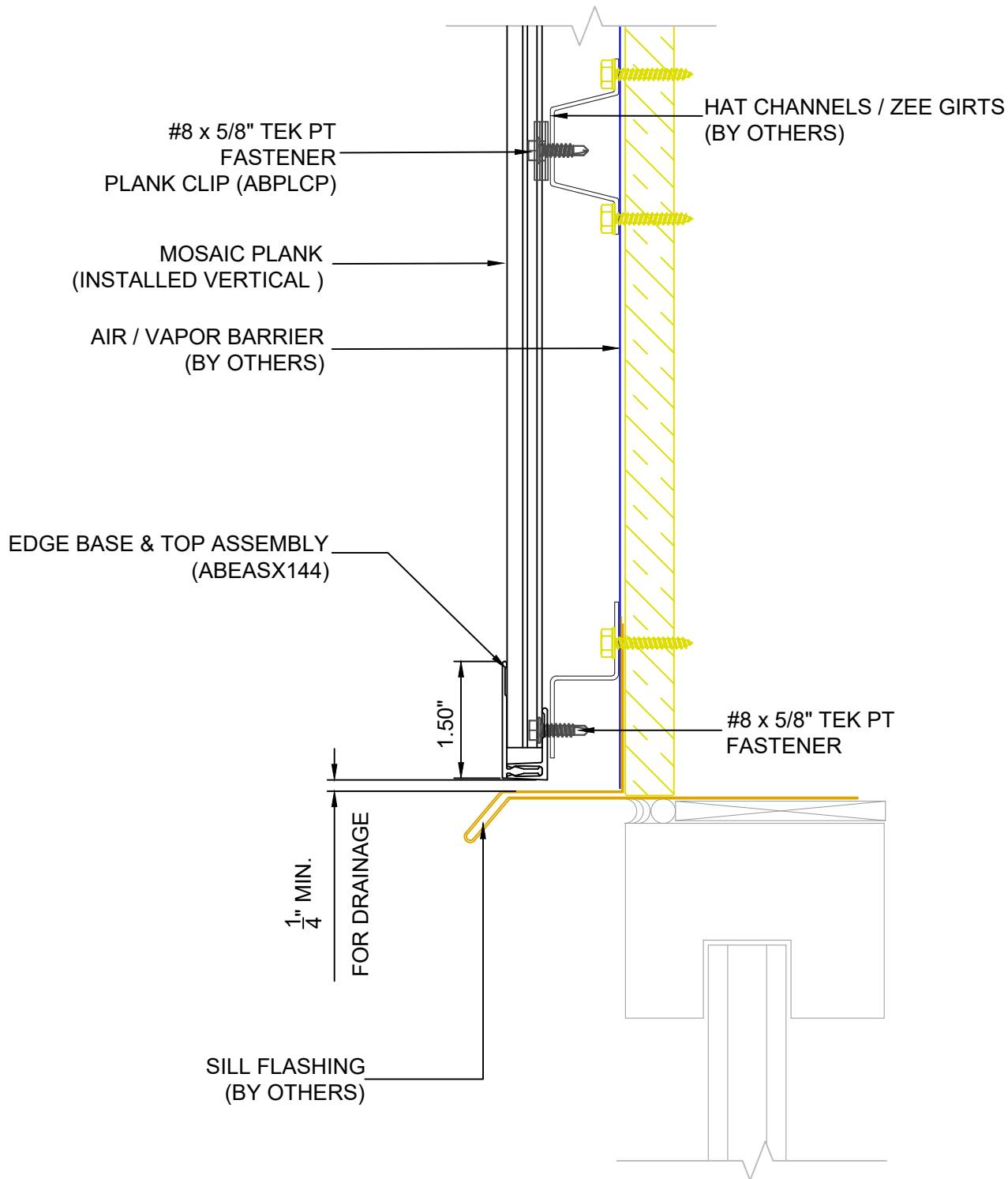
TBD

SYSTEM = MOSAIC

**\*\*ALL DETAILS SHOW MOSAIC ATTACHED TO HAT CHANNELS OVER SOLID SUBSTRATE\*\***  
**\*\*REFERENCE LOAD SPAN TABLES FOR ALL ATTACHMENT TYPES, ANCHOR TYPES, & ANCHOR SPACING\*\***

INSTALLATION OPTIONS ARE:

- 1) OPEN FRAMING - WOOD OR METAL STUDS
- 2) WOOD SHEATHING
- 3) HAT CHANNEL OVER SHEATHING WITHOUT OR WITH A \*VAPOR BARRIER (\*RECOMMENDED FOR WALLS)



2529 W. Jackson St.  
Phoenix, AZ 85298  
PHONE: (602) 275-1676  
FAX: (602) 275-1739

## VERT @ HEADER EDGE BASE & TOP ASSY

218

SCALE: NTS

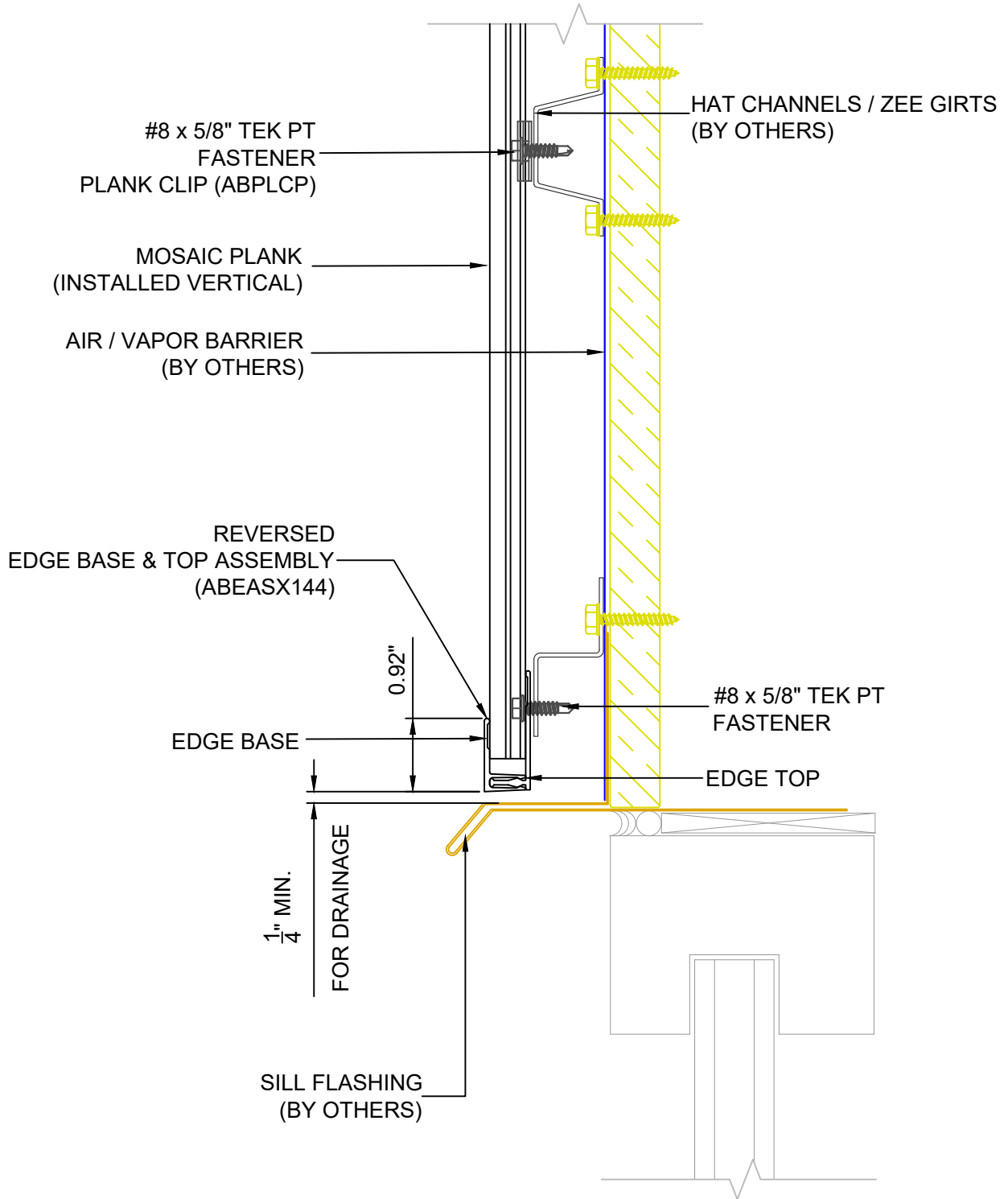
TBD

SYSTEM = MOSAIC

**\*\*ALL DETAILS SHOW MOSAIC ATTACHED TO HAT CHANNELS OVER SOLID SUBSTRATE\*\***  
**\*\*REFERENCE LOAD SPAN TABLES FOR ALL ATTACHMENT TYPES, ANCHOR TYPES, & ANCHOR SPACING\*\***

INSTALLATION OPTIONS ARE:

- 1) OPEN FRAMING - WOOD OR METAL STUDS
- 2) WOOD SHEATHING
- 3) HAT CHANNEL OVER SHEATHING WITHOUT OR WITH A \*VAPOR BARRIER (\*RECOMMENDED FOR WALLS)



2529 W. Jackson St.  
 Phoenix, AZ 85298  
 PHONE: (602) 275-1676  
 FAX: (602) 275-1739

**VERT @ HEADER EDGE BASE&TOP RVRSD**

**219**

SCALE: NTS

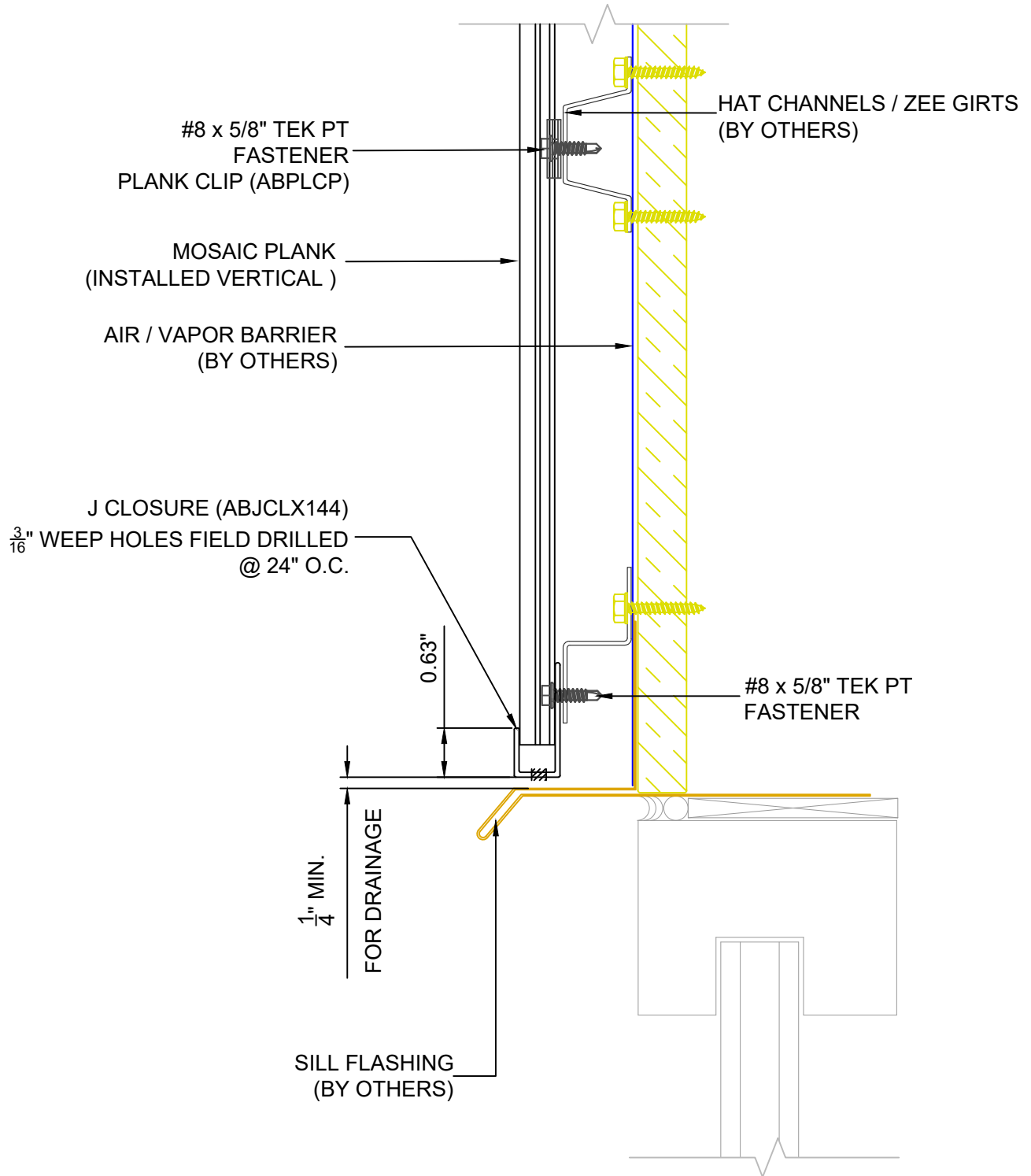
TBD

SYSTEM = MOSAIC

**\*\*ALL DETAILS SHOW MOSAIC ATTACHED TO HAT CHANNELS OVER SOLID SUBSTRATE\*\***  
**\*\*REFERENCE LOAD SPAN TABLES FOR ALL ATTACHMENT TYPES, ANCHOR TYPES, & ANCHOR SPACING\*\***

INSTALLATION OPTIONS ARE:

- 1) OPEN FRAMING - WOOD OR METAL STUDS
- 2) WOOD SHEATHING
- 3) HAT CHANNEL OVER SHEATHING WITHOUT OR WITH A \*VAPOR BARRIER (\*RECOMMENDED FOR WALLS)



2529 W. Jackson St.  
Phoenix, AZ 85298  
PHONE: (602) 275-1676  
FAX: (602) 275-1739

## VERT @ HEADER J CLOSURE

SCALE: NTS

TBD

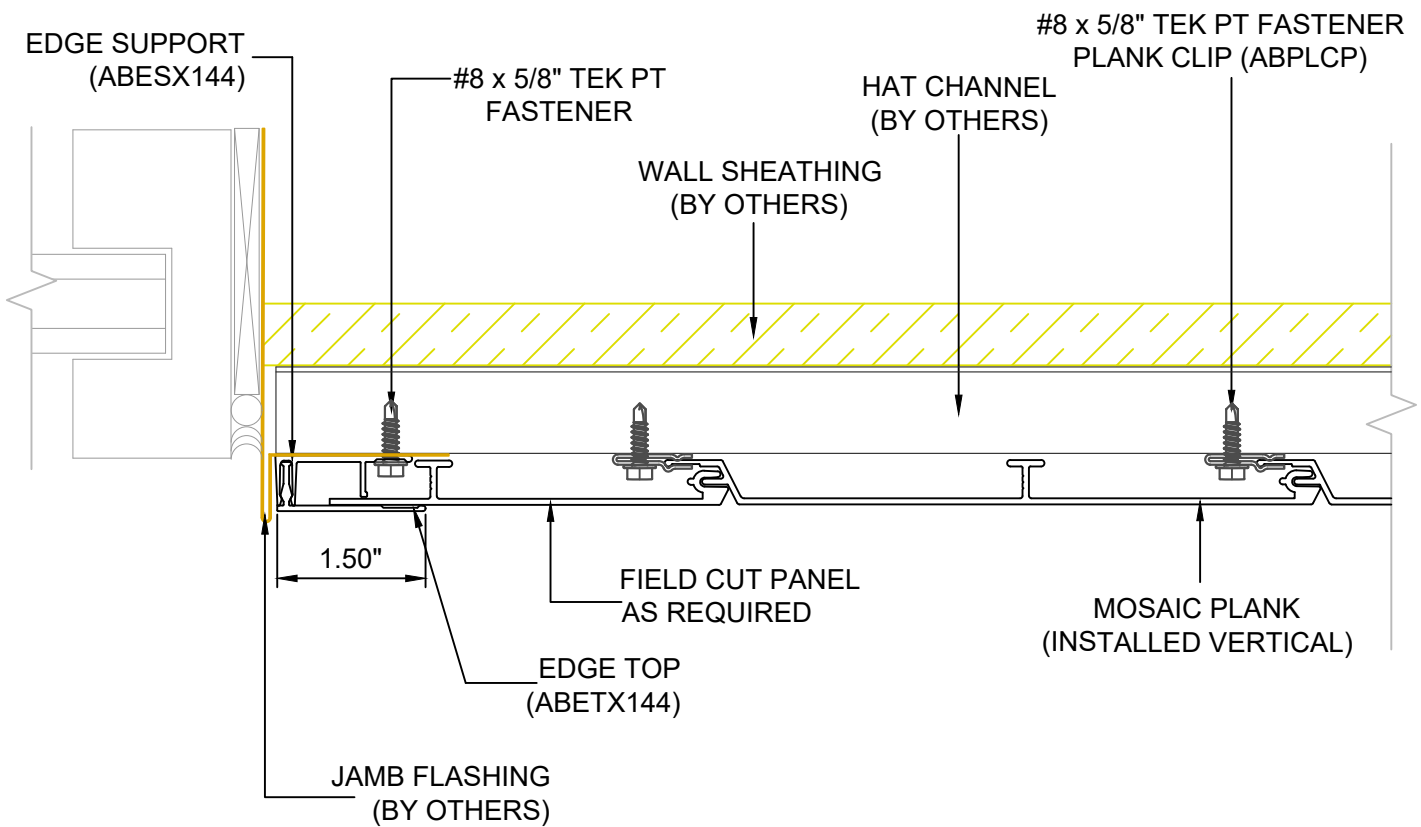
SYSTEM = MOSAIC

220

**\*\*ALL DETAILS SHOW MOSAIC ATTACHED TO HAT CHANNELS OVER SOLID SUBSTRATE\*\***  
**\*\*REFERENCE LOAD SPAN TABLES FOR ALL ATTACHMENT TYPES, ANCHOR TYPES, & ANCHOR SPACING\*\***

INSTALLATION OPTIONS ARE:

- 1) OPEN FRAMING - WOOD OR METAL STUDS
- 2) WOOD SHEATHING
- 3) HAT CHANNEL OVER SHEATHING WITHOUT OR WITH A \*VAPOR BARRIER (\*RECOMMENDED FOR WALLS)



2529 W. Jackson St.  
 Phoenix, AZ 85298  
 PHONE: (602) 275-1676  
 FAX: (602) 275-1739

## VERT @ SILL EDGE SUPPORT

SCALE: NTS

TBD

SYSTEM = MOSAIC

221

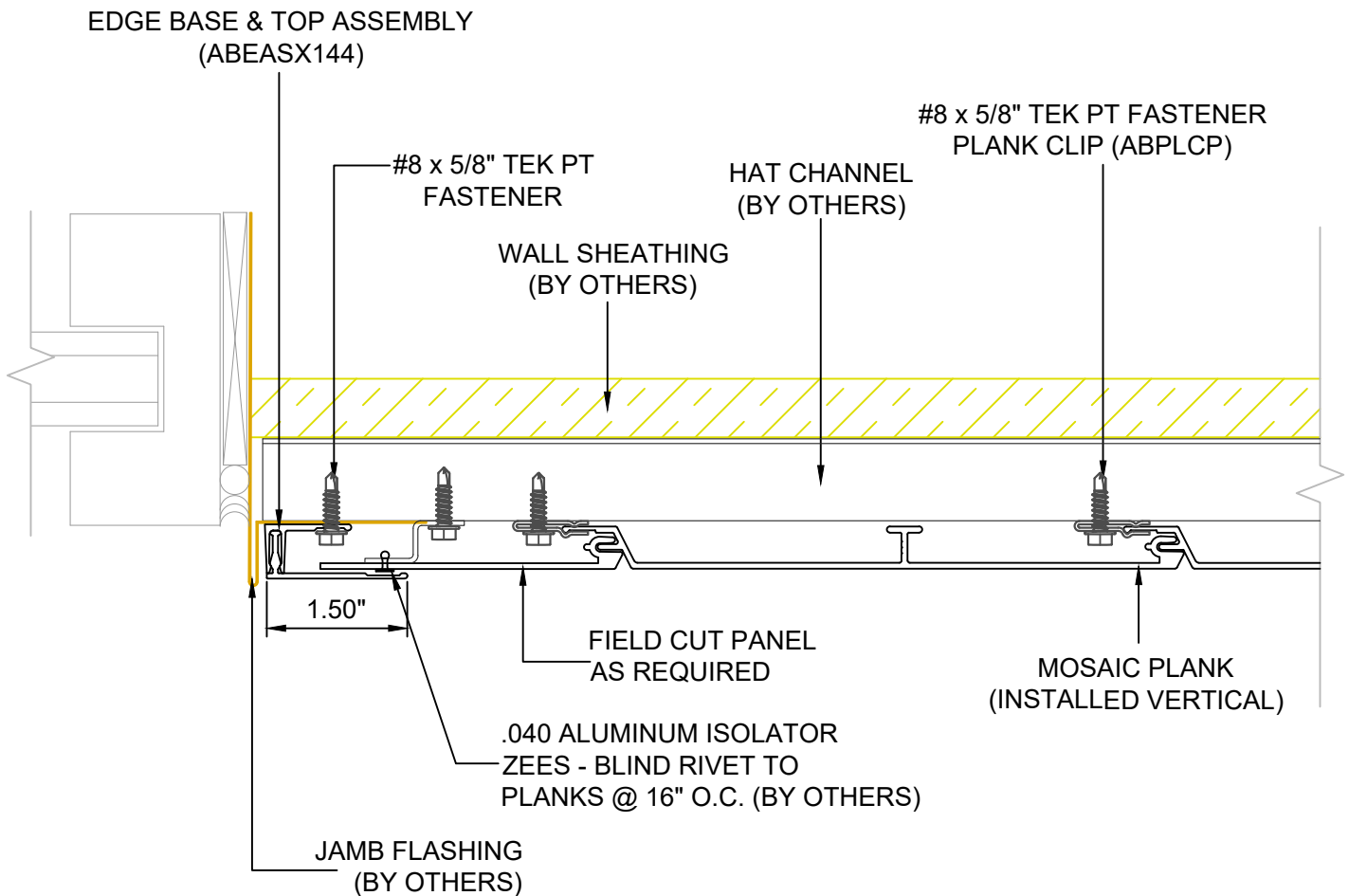


**\*\*ALL DETAILS SHOW MOSAIC ATTACHED TO HAT CHANNELS OVER SOLID SUBSTRATE\*\***

**\*\*REFERENCE LOAD SPAN TABLES FOR ALL ATTACHMENT TYPES, ANCHOR TYPES, & ANCHOR SPACING\*\***

INSTALLATION OPTIONS ARE:

- 1) OPEN FRAMING - WOOD OR METAL STUDS
- 2) WOOD SHEATHING
- 3) HAT CHANNEL OVER SHEATHING WITHOUT OR WITH A \*VAPOR BARRIER (\*RECOMMENDED FOR WALLS)



2529 W. Jackson St.  
Phoenix, AZ 85298

PHONE: (602) 275-1676

FAX: (602) 275-1739

**VERT @ SILL EDGE BASE & TOP ASSY**

SCALE: NTS

TBD

SYSTEM = MOSAIC

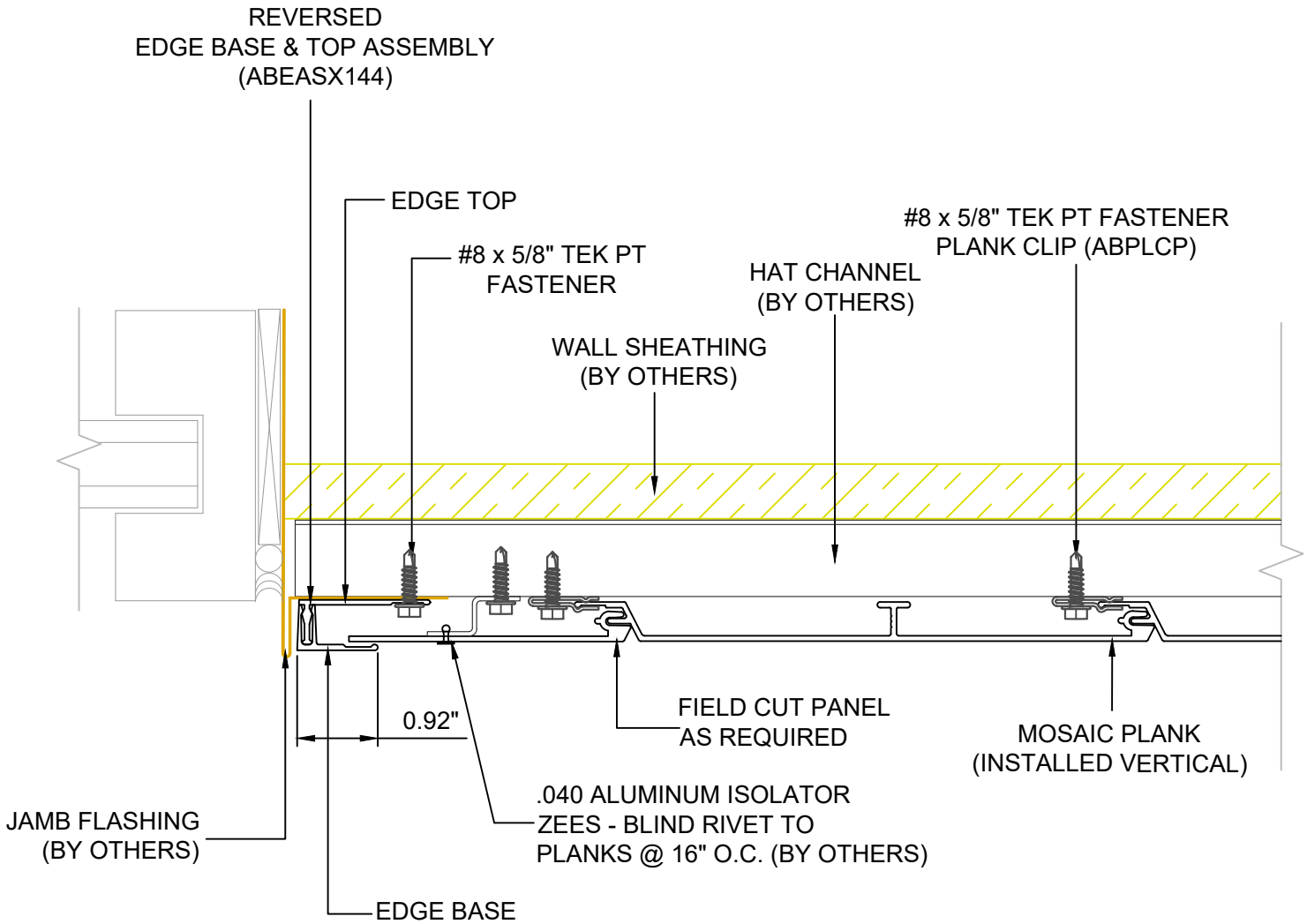
**222**

**\*\*ALL DETAILS SHOW MOSAIC ATTACHED TO HAT CHANNELS OVER SOLID SUBSTRATE\*\***

**\*\*REFERENCE LOAD SPAN TABLES FOR ALL ATTACHMENT TYPES, ANCHOR TYPES, & ANCHOR SPACING\*\***

INSTALLATION OPTIONS ARE:

- 1) OPEN FRAMING - WOOD OR METAL STUDS
- 2) WOOD SHEATHING
- 3) HAT CHANNEL OVER SHEATHING WITHOUT OR WITH A \*VAPOR BARRIER (\*RECOMMENDED FOR WALLS)



2529 W. Jackson St.  
Phoenix, AZ 85298

PHONE: (602) 275-1676  
FAX: (602) 275-1739

**VERT @ SILL EDGE BASE & TOP RVRSD**

SCALE: NTS

TBD

SYSTEM = MOSAIC

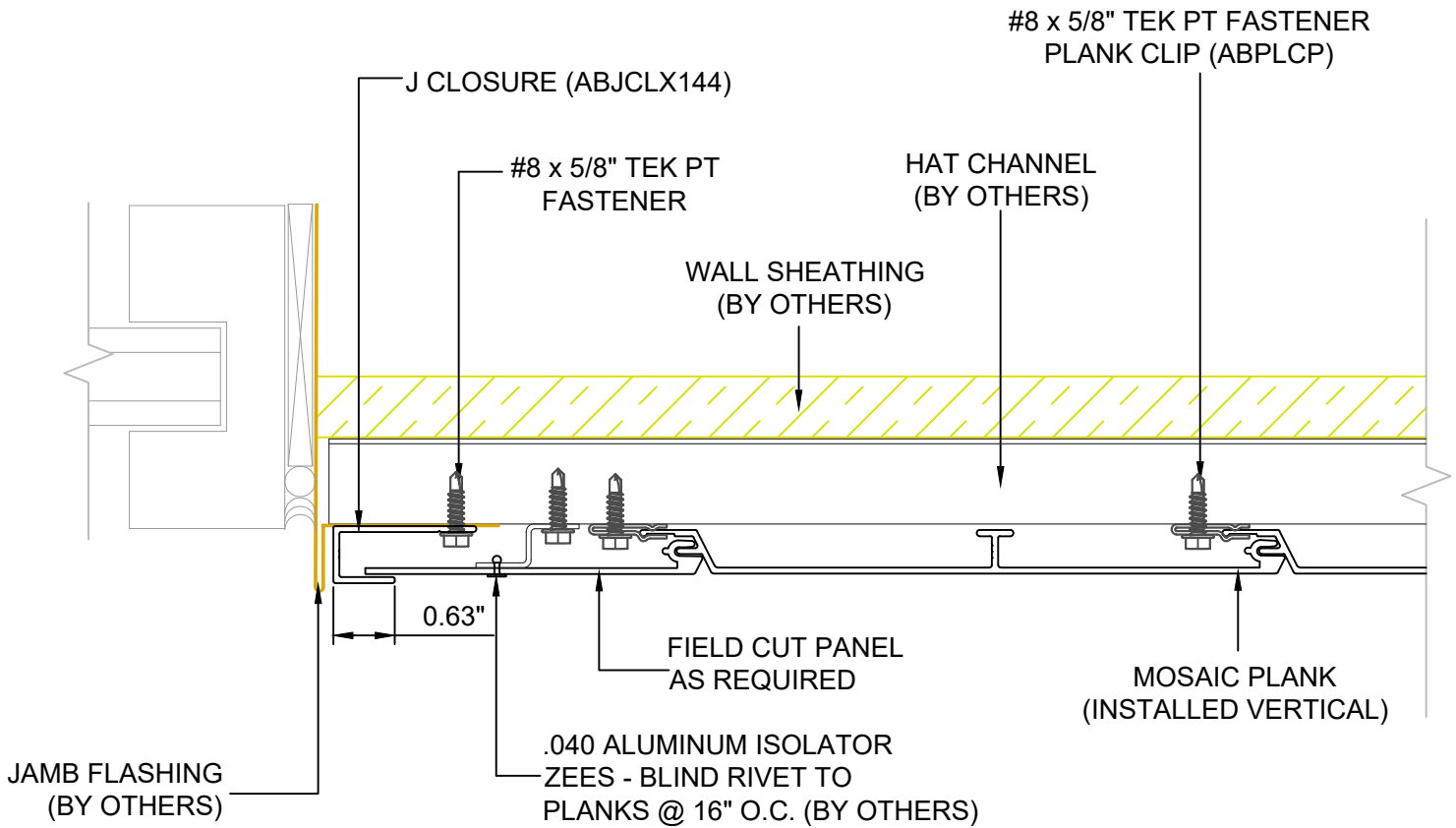
**223**

**\*\*ALL DETAILS SHOW MOSAIC ATTACHED TO HAT CHANNELS OVER SOLID SUBSTRATE\*\***

**\*\*REFERENCE LOAD SPAN TABLES FOR ALL ATTACHMENT TYPES, ANCHOR TYPES, & ANCHOR SPACING\*\***

INSTALLATION OPTIONS ARE:

- 1) OPEN FRAMING - WOOD OR METAL STUDS
- 2) WOOD SHEATHING
- 3) HAT CHANNEL OVER SHEATHING WITHOUT OR WITH A \*VAPOR BARRIER (\*RECOMMENDED FOR WALLS)



2529 W. Jackson St.  
Phoenix, AZ 85298

PHONE: (602) 275-1676  
FAX: (602) 275-1739

VERT @ SILL J CLOSURE

SCALE: NTS

TBD

SYSTEM = MOSAIC

224