



# Lumabuilt

## PRODUCT DATA SHEET

### ACM A1000 NF

## NON EXPOSED RAINSCREEN SYSTEM

Visage  
Aluminum Composite Material

### Product Name

A1000NF Non Exposed Rainscreen System

### Manufacturer

Lumabuilt  
Lumabuilt.com

### Product Description

A1000NF 4MM Drain-Back Ventilated Rainscreen System is fully integrated and tested. It can use Visage ACM sheets or one of our manufacturing partners' ACM sheets. It is also available for field fabrication.

Finishes: Solid, Mica Pearlescent and Woodgrain Available

### Technical Data

- Fully ICC certified (ESR-5448)
- Product Testing: Fire and Physical Performance NFPA 285, ASTM D-1929, ASTM E-8, ASTM E-84, ASTM D-635, ASTM D-1781, ASTM C-297
- Product Testing: Air, Water and Structure ASTM E-283-04, ASTM E-331-00, ASTM E-330-02

### Installation

Our A1000 NF Rainscreen System is an exterior cladding system designed to allow incidental water to enter the system and exit through weep holes. The "NF" frame has been fabricated in such a way to not show any fasteners when the system is installed. Visage ACM is easy to install and requires no special tools with the exception of standard installation tools. Visage panels will arrive with the Frame and Stiffener Extrusions pre-mounted (if required), the panels will have all necessary weep holes pre-drilled, and each panel will have an angle brace mounted on the backside corners to strengthen the assembly. Sill, Wall Clip, and Modified Extrusions should have been pre-ordered and shipped with panel assemblies. ACM Reveal Color Strips will be shipped with panels; they will be of the same thickness as the project ACM. Color strips are 1½" wide x Varied lengths for the standard 1/2" reveal system, but can be made larger up to 12" for a wider reveal feature.

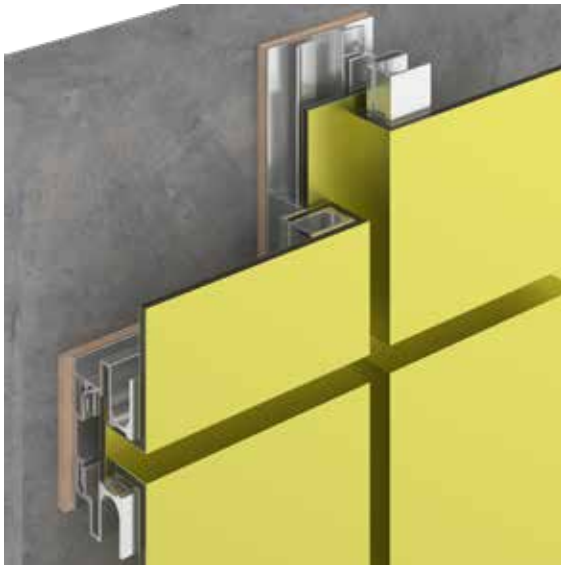
### Maintenance

Lumabuilt's Visage aluminum composite panels come with organic coatings designed for premium aesthetic appearance and minimum maintenance. We do recommend cleaning the painted surface to maintain the best appearance. Visage warranties require the purchaser to implement a regular cleaning schedule in order to preserve the appearance of the product. Refer to cleaning instructions for full details.

### Warranty

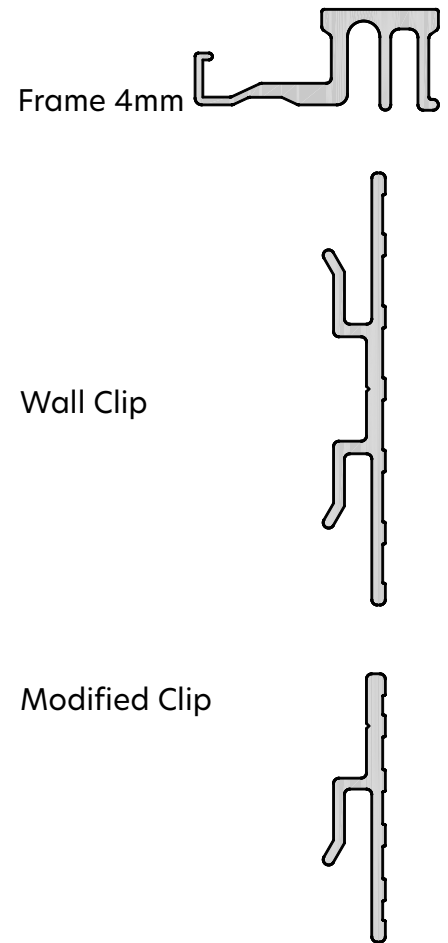
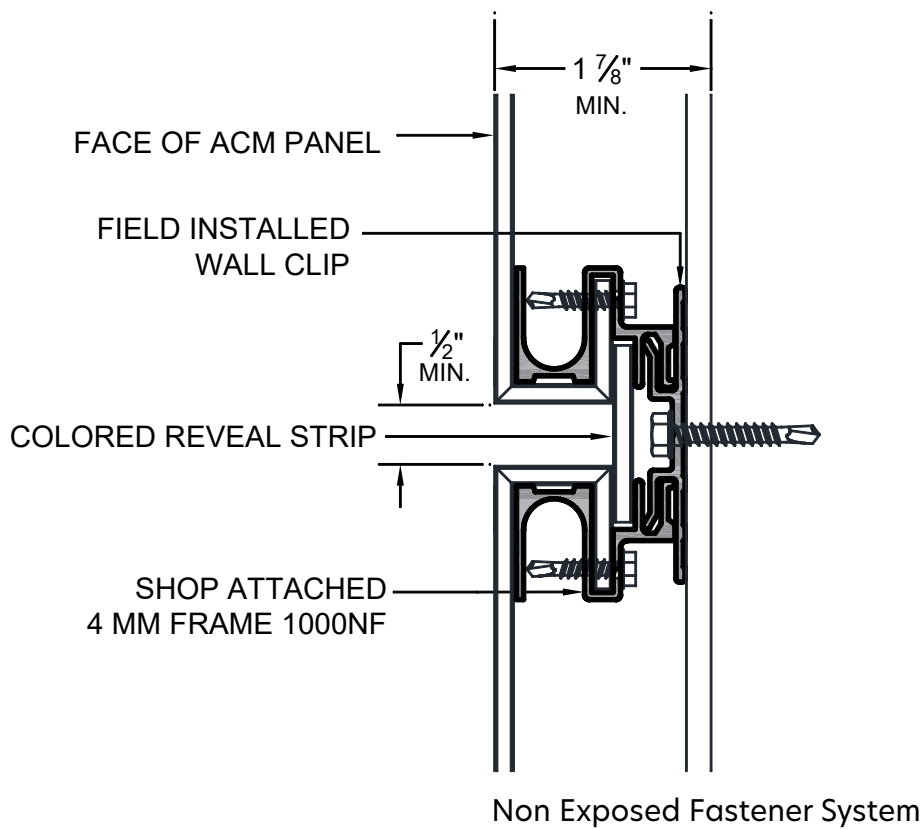
PPG Paint Finish 20 Year Warranty / Panel 10 Year Warranty





### Product Information

- Architectural Rainscreen Panel for interior or exterior applications
- FR (Fire Resistant mineral core) is standard
- Available in 4mm and 6mm thickness also available in Copper, Stainless Steel and Zinc
- 0.5mm (0.0197") face and backer sheet standard in A3000 (series alloy)
- Finishes: Pro finish 500 (PPG Industries Duranar) Standard, Mica and Metallic with clear coat
- Maximum fabricated panel is 58" x 192"
- Matching flat sheets available in 36" x 120" x 0.032, 0.040, & 0.050 Aluminum (min order qty 85 sheets / color-gauge)



For additional information on Visage please visit us online at [Lumabuilt.com](http://Lumabuilt.com)



Approved  
Continuing  
Education

