

INDEX

SOFFIT

I - INDEX

E3- SOFFIT VIEW

300- STARTER @ SOFFIT

301- J-CLOSURE & STARTER @ SOFFIT

302- J-STARTER @ SOFFIT

304- EDGE BASE & TOP @ SOFFIT

305- EDGE BASTE & TOP REVERSED @ SOFFIT

306- J-CLOSURE @ SOFFIT

307- EDGE BASE & TOP @ SOFFIT

308- EDGE BASE & TOP REVERSED @ SOFFIT

309-PENETRATION #1

310- PENETRATION #2

311- LIGHT PENETRATION #1

312- LIGHT PENETRATION #2



2529 W. Jackson St.
Phoenix, AZ 85298

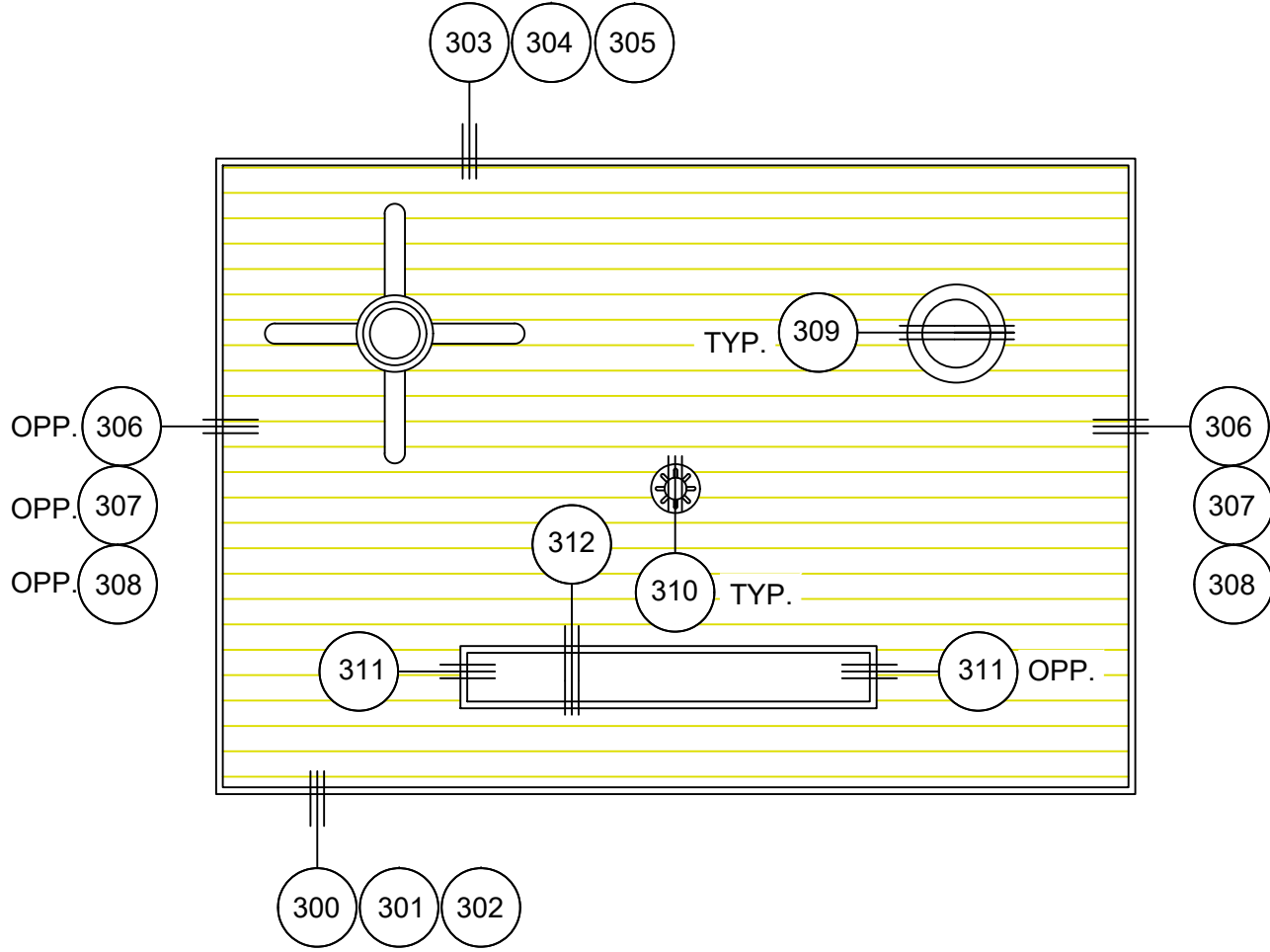
PHONE: (602) 275-1676
FAX: (602) 275-1739

MOSAIC DETAIL INDEX

SCALE: NTS

5/24/24

SYSTEM = MOSAIC



1 SOFFIT
E3 SCALE: = NTS
 REF ARCH: N/A



2529 W. Jackson St.
 Phoenix, AZ 85298
 PHONE: (602) 275-1676
 FAX: (602) 275-1739

INSTALLATION ELEVATION

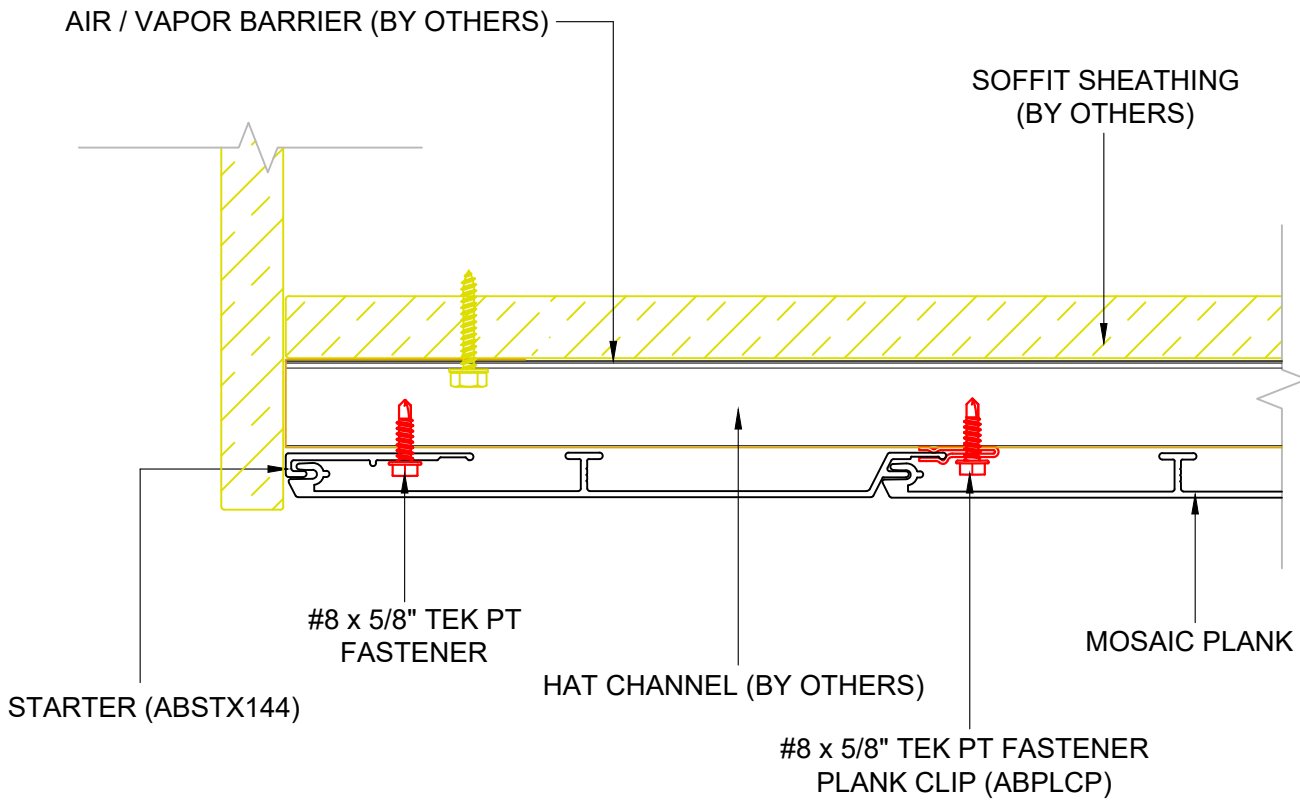
SCALE: NTS
 5/24/24
 SYSTEM = MOSAIC

E3

****ALL DETAILS SHOW MOSAIC ATTACHED TO HAT CHANNELS OVER SOLID SUBSTRATE****
****REFERENCE LOAD SPAN TABLES FOR ALL ATTACHMENT TYPES, ANCHOR TYPES, & ANCHOR SPACING****

INSTALLATION OPTIONS ARE:

- 1) OPEN FRAMING - WOOD OR METAL STUDS
- 2) WOOD SHEATHING
- 3) HAT CHANNEL OVER SHEATHING WITHOUT OR WITH A *VAPOR BARRIER (*RECOMMENDED FOR WALLS)



2529 W. Jackson St.
Phoenix, AZ 85298
PHONE: (602) 275-1676
FAX: (602) 275-1739

STARTER BASE @ SOFFIT

SCALE: NTS

5/24/24

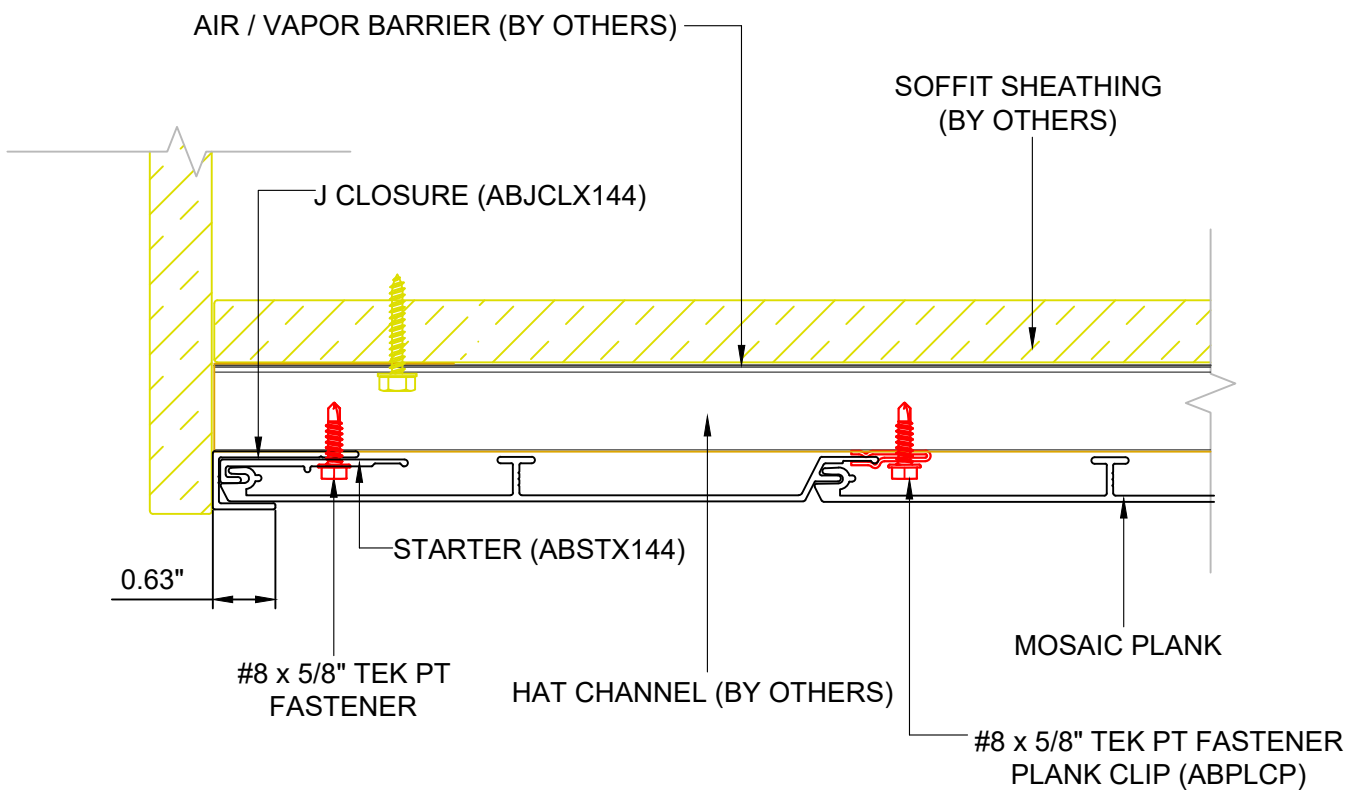
SYSTEM = MOSAIC

300

****ALL DETAILS SHOW MOSAIC ATTACHED TO HAT CHANNELS OVER SOLID SUBSTRATE****
****REFERENCE LOAD SPAN TABLES FOR ALL ATTACHMENT TYPES, ANCHOR TYPES, & ANCHOR SPACING****

INSTALLATION OPTIONS ARE:

- 1) OPEN FRAMING - WOOD OR METAL STUDS
- 2) WOOD SHEATHING
- 3) HAT CHANNEL OVER SHEATHING WITHOUT OR WITH A *VAPOR BARRIER (*RECOMMENDED FOR WALLS)



2529 W. Jackson St.
 Phoenix, AZ 85298
 PHONE: (602) 275-1676
 FAX: (602) 275-1739

J-CLOSURE & STARTER @ SOFFIT

301

SCALE: NTS

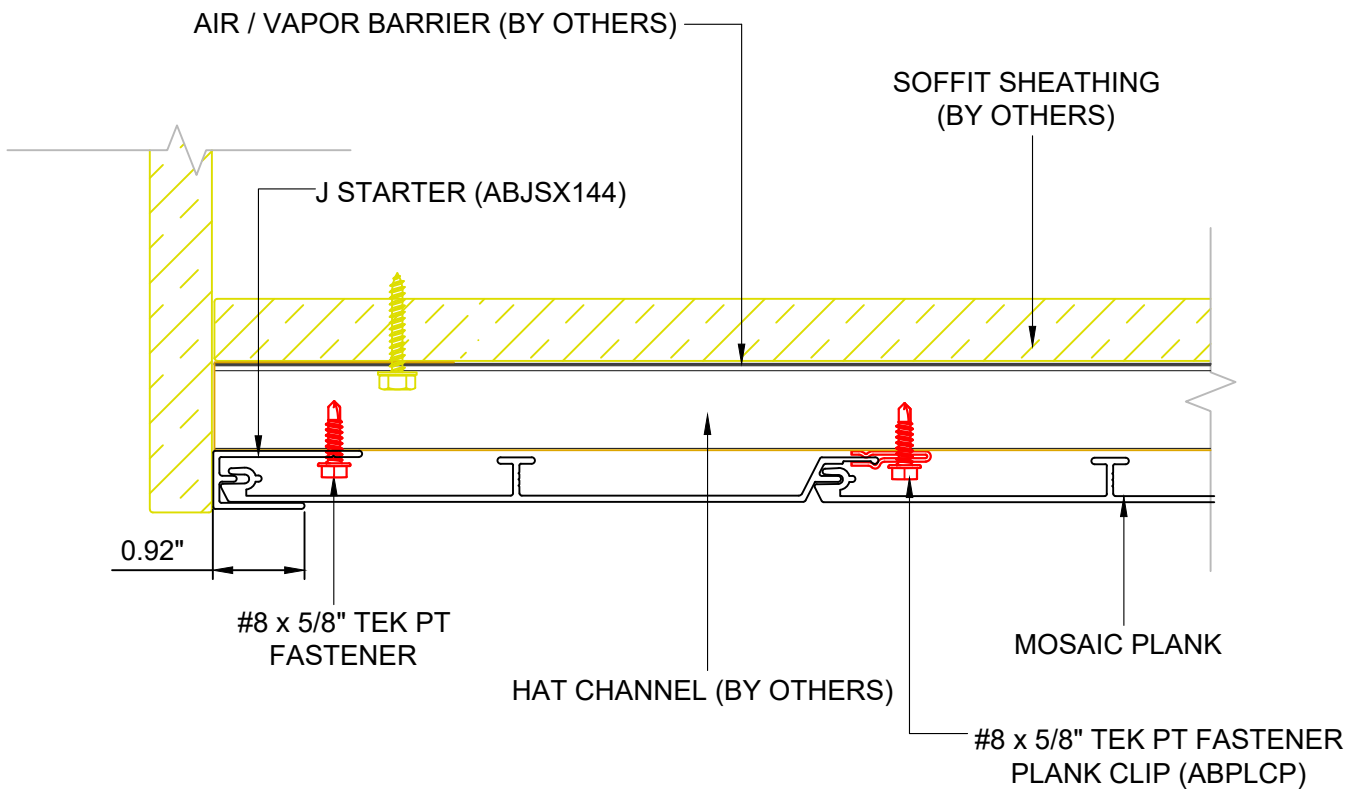
5/24/24

SYSTEM = MOSAIC

****ALL DETAILS SHOW MOSAIC ATTACHED TO HAT CHANNELS OVER SOLID SUBSTRATE****
****REFERENCE LOAD SPAN TABLES FOR ALL ATTACHMENT TYPES, ANCHOR TYPES, & ANCHOR SPACING****

INSTALLATION OPTIONS ARE:

- 1) OPEN FRAMING - WOOD OR METAL STUDS
- 2) WOOD SHEATHING
- 3) HAT CHANNEL OVER SHEATHING WITHOUT OR WITH A *VAPOR BARRIER (*RECOMMENDED FOR WALLS)



2529 W. Jackson St.
Phoenix, AZ 85298
PHONE: (602) 275-1676
FAX: (602) 275-1739

J-STARTER @ SOFFIT

SCALE: NTS

5/24/24

SYSTEM = MOSAIC

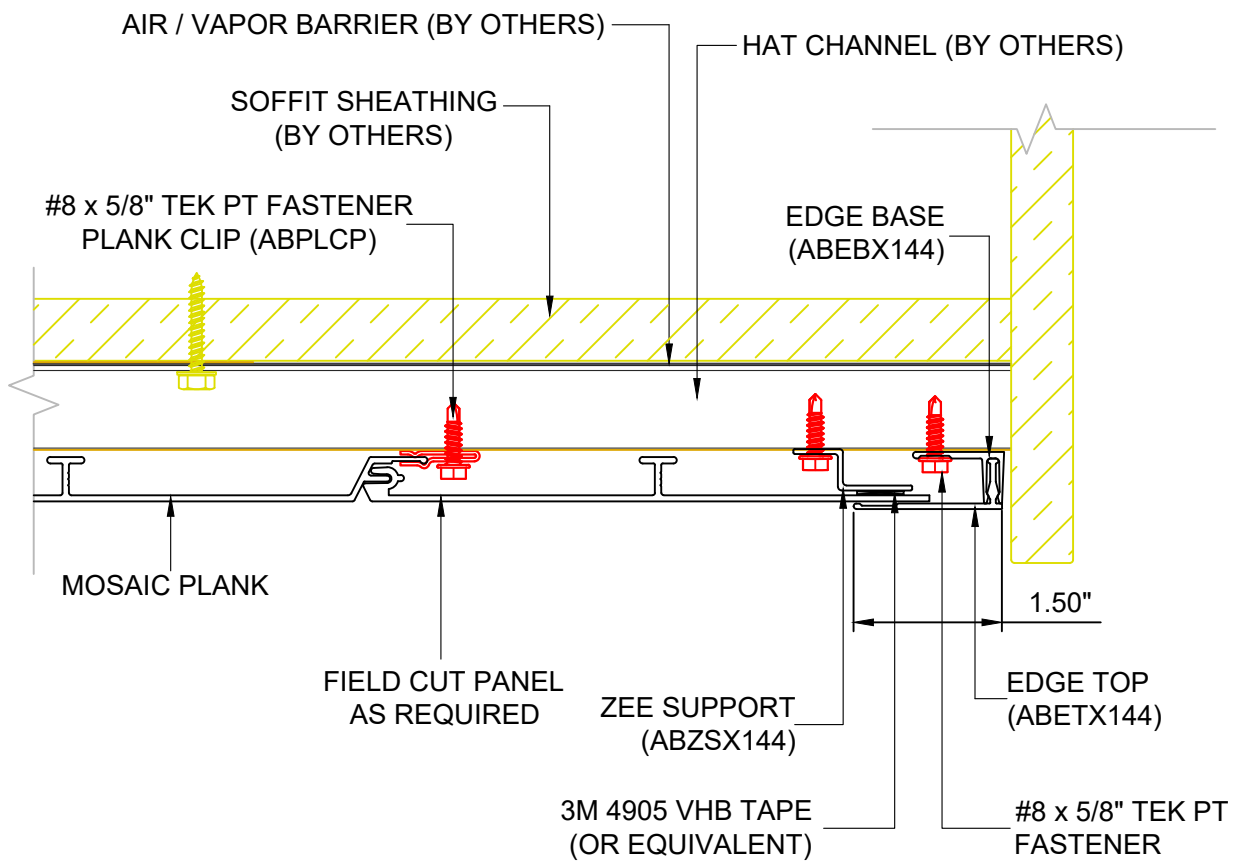
302

****ALL DETAILS SHOW MOSAIC ATTACHED TO HAT CHANNELS OVER SOLID SUBSTRATE****

****REFERENCE LOAD SPAN TABLES FOR ALL ATTACHMENT TYPES, ANCHOR TYPES, & ANCHOR SPACING****

INSTALLATION OPTIONS ARE:

- 1) OPEN FRAMING - WOOD OR METAL STUDS
- 2) WOOD SHEATHING
- 3) HAT CHANNEL OVER SHEATHING WITHOUT OR WITH A *VAPOR BARRIER (*RECOMMENDED FOR WALLS)



2529 W. Jackson St.
Phoenix, AZ 85298

PHONE: (602) 275-1676
FAX: (602) 275-1739

EDGE BASE & TOP @ SOFFIT

SCALE: NTS

5/24/24

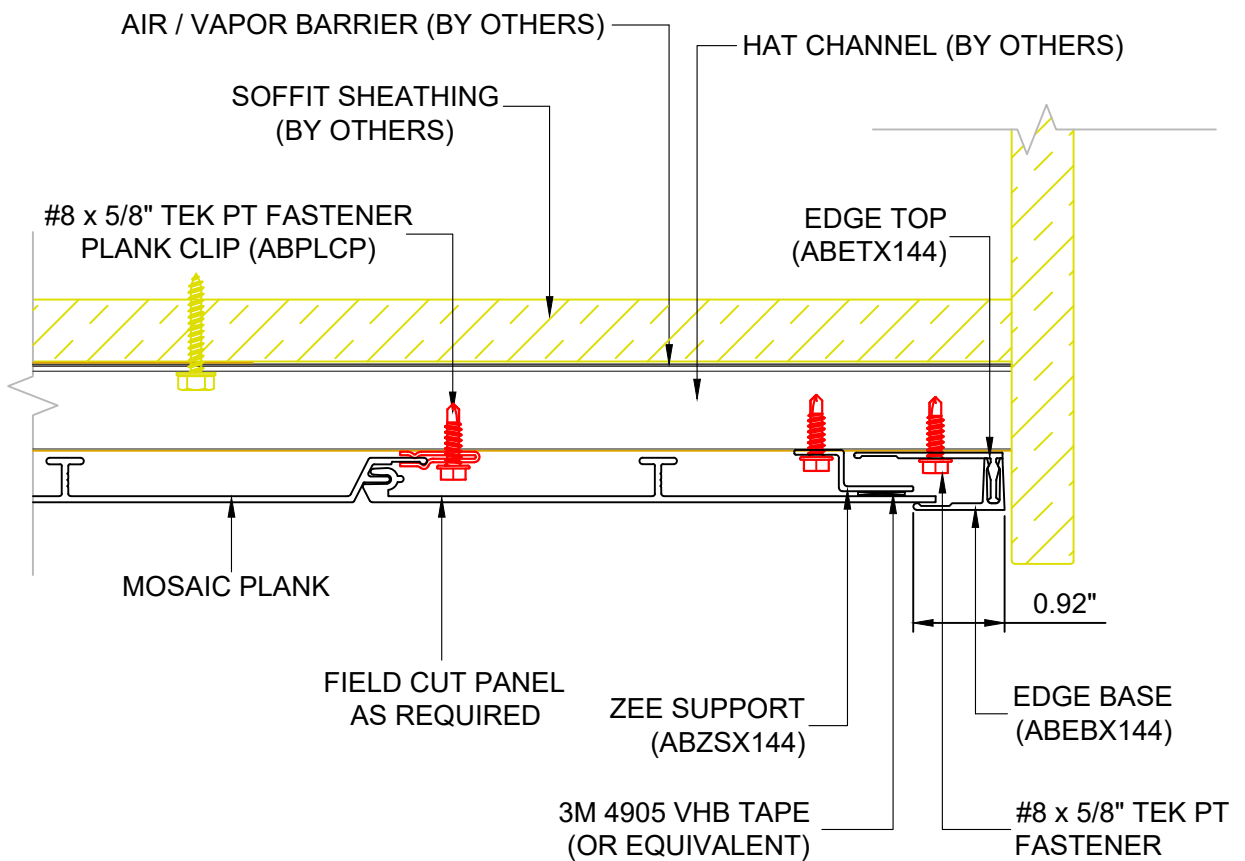
SYSTEM = MOSAIC

304

****ALL DETAILS SHOW MOSAIC ATTACHED TO HAT CHANNELS OVER SOLID SUBSTRATE****
****REFERENCE LOAD SPAN TABLES FOR ALL ATTACHMENT TYPES, ANCHOR TYPES, & ANCHOR SPACING****

INSTALLATION OPTIONS ARE:

- 1) OPEN FRAMING - WOOD OR METAL STUDS
- 2) WOOD SHEATHING
- 3) HAT CHANNEL OVER SHEATHING WITHOUT OR WITH A *VAPOR BARRIER (*RECOMMENDED FOR WALLS)



2529 W. Jackson St.
 Phoenix, AZ 85298
 PHONE: (602) 275-1676
 FAX: (602) 275-1739

EDGE BASE & TOP RVRS @ SOFFIT

305

SCALE: NTS

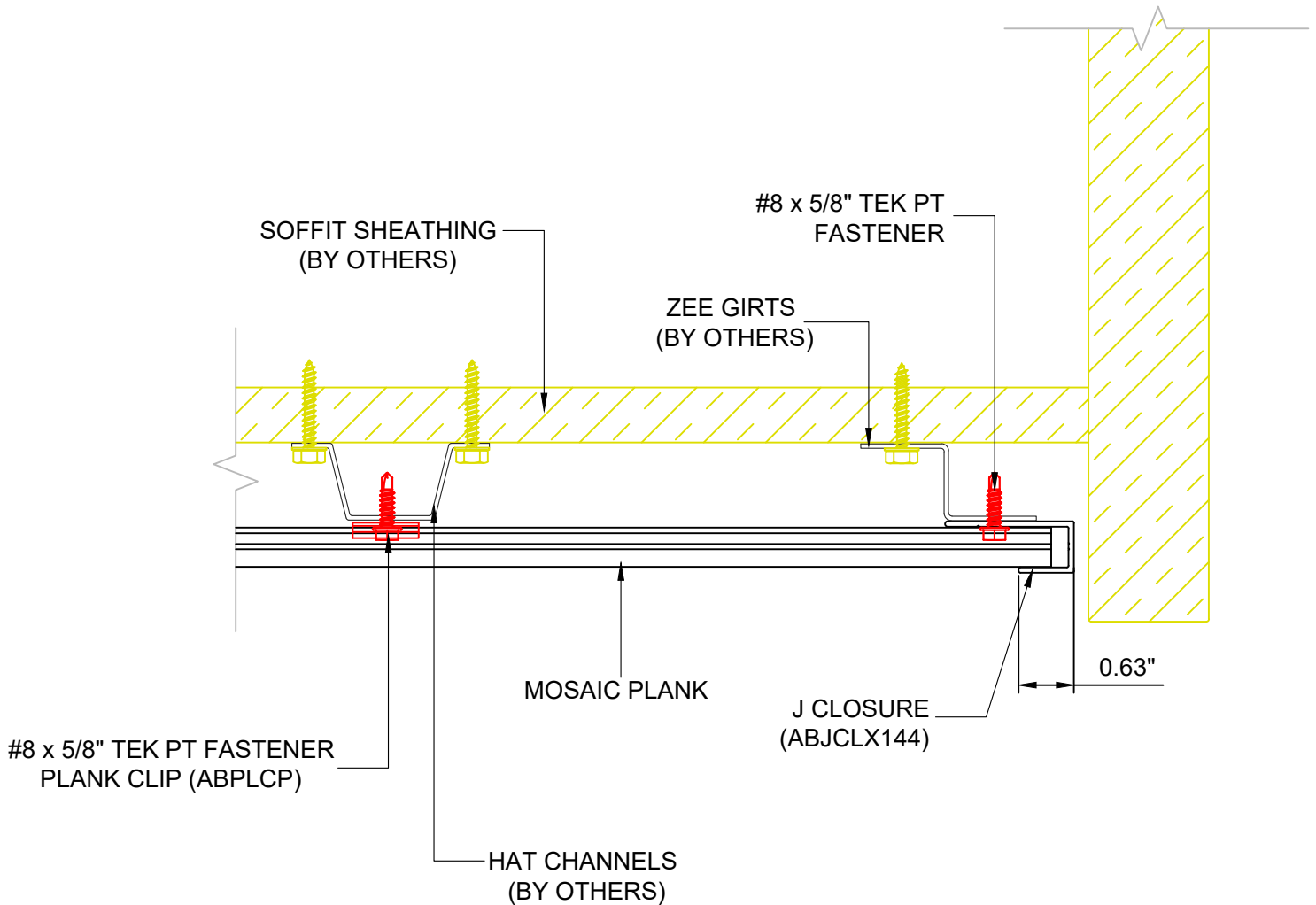
5/24/24

SYSTEM = MOSAIC

****ALL DETAILS SHOW MOSAIC ATTACHED TO HAT CHANNELS OVER SOLID SUBSTRATE****
****REFERENCE LOAD SPAN TABLES FOR ALL ATTACHMENT TYPES, ANCHOR TYPES, & ANCHOR SPACING****

INSTALLATION OPTIONS ARE:

- 1) OPEN FRAMING - WOOD OR METAL STUDS
- 2) WOOD SHEATHING
- 3) HAT CHANNEL OVER SHEATHING WITHOUT OR WITH A *VAPOR BARRIER (*RECOMMENDED FOR WALLS)



NOTE: PLANKS MUST HAVE A JOINT ON WALL TO INSTALL WITH THIS TRIM OR YOU MUST CUT PLANKS EXACT & SLIDE LEFT TO RIGHT TO INSTALL



2529 W. Jackson St.
 Phoenix, AZ 85298
 PHONE: (602) 275-1676
 FAX: (602) 275-1739

J CLOSURE @ SOFFIT

306

SCALE: NTS

5/24/24

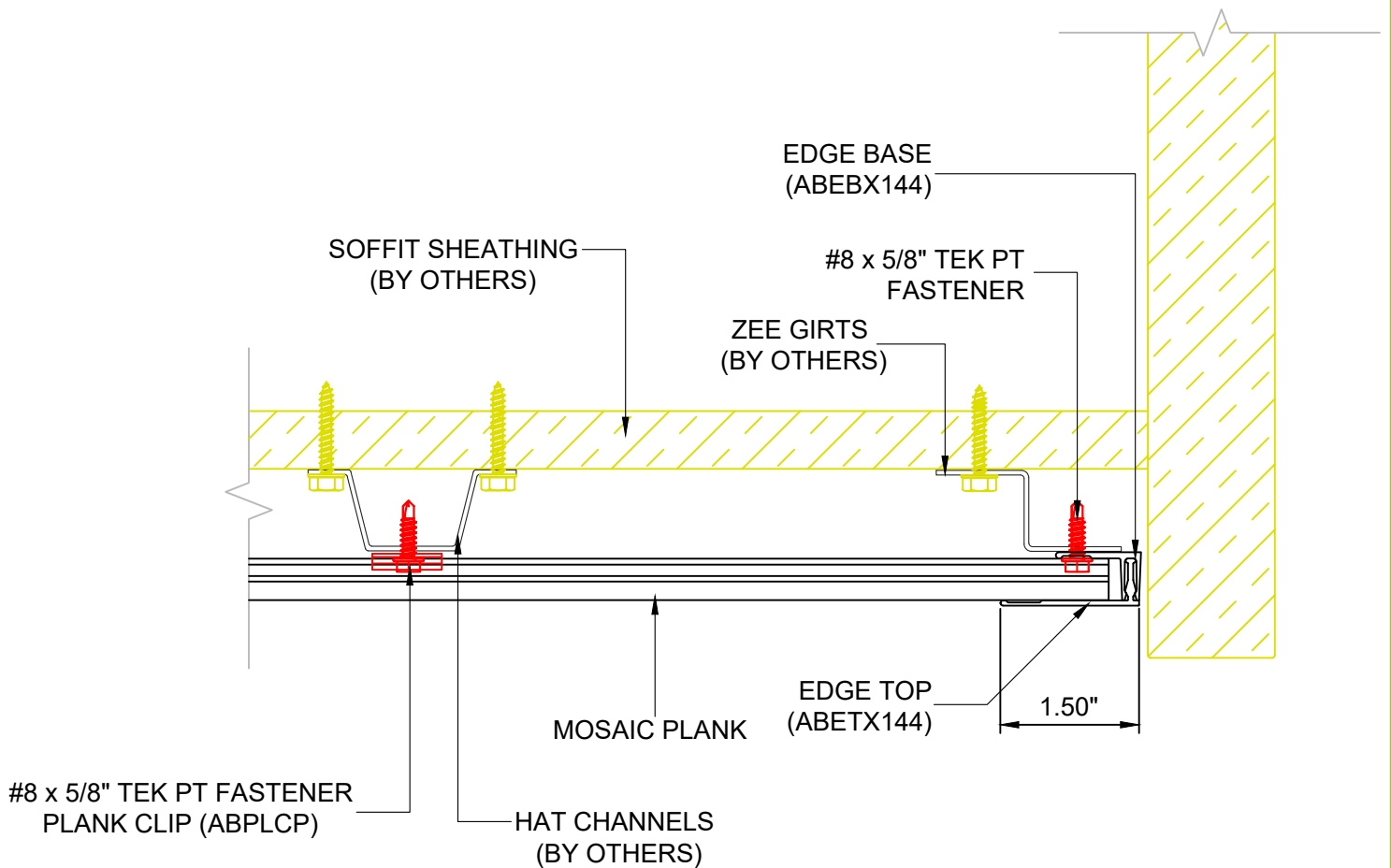
SYSTEM = MOSAIC

****ALL DETAILS SHOW MOSAIC ATTACHED TO HAT CHANNELS OVER SOLID SUBSTRATE****

****REFERENCE LOAD SPAN TABLES FOR ALL ATTACHMENT TYPES, ANCHOR TYPES, & ANCHOR SPACING****

INSTALLATION OPTIONS ARE:

- 1) OPEN FRAMING - WOOD OR METAL STUDS
- 2) WOOD SHEATHING
- 3) HAT CHANNEL OVER SHEATHING WITHOUT OR WITH A *VAPOR BARRIER (*RECOMMENDED FOR WALLS)



2529 W. Jackson St.
Phoenix, AZ 85298

PHONE: (602) 275-1676

FAX: (602) 275-1739

EDGE BASE & TOP @ SOFFIT

SCALE: NTS

5/24/24

SYSTEM = MOSAIC

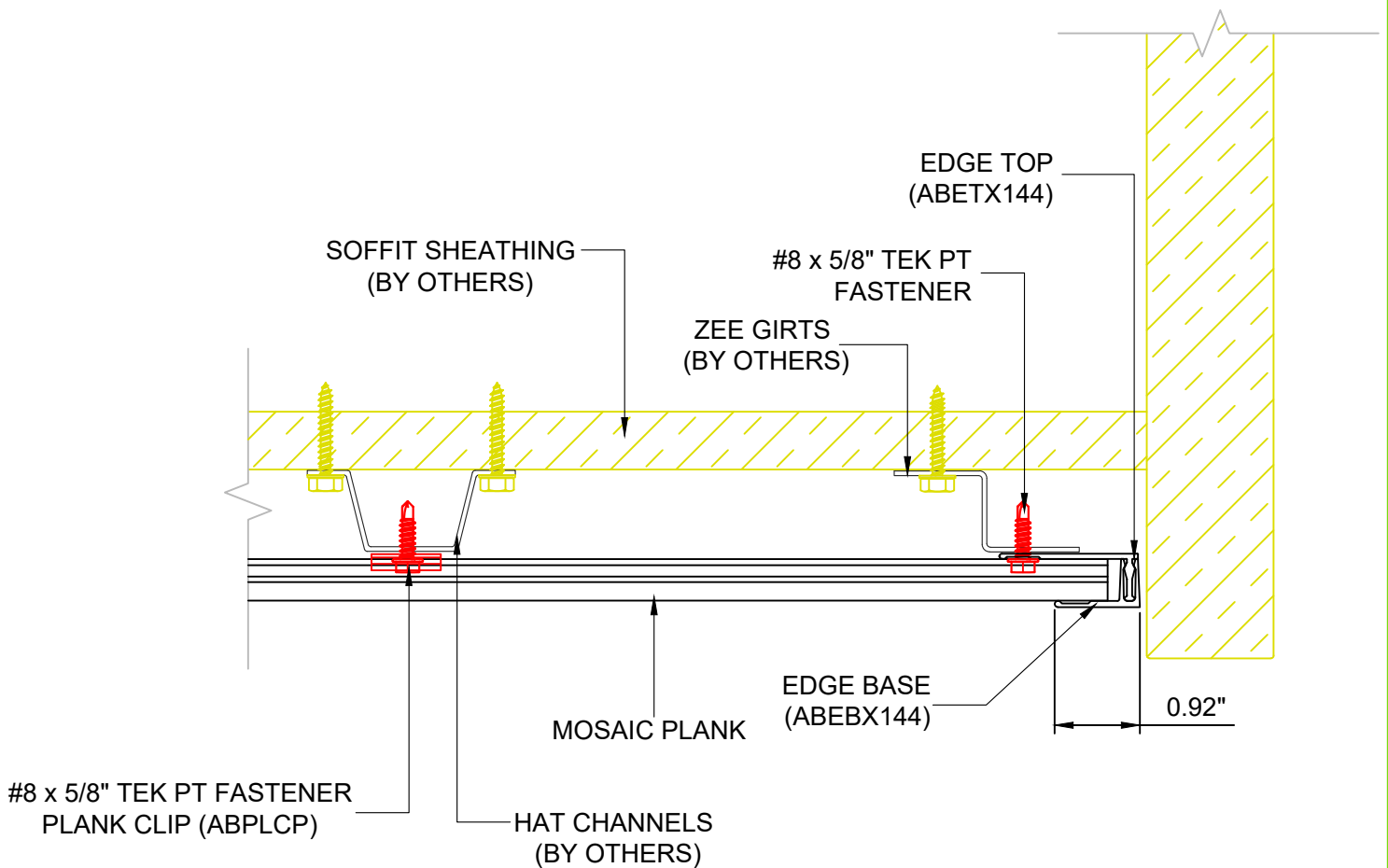
307

****ALL DETAILS SHOW MOSAIC ATTACHED TO HAT CHANNELS OVER SOLID SUBSTRATE****

****REFERENCE LOAD SPAN TABLES FOR ALL ATTACHMENT TYPES, ANCHOR TYPES, & ANCHOR SPACING****

INSTALLATION OPTIONS ARE:

- 1) OPEN FRAMING - WOOD OR METAL STUDS
- 2) WOOD SHEATHING
- 3) HAT CHANNEL OVER SHEATHING WITHOUT OR WITH A *VAPOR BARRIER (*RECOMMENDED FOR WALLS)



2529 W. Jackson St.
Phoenix, AZ 85298

PHONE: (602) 275-1676

FAX: (602) 275-1739

EDGE BASE & TOP RVRS @ SOFFIT

SCALE: NTS

5/24/24

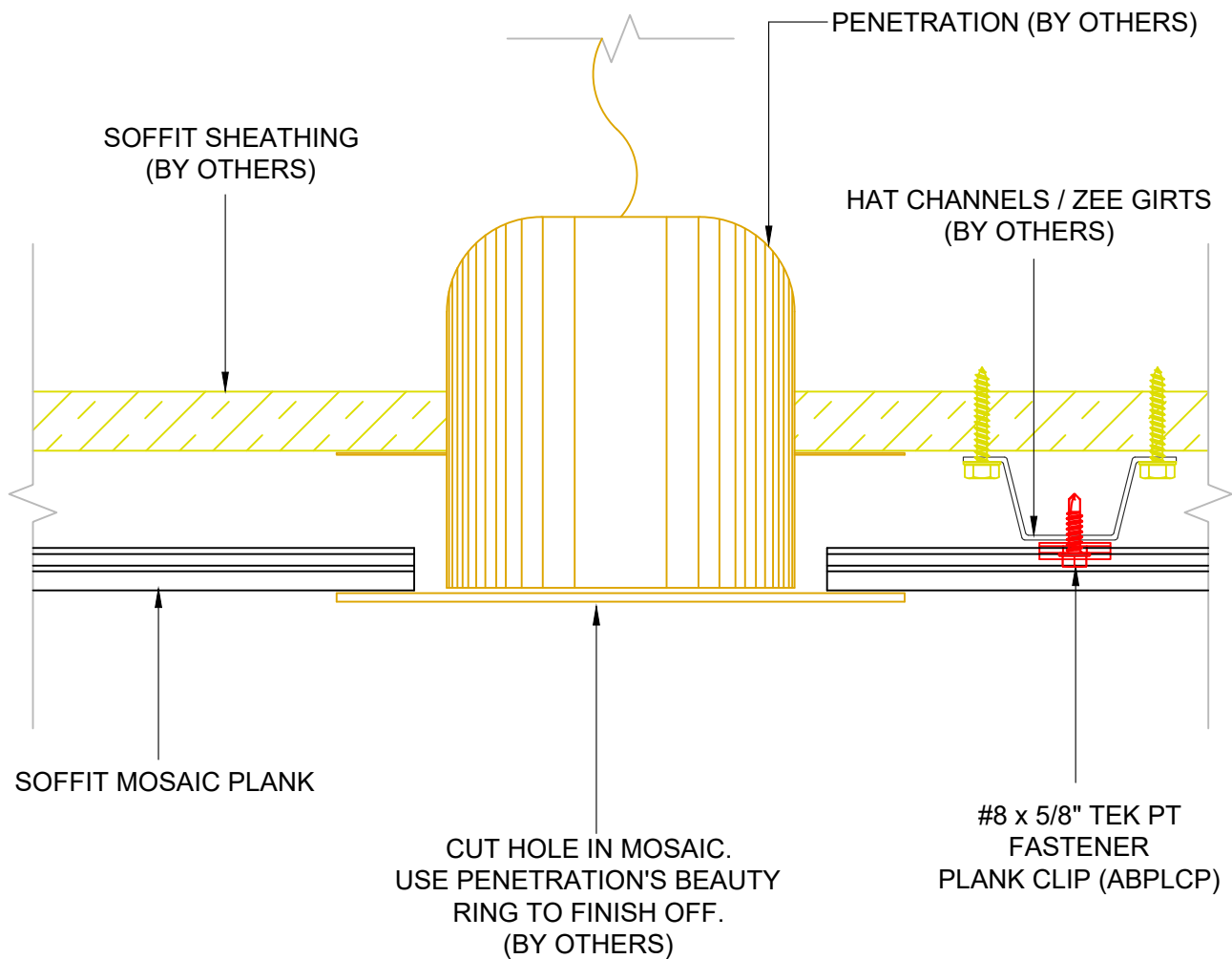
SYSTEM = MOSAIC

308

****ALL DETAILS SHOW MOSAIC ATTACHED TO HAT CHANNELS OVER SOLID SUBSTRATE****
****REFERENCE LOAD SPAN TABLES FOR ALL ATTACHMENT TYPES, ANCHOR TYPES, & ANCHOR SPACING****

INSTALLATION OPTIONS ARE:

- 1) OPEN FRAMING - WOOD OR METAL STUDS
- 2) WOOD SHEATHING
- 3) HAT CHANNEL OVER SHEATHING WITHOUT OR WITH A *VAPOR BARRIER (*RECOMMENDED FOR WALLS)



2529 W. Jackson St.
Phoenix, AZ 85298
PHONE: (602) 275-1676
FAX: (602) 275-1739

PENETRATION #1

SCALE: NTS

5/24/24

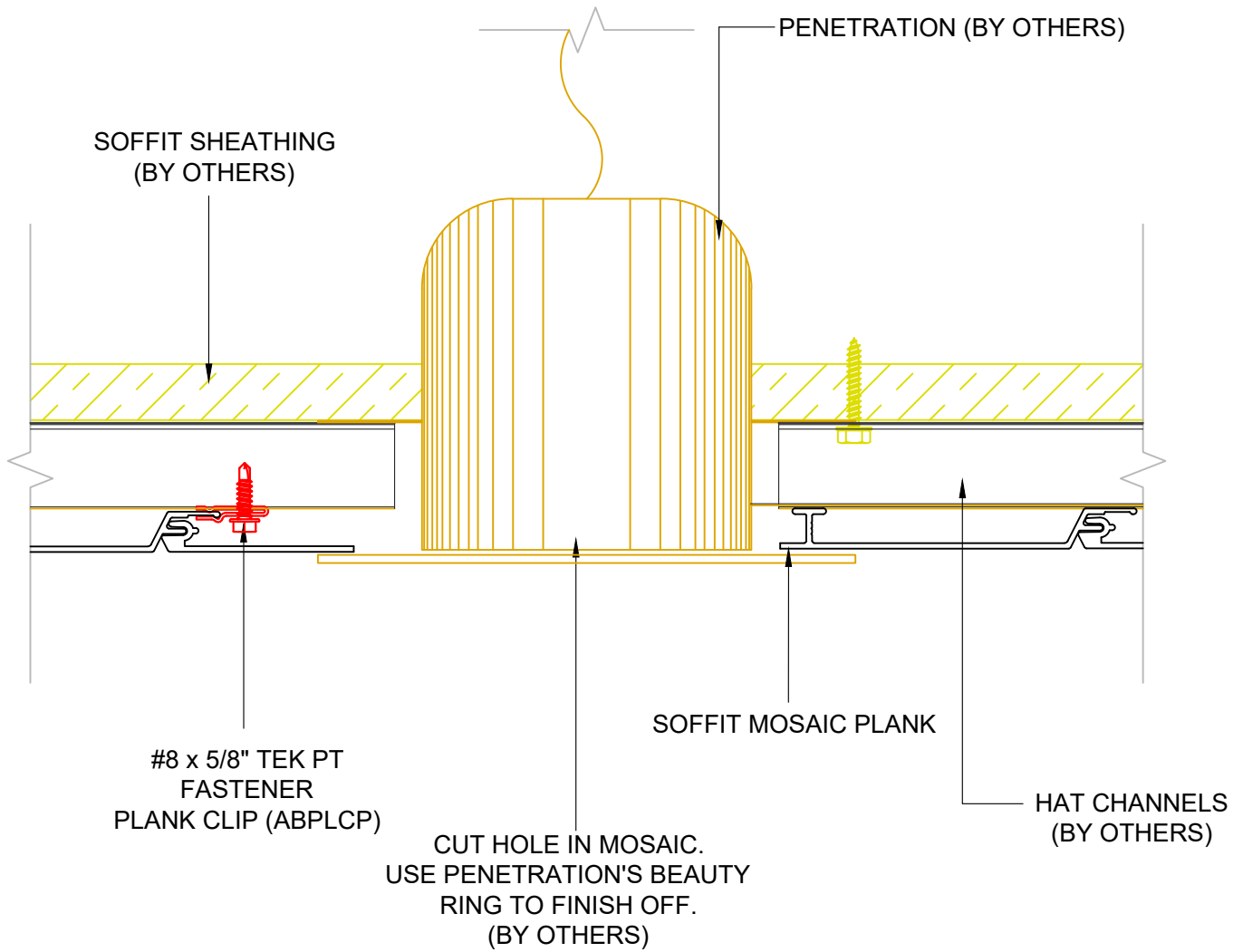
SYSTEM = MOSAIC

309

****ALL DETAILS SHOW MOSAIC ATTACHED TO HAT CHANNELS OVER SOLID SUBSTRATE****
****REFERENCE LOAD SPAN TABLES FOR ALL ATTACHMENT TYPES, ANCHOR TYPES, & ANCHOR SPACING****

INSTALLATION OPTIONS ARE:

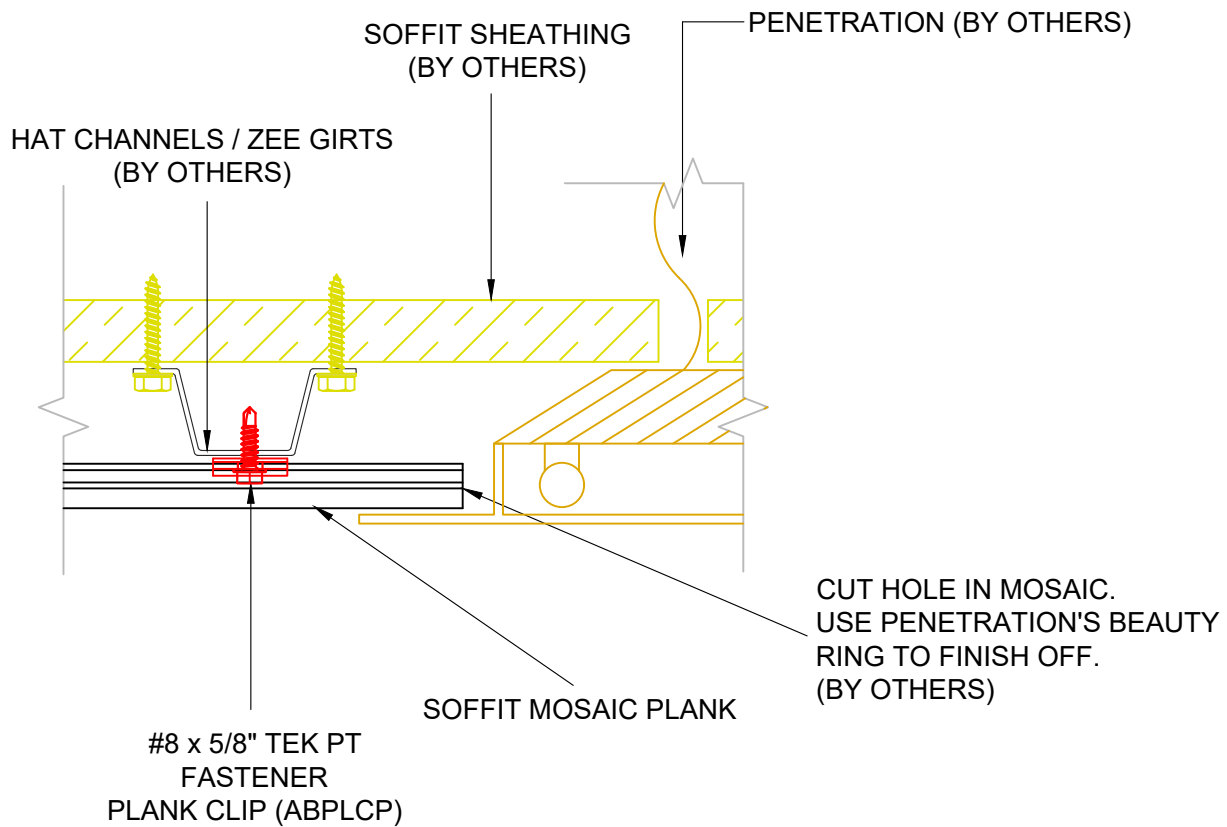
- 1) OPEN FRAMING - WOOD OR METAL STUDS
- 2) WOOD SHEATHING
- 3) HAT CHANNEL OVER SHEATHING WITHOUT OR WITH A *VAPOR BARRIER (*RECOMMENDED FOR WALLS)



****ALL DETAILS SHOW MOSAIC ATTACHED TO HAT CHANNELS OVER SOLID SUBSTRATE****
****REFERENCE LOAD SPAN TABLES FOR ALL ATTACHMENT TYPES, ANCHOR TYPES, & ANCHOR SPACING****

INSTALLATION OPTIONS ARE:

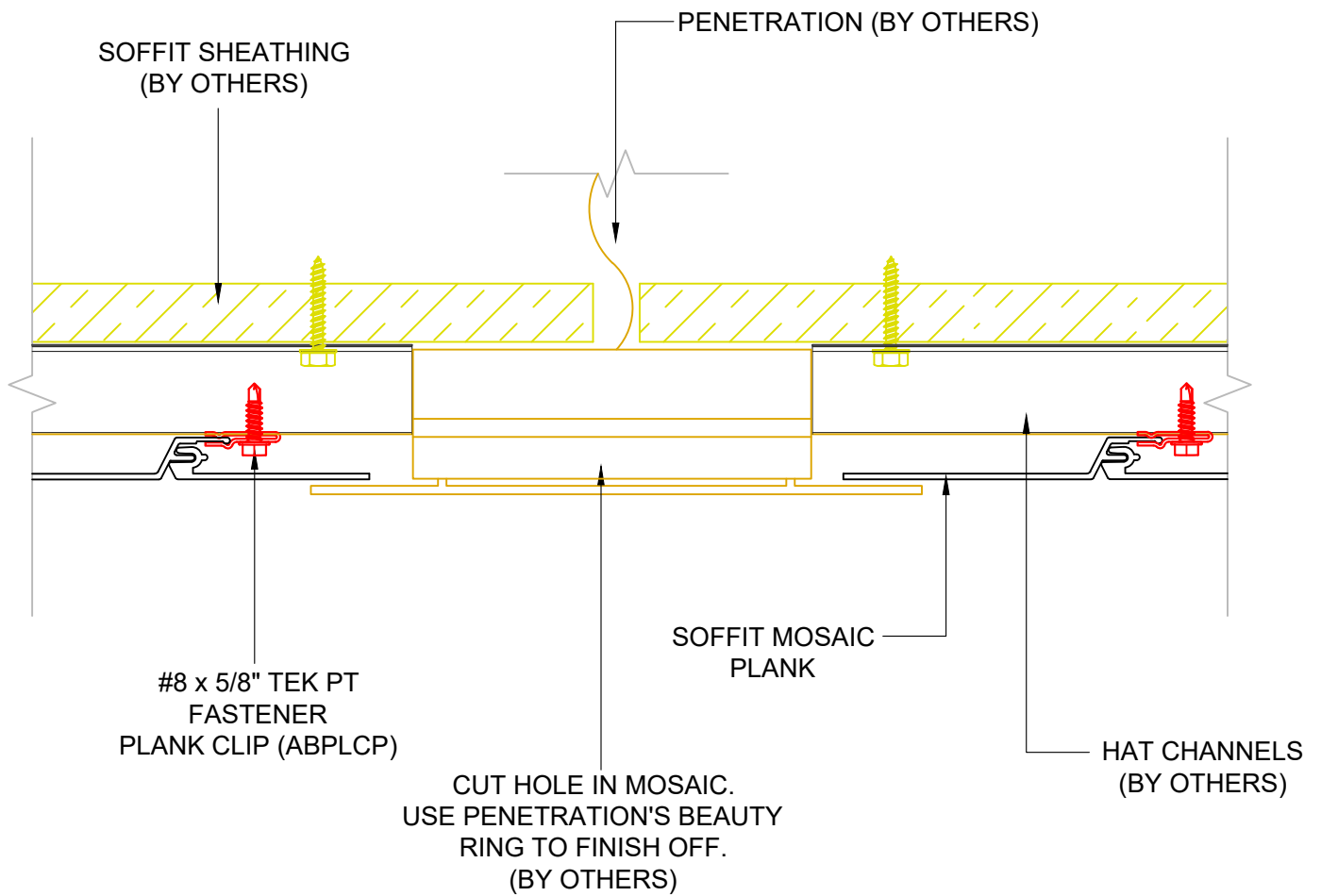
- 1) OPEN FRAMING - WOOD OR METAL STUDS
- 2) WOOD SHEATHING
- 3) HAT CHANNEL OVER SHEATHING WITHOUT OR WITH A *VAPOR BARRIER (*RECOMMENDED FOR WALLS)



****ALL DETAILS SHOW MOSAIC ATTACHED TO HAT CHANNELS OVER SOLID SUBSTRATE****
****REFERENCE LOAD SPAN TABLES FOR ALL ATTACHMENT TYPES, ANCHOR TYPES, & ANCHOR SPACING****

INSTALLATION OPTIONS ARE:

- 1) OPEN FRAMING - WOOD OR METAL STUDS
- 2) WOOD SHEATHING
- 3) HAT CHANNEL OVER SHEATHING WITHOUT OR WITH A *VAPOR BARRIER (*RECOMMENDED FOR WALLS)



2529 W. Jackson St.
 Phoenix, AZ 85298

PHONE: (602) 275-1676
 FAX: (602) 275-1739

LIGHT PENETRATION #2

SCALE: NTS

5/24/24

SYSTEM = MOSAIC

312