



Lumabuilt

PRODUCT DATA SHEET

Mosaic
Planks and Battens

Product Name

Mosaic Trims

Manufacturer

Lumabuilt
Lumabuilt.com



Product Description

Mosaic Trim Profiles

- Starter
- J-Starter
- 2 Piece Corner Assembly
- Edge Assembly Termination
- Joint Assembly
- Joint Assembly Reveal
- Outside Corner
- Inside Corner

Installation

Mosaic trim components are sold in 12' lengths only, they are intended to be field cut to fit each specific application. Using a square cut or miter cut you can complete the layout appearance you desire. You can use the trim to cover the ends of each plank. Additionally, you can use the trim to create a element of design. The main purpose for the trim components is to provide for the thermal expansion and cover the necessary field cuts to the planks. Refer to installation instructions for full details.

Technical Data

- System testing with CA & PA stamps: ASTM E2768/E84, ASTM E136, AAMA 1402
- Class "A" Fire Rating.
- Paint finish testing: AAMA 2605
- All trims are 12'-0" in length
- For Best results the trim should utilize full length pieces as often as you can. It is not recommended to use a series of short trim pieces to complete an area that would be best served with a full-length part.
- We offer a complete set of Details to clarify and define the many options for each trim combination for your application. All the latest details are available on the website Lumabuilt.com.

Warranty

Wood grains 15 year standard warranty. Wood Grains 20 year specialty warranties on request. Solid Colors 20 year standard warranty Refer to warranty form for full details.

Maintenance

To preserve the original beauty of Mosaic products a regular cleaning schedule is suggested. Clean the finish surface with water and a soft cloth or sponge until it is free of debris. If required the finish surface may be also cleaned with a mild detergent (pH 5-9) or a cleaning agent diluted to 1:50 parts of water. Refer to cleaning instructions for full details.





Product Information

Starter- used at the starting point of installation, generally this is a bare finish extruded aluminum part designed to hold the non-clip leg of the panel in place. This part will need to be installed prior to planks. This is to be used in a continuous manner.

J- Starter - Is a universal part designed to have the plank slid into its shape specifically used to replace the need for a stand alone starter and J-closure combination. This can be used parallel or perpendicular to the plank. This part is finished to match the planks.

Edge Assembly Termination- this is two-part trim element to be used at the edge or perimeter of the planks. The base trim will need to be installed prior to the plank installation. When the planks are completely installed you then can insert in the top part of the assembly. Both parts are finished to match the planks. Special Instruction: this assembly can be reversed in the installation to accommodate an alternate face dimension width.

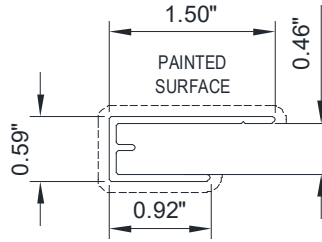
Joint Assembly - this is two-part trim element to be used when you need to bring two ends of planks together. This can be at any angle (Directional Transitions, Miters etc.). The base trim will need to be installed prior to the plank installation. When the planks are completely installed you then can insert in the top part of the assembly. both parts are finished to match the planks. Special Instruction: this assembly can be reversed in the installation to accommodate an alternate face dimension width.

Joint Assembly Reveal - this is two-part trim element to be used when you need to bring two ends of planks together. This can be at any angle (Miters or directional Transitions etc.). The base trim will need to be installed prior to the plank installation. When the planks are completely installed you then can insert in the top part of the assembly. This top cap has a reveal element to add a design element if desired. Both parts are finished to match the planks.

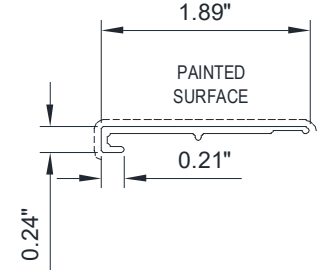
Outside Corner - This trim is to be used at any application you need to turn a 90-degree corner. This part will need to be installed prior to the planks. This part is finished to match the planks. The outside corner cannot be installed without the inside corner.

Inside Corner - This trim is to be used at any application you need to turn a 90-degree corner. This part will need to be installed prior to the planks. This part is finished to match the planks. The inside corner cannot be installed without the outside corner.

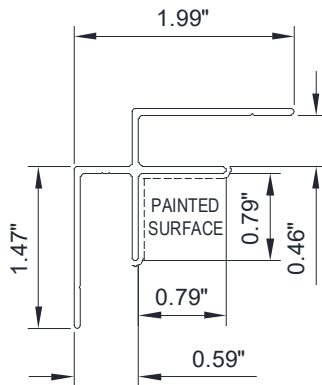
Zee Support - This concealed trim element is used with a rip cut plank at a termination condition. This part will be installed prior to the planks at the termination trim piece. A piece of VHB tape (3M 4905 or Equivalent - purchased separately) will secure the termination plank to the zee support piece.



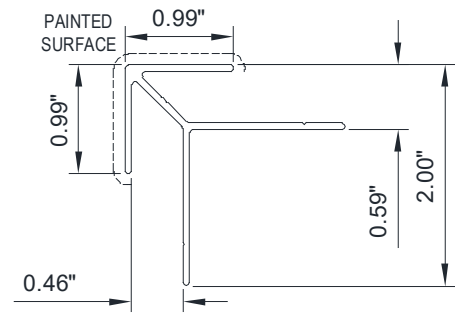
J STARTER



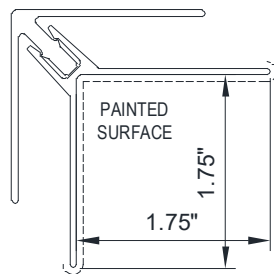
STARTER



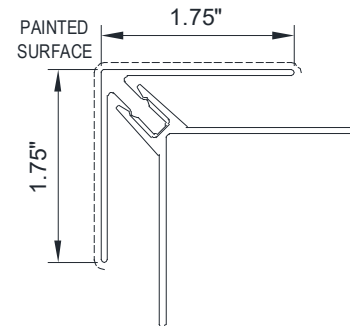
INSIDE CORNER



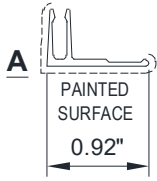
OUTSIDE CORNER



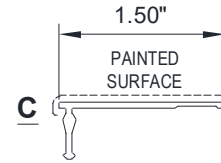
2 PC INSIDE CORNER



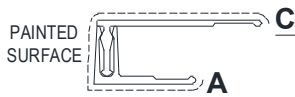
2 PC OUTSIDE CORNER



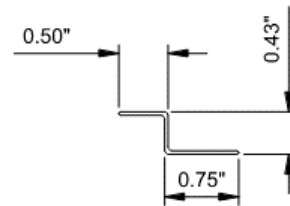
EDGE BASE



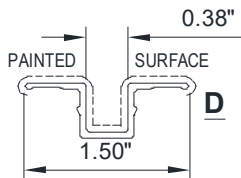
EDGE TOP



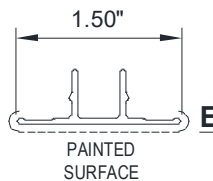
EDGE ASSEMBLY TERMINATION



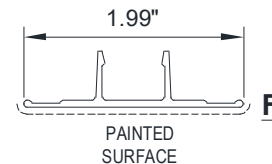
ZEE SUPPORT



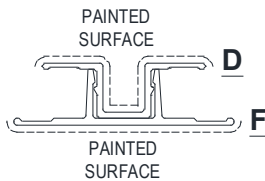
JOINT TOP REVEAL



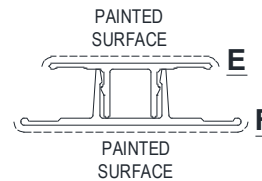
JOINT TOP



JOINT BASE



JOINT BASE & TOP REVEAL ASSEMBLY



JOINT BASE & TOP ASSEMBLY

For additional information on Mosaic please visit us online at Lumabuilt.com



Approved
Continuing
Education