

MOSAIC

LINEAR BEAM CEILING SYSTEM DATA SHEET

Product Information

- A versatile ceiling system designed for interior environments, featuring a slotted base that enables a wide range of efficient installation options.
- Made of 6063-T6 extruded aluminum alloy.
- Both prepunched and t-shaped end caps available.
- Lightweight, durable and our licensed proprietary sublimation process makes its beauty last for years.

Available Finishes

Solid colors, woodgrains, and specialty finishes.

Visit lumabuilt.com to view all available finishes.

Warranty

Woodgrains: 15-year standard warranty (20 year specialty warranties on request)

Solid Colors: 20-year standard warranty

Full details are available at lumabuilt.com.

Testing Information

- System Testing with CA & PA Stamps: ASTM E2768/E84, ASTM E136, AAMA 1402
- Paint Finish Testing: AAMA 2605
- Fully ICC Certified: ESR-5449
- Class "A" Fire Rating

LINEAR BEAM CEILING SYSTEM



PROFILE/PRODUCT	LENGTH*	WEIGHT
2" Linear Beam Base	24'	.239 lb/lf
2" Linear Beam Cap	24'	.558 lb/lf
3" Linear Beam Cap	24'	.804 lb/lf
4" Linear Beam Cap	24'	.996 lb/lf
6" Linear Beam Cap	24'	1.487 lb/lf
8" Linear Beam Cap	24'	2.408 lb/lf
Carrier Zee	10'	1.387lb/lf
Carrier Channel	10'	1.387 lb/lf
Carrier Splice	-	.3125 lb/ea
Hex Bolt Assembly	-	.075 lb/ea
Eye Bolt Assembly	-	.081 lb/ea

* Custom lengths are available upon request. Order minimums may apply. Linear Beam components may require a fresh, square cut due to the manufacturing process.

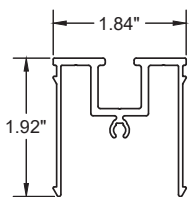
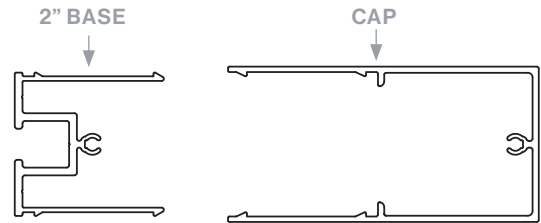
MOSAIC

LINEAR BEAM CEILING SYSTEM DATA SHEET

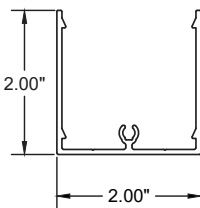


LINEAR BEAMS

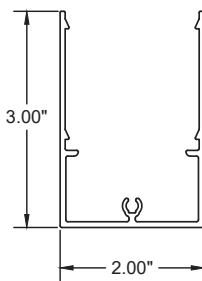
The Linear Beam Ceiling System pairs a 2" slotted base with snap-on caps in 2", 3", 4", 6", and 8" heights. The base forms one side of the beam, while each cap encloses the remaining three sides to create clean, finished profiles ranging from 2"x2" to 2"x8". This modular snap-fit design delivers a seamless appearance, and the slotted base allows the beams to be quickly secured using a variety of installation methods. The system gives architects the freedom to mix depths and create dynamic ceiling compositions that balance function and visual impact.



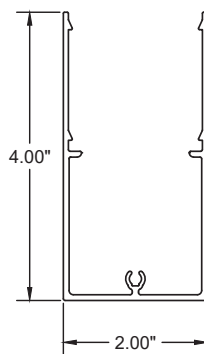
2" LINEAR BEAM BASE



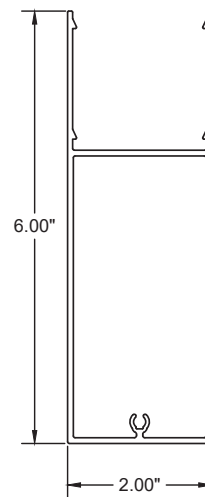
2" LINEAR BEAM CAP



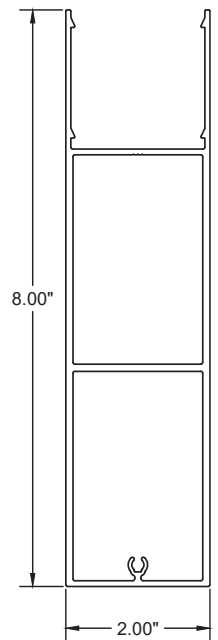
3" LINEAR BEAM CAP



4" LINEAR BEAM CAP



6" LINEAR BEAM CAP



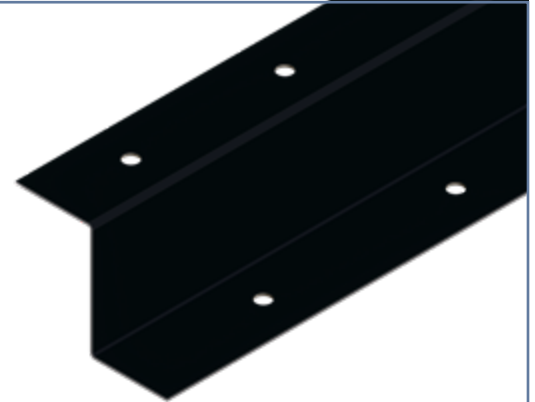
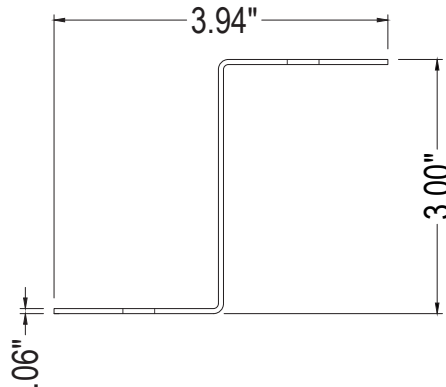
8" LINEAR BEAM CAP

CARRIER FRAMING COMPONENTS

The carrier framing profiles serve as the primary structural support for the Linear Beam Ceiling System, allowing beams to be installed directly or suspended from the substrate. The hanging channel is designed to accept a 3/8" threaded rod and standard 3/8" nut, ensuring secure and precise attachment. This flexible framing approach accommodates a range of ceiling conditions and installation methods.

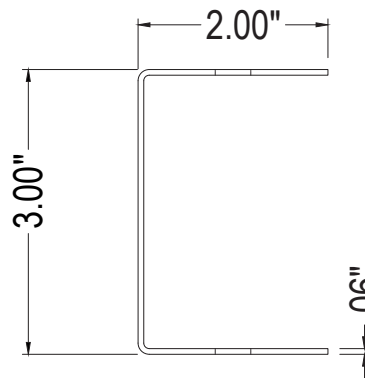
CARRIER ZEE

Mounted directly to the substrate, the Carrier ZEE forms a rigid base to which the beams are fastened on the opposing side.



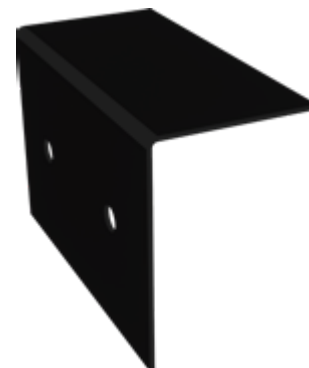
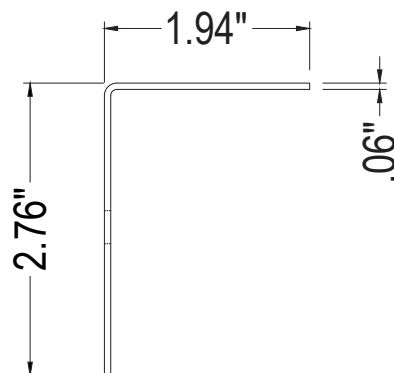
CARRIER CHANNEL

For suspended ceilings, the carrier channel can be supported with all-thread from the substrate or with a bracket and 12-gauge wire, providing flexibility for different site conditions.

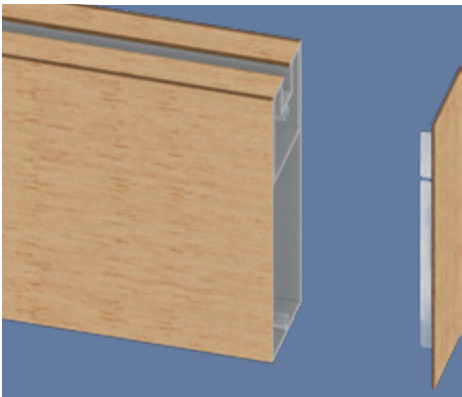
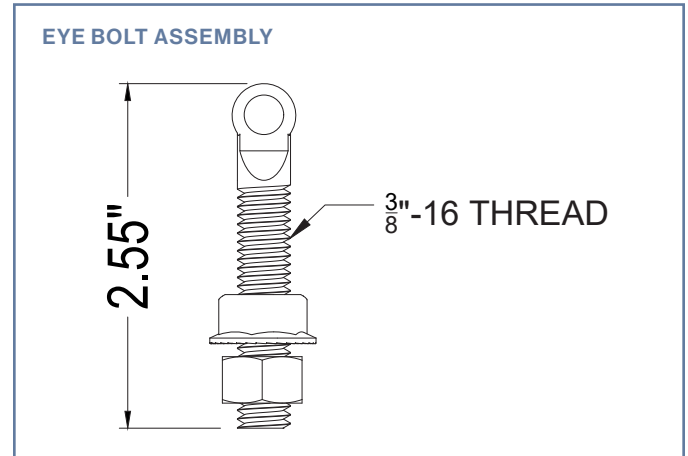
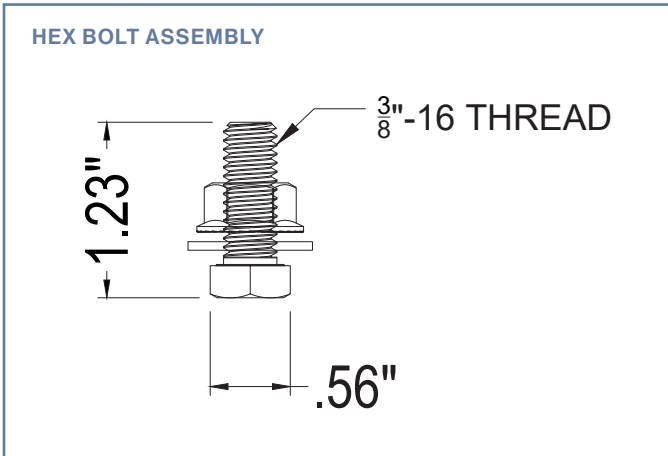


CARRIER SPLICE

The splice links multiple carriers together, maintaining straight, consistent alignment over long spans of ceiling beams.



SYSTEM HARDWARE & END CAPS



T END CAPS

T End Caps feature a quick, press-fit design that delivers a seamless, wood beam-like finish at the end of each beam. For long-term hold and stability, a small amount of silicone adhesive is recommended during installation.