

MOSAIC BATTEN DETAILS

COMPONENTS

- C1 - L-CONNECT BATTEN ASSEMBLY COMPONENTS
- C2 - BATTEN ASSEMBLY COMPONENTS
- C3 - END CAPS AND BRACKETS
- E1 - BATTEN T-END CAP INSTALL DETAIL
- E2 - BATTEN FLAT END CAP INSTALL DETAIL
- S1 - SPAN ANCHORAGE TABLE INFORMATION
- S2 - SPAN ANCHORAGE TABLE (SINGLE-SPAN)
- S3 - SPAN ANCHORAGE TABLE (SINGLE-SPAN)
- S4 - SPAN ANCHORAGE TABLE (MULTI-SPAN)
- A1 - EXPANSION/CONTRACTION TABLE

L-CONNECT BATTEN ASSEMBLIES

BATTEN TO WALL FRAMING (NO BRACKET)

- D1.01 - 3"X1" L-CONNECT (*VERTICAL OR HORIZONTAL*)
- D1.02 - 6"X1" L-CONNECT (*VERTICAL OR HORIZONTAL*)

BATTEN @ TRELLIS (NO BRACKET)

- D1.10 - 3"X1" L-CONNECT (*ABOVE SUPPORT MEMBER*)
- D1.11 - 6"X1" L-CONNECT (*ABOVE SUPPORT MEMBER*)
- D1.12 - 3"X1" L-CONNECT (*BELOW SUPPORT MEMBER*)
- D1.13 - 6"X1" L-CONNECT (*BELOW SUPPORT MEMBER*)

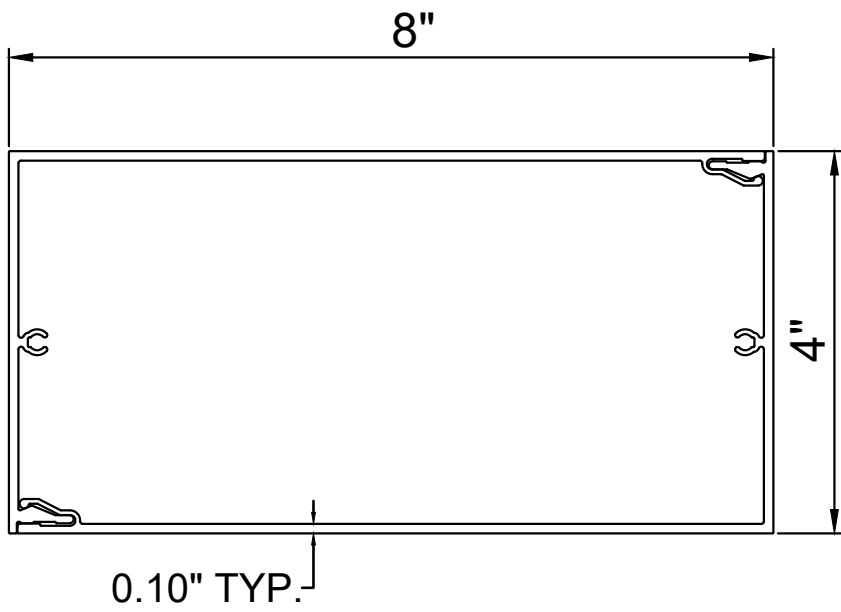
BATTEN TO WALL FRAMING (NO BRACKET)

- D8.01 - 8"X4" L-CONNECT (*VERTICAL OR HORIZONTAL*)
- D8.02 - 4"X8" L-CONNECT (*VERTICAL OR HORIZONTAL*)

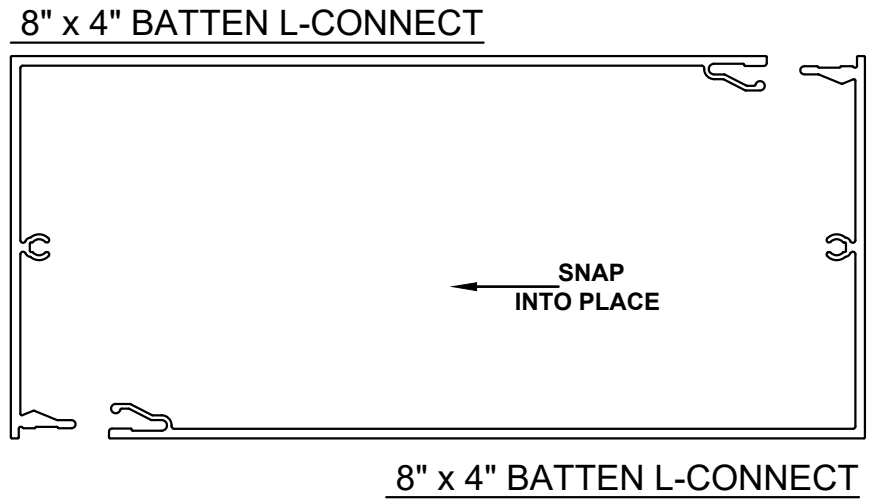
BATTEN @ TRELLIS (NO BRACKET)

- D8.10 - 8"X4" L-CONNECT (*ABOVE SUPPORT MEMBER*)
- D8.11 - 4"X8" L-CONNECT (*ABOVE SUPPORT MEMBER*)
- D8.12 - 8"X4" L-CONNECT (*BELOW SUPPORT MEMBER*)
- D8.13 - 4"X8" L-CONNECT (*BELOW SUPPORT MEMBER*)

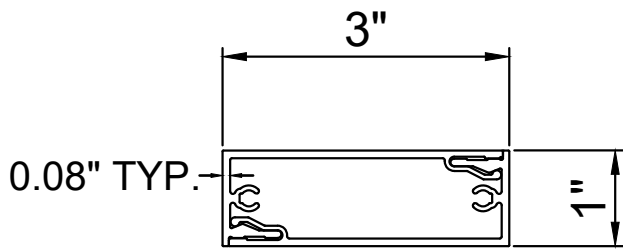
MOSAIC L-CONNECT BATTEN ASSEMBLIES



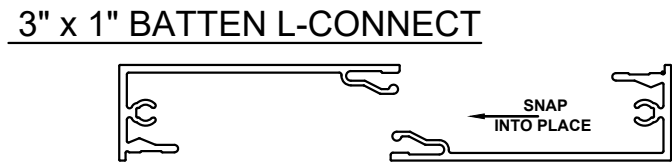
8" x 4" BATTEN L-CONNECT ASSEMBLY



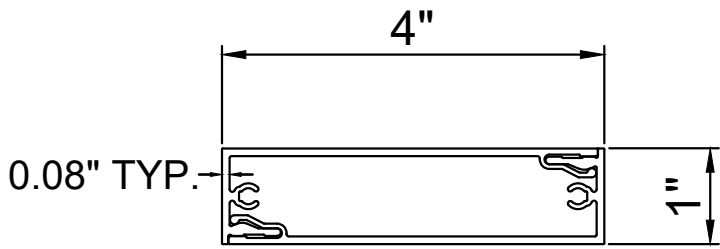
8" x 4" BATTEN L-CONNECT



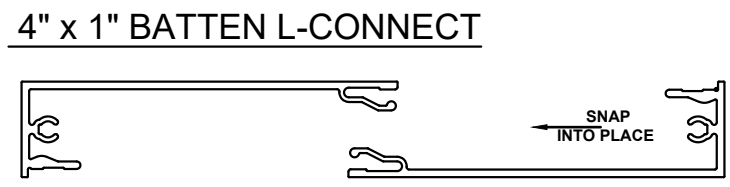
3" x 1" BATTEN L-CONNECT ASSEMBLY



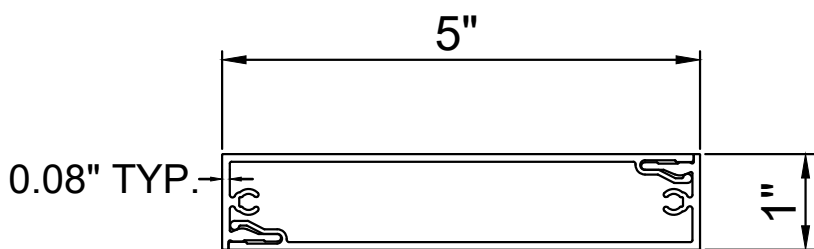
3" x 1" BATTEN L-CONNECT



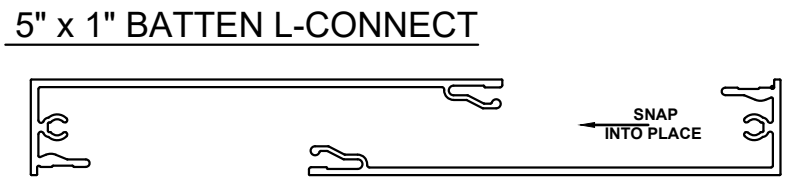
4" x 1" BATTEN L-CONNECT ASSEMBLY



4" x 1" BATTEN L-CONNECT



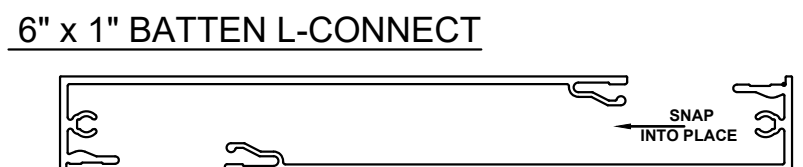
5" x 1" BATTEN L-CONNECT ASSEMBLY



5" x 1" BATTEN L-CONNECT

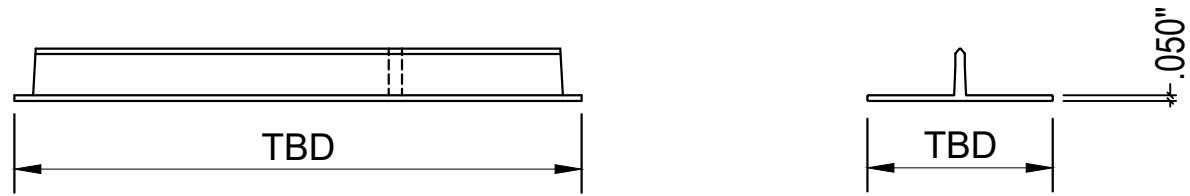


6" x 1" BATTEN L-CONNECT ASSEMBLY



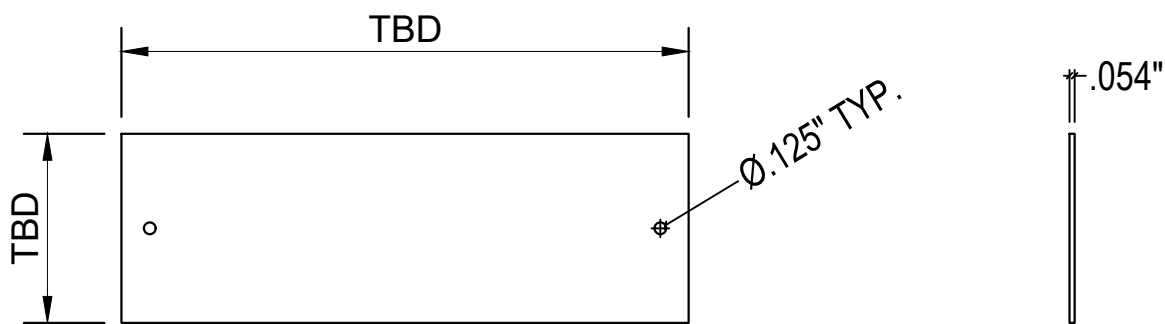
6" x 1" BATTEN L-CONNECT

MOSAIC END CAPS AND BRACKETS



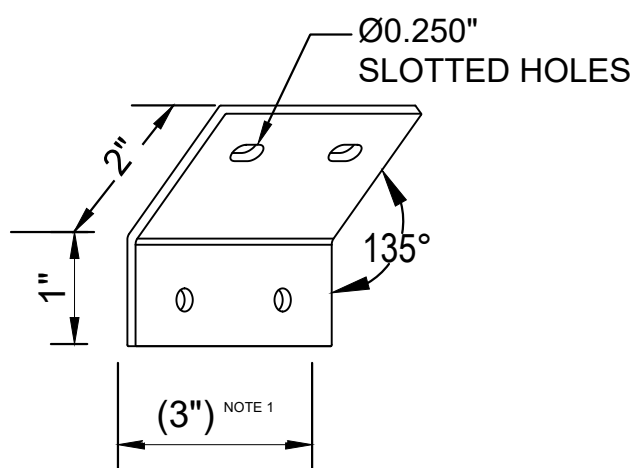
BATTEN T-END CAP

BATTEN T-END CAPS AVAILABLE IN:
1"x (UP TO 8" LG.), 2"x (UP TO 16" LG.), 4"x (UP TO 12" LG.)

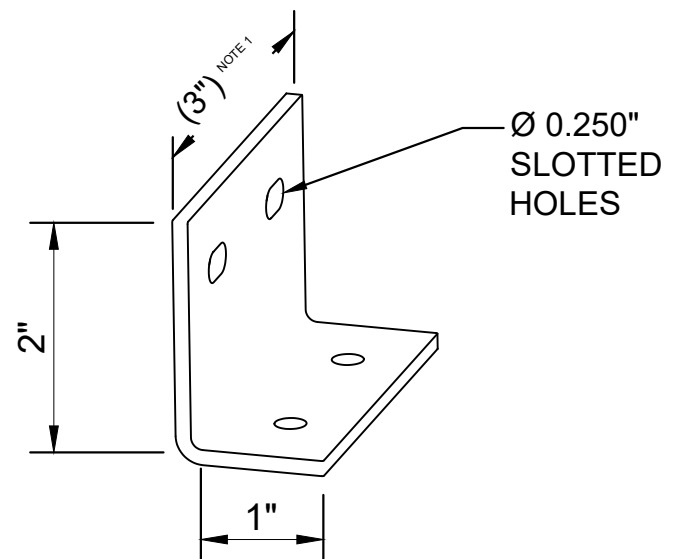


BATTEN FLAT END CAP

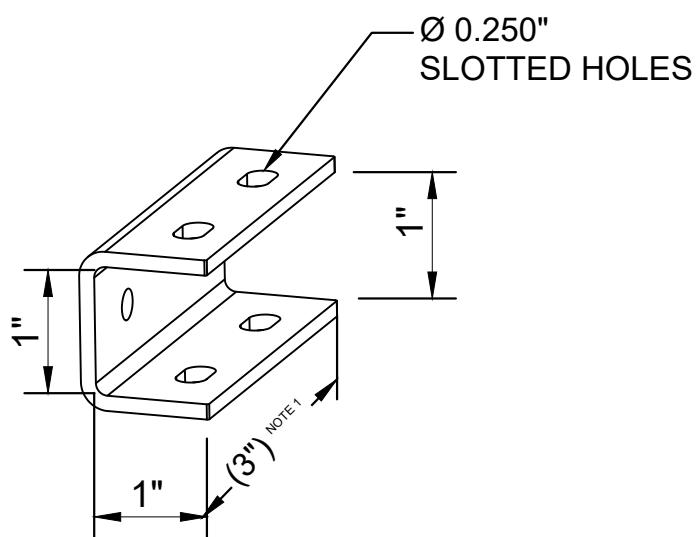
BATTEN T-END CAPS AVAILABLE IN:
1"x (UP TO 8" LG.), 2"x (UP TO 16" LG.), 4"x (UP TO 12" LG.)



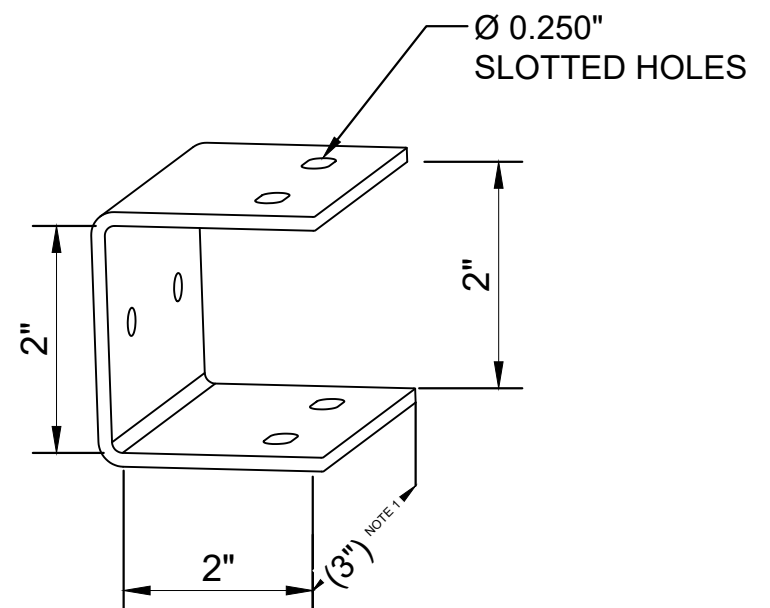
MOSAIC ANGLE BRACKET .125 ALUMINUM



MOSAIC L-BRACKET .125 ALUMINUM



MOSAIC 1" U-BRACKET .125 ALUMINUM

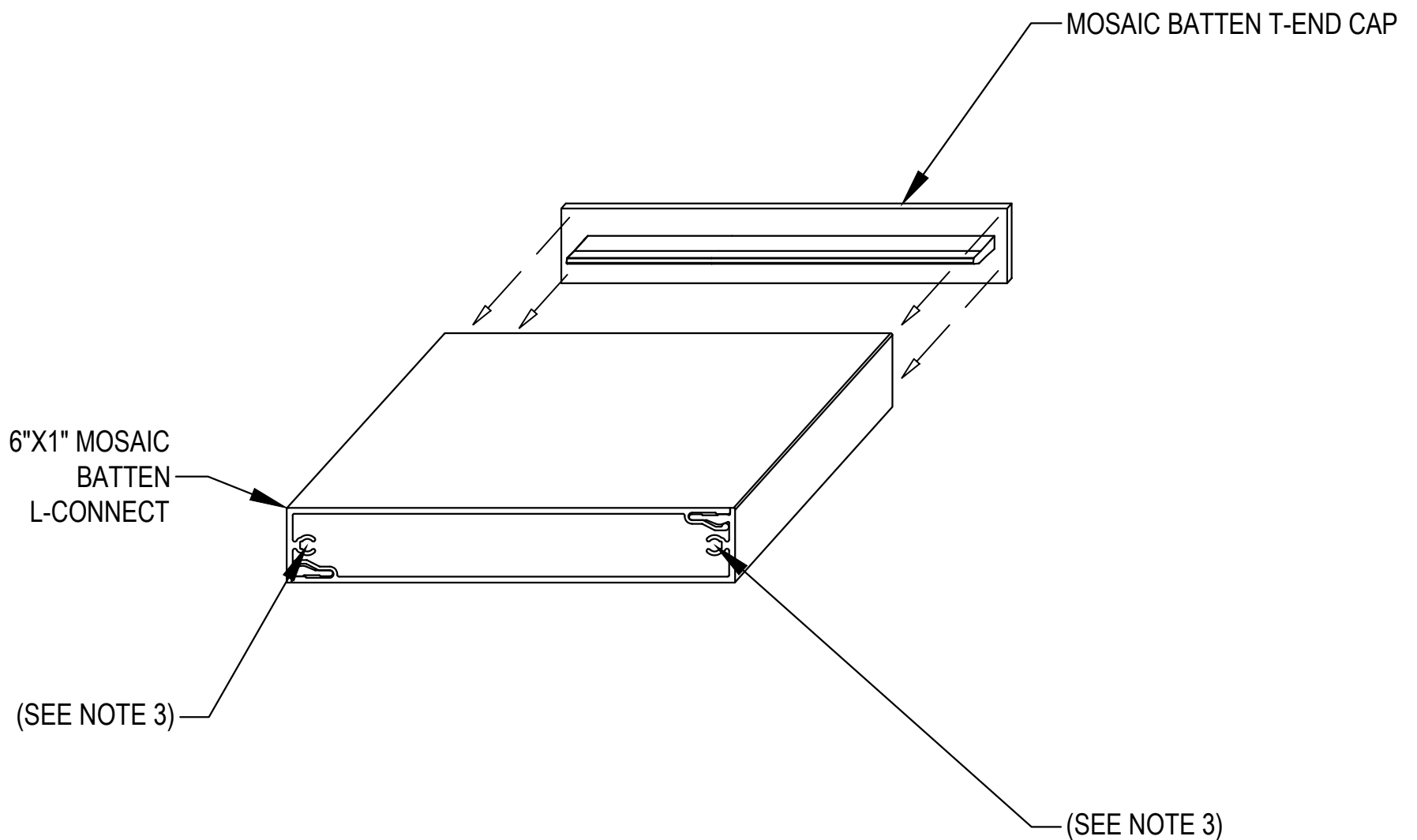


MOSAIC 2" U-BRACKET .125 ALUMINUM

NOTES

1. ADDITIONAL BRACKET LENGTHS AVAILABLE.

MOSAIC BATTEN T-END CAP



NOTES

1. ADDITIONAL BATTEN SIZES/TYPES AVAILABLE.
2. ENSURE THE EXTRUSION(S) ARE CUT SQUARE TO ACCOMMODATE END CAP. REMOVE ALL BURRS.
3. APPLY A SMALL DROP OF CLEAR SILICON IN EACH SCREW BOSS LOCATION, WHERE END CAP WILL BE INSERTED, JUST PRIOR TO INSERTING THE PRE-CUT END CAP.
4. A RUBBER Mallet IS RECOMMENDED TO SEAT THE CAP INTO PLACE.

MOSAIC BATTEN FLAT END CAP

ATTACH WITH $\frac{1}{8}$ " Ø STST
RIVETS OR
ALTERNATIVELY #10 Ø
STST SCREWS
(NOT BY LUMABUILT)

MOSAIC BATTEN FLAT
END CAP

6"X1" MOSAIC
BATTEN
L-CONNECT

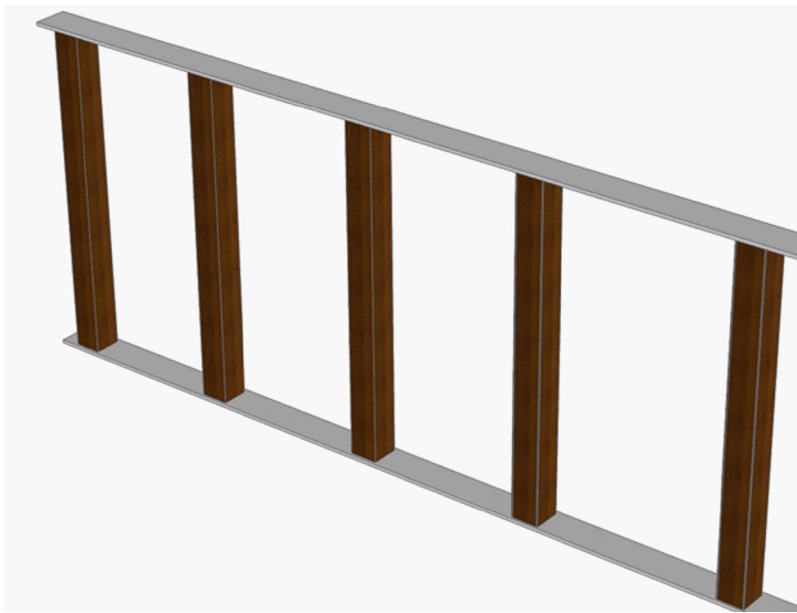
(SEE NOTE 3)

(SEE NOTE 3)

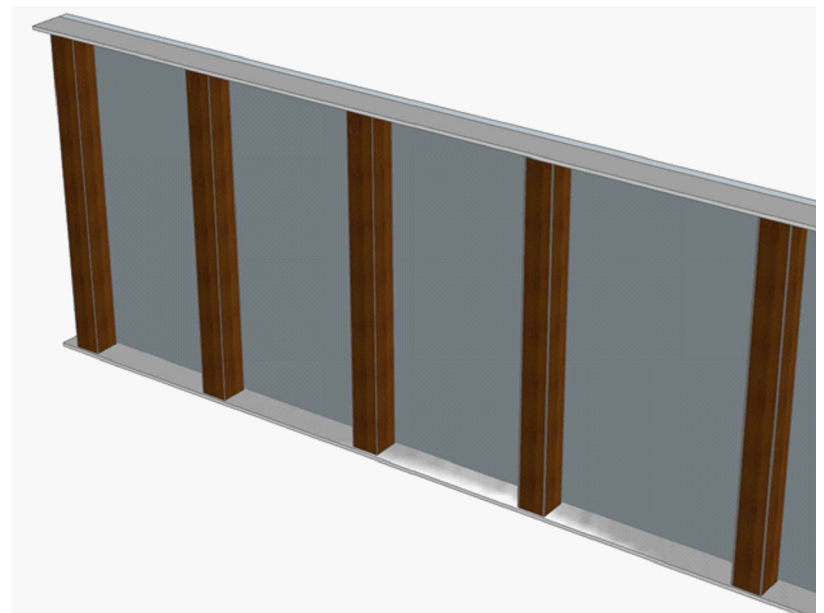
NOTES

1. ADDITIONAL BATTEN SIZES/TYPES AVAILABLE.
2. ENSURE THE EXTRUSION(S) ARE CUT SQUARE TO ACCOMMODATE END CAP. REMOVE ALL BURRS.
3. APPLY A SMALL DROP OF CLEAR SILICON IN EACH SCREW BOSS LOCATION, WHERE END CAP WILL BE POSITIONED, JUST PRIOR TO INSTALLING THE PRE-CUT END CAP.

SPAN ANCHORAGE TABLE - INFORMATION



OPEN FRAMING (NO SHEATHING BACKER)



CLOSED FRAMING (SHEATHING BACKER)

NOTES

1. FOR OPEN SYSTEMS (NO WALL SHEATHING) DIVIDE THE ALLOWABLE WIND LOAD CAPACITY BY 2. THE REACTION FORCES REMAIN THE SAME FOR BOTH OPEN AND CLOSED SYSTEMS.
2. EACH BRACKET TO SUBSTRATE CONNECTION REQUIRES 2 FASTENERS AT EACH ANCHORAGE POINT.
 - 2.1. **#12-14 STST SCREW USED FOR ANCHORAGE INTO 18 GAUGE STEEL, GRADE 33 (45 KSI)**
 - 2.2. **#8 WOOD SCREW USED FOR ANCHORAGE INTO $\frac{1}{2}$ " PLYWOOD**
 - 2.2.1. TO SUBSTITUTE WITH #12 STST WOOD SCREW, MULTIPLY VALUE BY 1.31
 - 2.2.2. TO SUBSTITUTE WITH $\frac{3}{4}$ " PLYWOOD SUBSTRATE, MULTIPLY VALUE BY 1.50
3. EACH CEE BRACKET TO BATTEN CONNECTION REQUIRES 4 FASTENERS
4. EACH L-BRACKET TO BATTEN CONNECTION REQUIRES 2 FASTENERS
5. MAXIMUM DEFLECTION = $L/180$
6. "N/A" VALUES ARE <16 PSF ALLOWABLE DESIGN PRESSURE
7. DESIGN PRESSURES ARE LIMITED TO 75 PSF
8. SNOW LOADS ARE NOT INCLUDED IN CALCULATIONS
9. FACTOR OF SAFETY OF 3 IS CONSIDERED IN THE CALCULATIONS
10. VERTICAL OR HORIZONTAL ORIENTATION OF BATTENS WILL NOT HAVE AN EFFECT ON THE DEFLECTION VALUES CALCULATED ON THE BATTENS DUE TO LIVE LOADS (WIND). CAPACITY OF THE BATTEN IS VALID FOR BOTH HORIZONTAL AND VERTICAL ORENTATION INSTALLS.

SPAN ANCHORAGE CHARTS - SINGLE SPAN

SINGLE-SPAN ANCHORAGE CHART										
FRAMING: CLOSED WALL FRAMING	SUBSTRATE: 18 GAUGE STEEL					* ATTACHMENT OPTIONS AVAILABLE: L = L-BRACKET U = U-BRACKET A = ANGLE BRACKET DS = BATTEN DIRECT TO SUBSTRATE				
BATTEN TYPE	ALLOWABLE ANCHOR CAPACITY - psf {MEMBER END REACTIONS - lb.}									
MOSAIC L-CONNECT BATTEN ASSEMBLY* L, U, A, DS	SPAN (in.)									
BATTEN SIZE	24	36	48	60	72	84	96	108	120	
1X3	75 {19}	75 {28}	75 {38}	75 {47}	70 {52}	44 {38}	29 {29}	21 {23}	N/A	
1X4	75 {25}	75 {38}	75 {50}	75 {63}	66 {66}	42 {49}	28 {37}	20 {29}	N/A	
1X5	75 {31}	75 {47}	75 {63}	75 {78}	64 {80}	40 {59}	27 {45}	19 {36}	N/A	
1X6	75 {38}	75 {56}	75 {75}	75 {94}	63 {95}	40 {70}	27 {53}	19 {36}	N/A	
1X6 - 45°	75 {31}	75 {47}	75 {63}	75 {78}	75 {94}	75 {109}	75 {125}	75 {141}	75 {156}	

SINGLE-SPAN ANCHORAGE CHART										
FRAMING: CLOSED WALL FRAMING	SUBSTRATE: 1/2" PLYWOOD					* ATTACHMENT OPTIONS AVAILABLE: L = L-BRACKET U = U-BRACKET A = ANGLE BRACKET DS = BATTEN DIRECT TO SUBSTRATE				
BATTEN TYPE	ALLOWABLE ANCHOR CAPACITY - psf {MEMBER END REACTIONS - lb.}									
MOSAIC L-CONNECT BATTEN ASSEMBLY* L, U, A, DS	SPAN (in.)									
BATTEN SIZE	24	36	48	60	72	84	96	108	120	
1X3	75 {19}	75 {28}	75 {38}	67 {42}	56 {42}	44 {38}	29 {29}	21 {23}	N/A	
1X4	75 {25}	75 {38}	63 {42}	50 {42}	42 {42}	36 {49}	28 {37}	20 {29}	N/A	
1X5	75 {31}	67 {42}	50 {42}	40 {42}	34 {42}	29 {42}	25 {42}	19 {36}	N/A	
1X6	75 {38}	56 {42}	42 {42}	34 {42}	28 {42}	24 {42}	21 {42}	19 {36}	N/A	
1X6 - 45°	75 {31}	67 {42}	50 {42}	40 {42}	34 {42}	29 {42}	25 {42}	22 {42}	20 {42}	



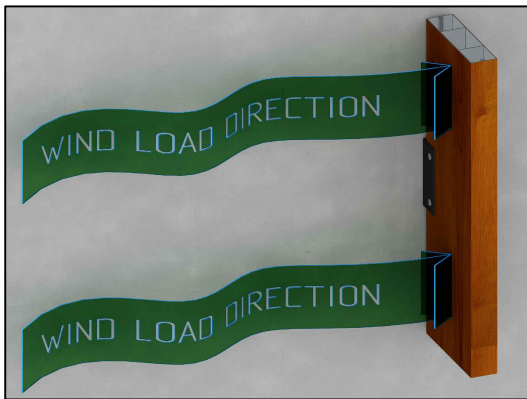
NOTES

1. MEMBER REACTION {lbs} VALUES ARE AT EACH ANCHORAGE POINT.
2. FOR OPEN SYSTEMS (NO WALL SHEATHING) DIVIDE THE ALLOWABLE WIND LOAD CAPACITY BY 2. THE REACTION FORCES REMAIN THE SAME FOR BOTH OPEN AND CLOSED SYSTEMS.
3. EACH BATTEN TO SUBSTRATE CONNECTION REQUIRES 2 FASTENERS AT EACH ANCHORAGE POINT.
 - 3.1. #12-14 STST SCREW USED FOR ANCHORAGE INTO 18 GAUGE STEEL, GRADE 33 (45 KSI)
 - 3.2. #8 WOOD SCREW USED FOR ANCHORAGE INTO 1/2" PLYWOOD
 - 3.2.1. TO SUBSTITUTE WITH #12 STST WOOD SCREW, MULTIPLY VALUE BY 1.31
 - 3.2.2. TO SUBSTITUTE WITH 3/4" PLYWOOD SUBSTRATE, MULTIPLY VALUE BY 1.50
4. MAXIMUM DEFLECTION = L/180
5. "N/A" VALUES ARE <16 PSF ALLOWABLE DESIGN PRESSURE
6. DESIGN PRESSURES ARE LIMITED TO 75 PSF
7. SNOW LOADS ARE NOT INCLUDED IN CALCULATIONS
8. FACTOR OF SAFETY OF 3 IS CONSIDERED IN THE CALCULATIONS
9. VERTICAL OR HORIZONTAL ORIENTATION OF BATTENS WILL NOT HAVE AN EFFECT ON THE DEFLECTION VALUES CALCULATED ON THE BATTENS DUE TO LIVE LOADS (WIND). CAPACITY OF THE BATTEN IS VALID FOR BOTH HORIZONTAL AND VERTICAL ORIENTATION INSTALLS.

SPAN ANCHORAGE CHARTS - MULTI SPAN

MULTI-ATTACHMENT ANCHORAGE CHART

FRAMING: CLOSED WALL FRAMING	SUBSTRATE: 18 GAUGE STEEL	* ATTACHMENT OPTIONS AVAILABLE: L = L-BRACKET U = U-BRACKET A = ANGLE BRACKET DS = BATTEN DIRECT TO SUBSTRATE			
BATTEN TYPE		ALLOWABLE LOAD - psf {REACTION - lb}			
MOSAIC L-CONNECT BATTEN ASSEMBLY *L, U, A, DS		NUMBER OF ATTACHMENT POINTS - SPAN"			
		BATTEN SIZE	2- Span@132"	3- Span@88"	4- Span@66"
		1X3	16 {55}	54 {109}	75 {118}
		1X4	15 {70}	51 {138}	75 {157}
		1X5	15 {84}	50 {167}	75 {196}
		1X6	14 {97}	49 {198}	75 {235}
		1X6 - 45°	26 {248}	74 {248}	75 {233}



NOTES

1. MEMBER REACTION {lbs} VALUES SHOW LARGEST REACTION FORCE FROM THE ENTIRE SPAN, AT AN INDIVIDUAL ANCHORAGE POINT.
2. FOR OPEN SYSTEMS (NO WALL SHEATHING) DIVIDE THE ALLOWABLE WIND LOAD CAPACITY BY 2. THE REACTION FORCES REMAIN THE SAME FOR BOTH OPEN AND CLOSED SYSTEMS.
3. EACH BATTEN TO SUBSTRATE CONNECTION REQUIRES 2 FASTENERS AT EACH ANCHORAGE POINT.
 - 3.1. #12-14 STST SCREW USED FOR ANCHORAGE INTO 18 GAUGE STEEL, GRADE 33 (45 KSI)
4. MAXIMUM DEFLECTION = L/180
5. "N/A" VALUES ARE <16 PSF ALLOWABLE DESIGN PRESSURE
6. DESIGN PRESSURES ARE LIMITED TO 75 PSF
7. SNOW LOADS ARE NOT INCLUDED IN CALCULATIONS
8. FACTOR OF SAFETY OF 3 IS CONSIDERED IN THE CALCULATIONS
9. VERTICAL OR HORIZONTAL ORIENTATION OF BATTENS WILL NOT HAVE AN EFFECT ON THE DEFLECTION VALUES CALCULATED ON THE BATTENS DUE TO LIVE LOADS (WIND). CAPACITY OF THE BATTEN IS VALID FOR BOTH HORIZONTAL AND VERTICAL ORENTATION INSTALLS.

EXPANSION AND CONTRACTION TABLE FOR ALUMINUM 6063

Average Temperature at Time of Cutting & Installation

°F		-20	0	10	20	35	50	65	80	95	105	120
Minimum and Maximum Temperature at Install Location	°F	Expansion or Contraction (Inches/Foot)										
	-20	0.000	0.003	0.002	0.006	0.008	0.011	0.013	0.015	0.017	0.019	0.021
	0	0.003	0.000	0.002	0.003	0.005	0.008	0.010	0.012	0.014	0.016	0.018
	10	0.005	0.002	0.000	0.002	0.004	0.006	0.008	0.011	0.013	0.014	0.017
	20	0.006	0.003	0.002	0.000	0.002	0.005	0.007	0.009	0.011	0.013	0.015
	35	0.008	0.005	0.004	0.002	0.000	0.002	0.005	0.007	0.009	0.011	0.013
	50	0.011	0.008	0.006	0.005	0.002	0.000	0.002	0.005	0.007	0.008	0.011
	65	0.013	0.010	0.008	0.007	0.005	0.002	0.000	0.002	0.005	0.006	0.008
	80	0.015	0.012	0.011	0.009	0.007	0.005	0.002	0.000	0.002	0.004	0.006
	95	0.017	0.014	0.013	0.011	0.009	0.007	0.005	0.002	0.000	0.002	0.004
	105	0.019	0.016	0.014	0.013	0.011	0.008	0.006	0.004	0.002	0.000	0.002
	120	0.021	0.018	0.017	0.015	0.013	0.011	0.008	0.006	0.004	0.002	0.000

INSTRUCTIONS FOR USING THE EXPANSION AND CONTRACTION TABLE

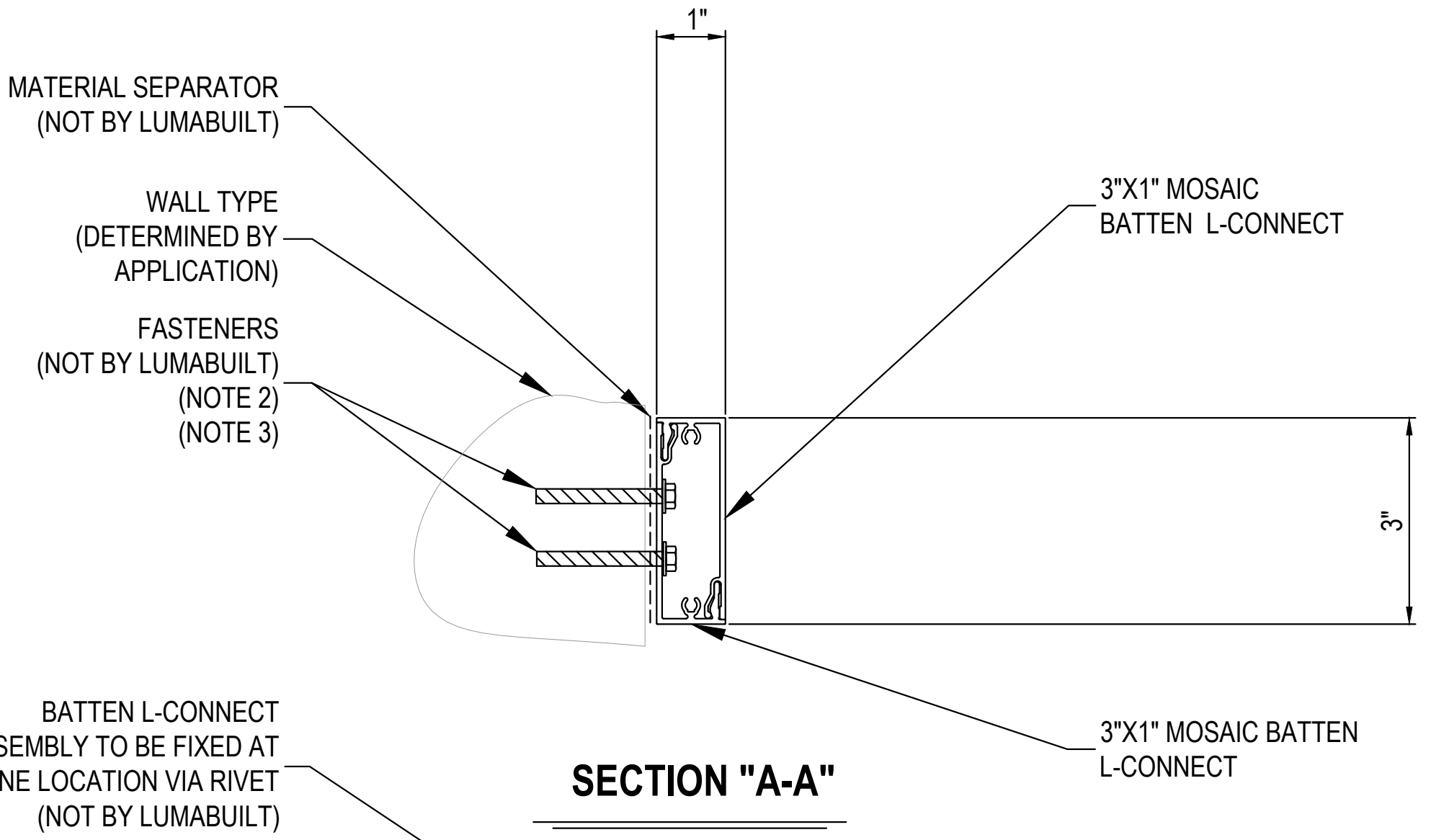
1. DETERMINE THE:
 - 1.1. TEMPERATURE AT THE TIME OF CUTTING/INSTALLATION OF MOSAIC BATTENS
 - 1.2. TEMPERATURE HIGH AND LOW OF THE INSTALLATION AREA.

2. TO FIND MOSAIC BATTEN EXPANSION:
 - 2.1. USE THE HIGH TEMPERATURE OF THE INSTALLATION AREA TO LOCATE THE CORRESPONDING VALUE IN THE LEFT COLUMN.
 - 2.2. USE THE CURRENT TEMPERATURE AT THE TIME OF CUTTING/INSTALLATION TO LOCATE THE CORRESPONDING VALUE IN THE TOP ROW.
 - 2.3. FIND THE VALUE WHERE THE COLUMN AND ROW INTERSECT. MULTIPLY THIS VALUE TIMES THE TOTAL LENGTH OF THE BATTEN AND THIS WILL BE THE AMOUNT THE BATTEN WILL EXPAND.

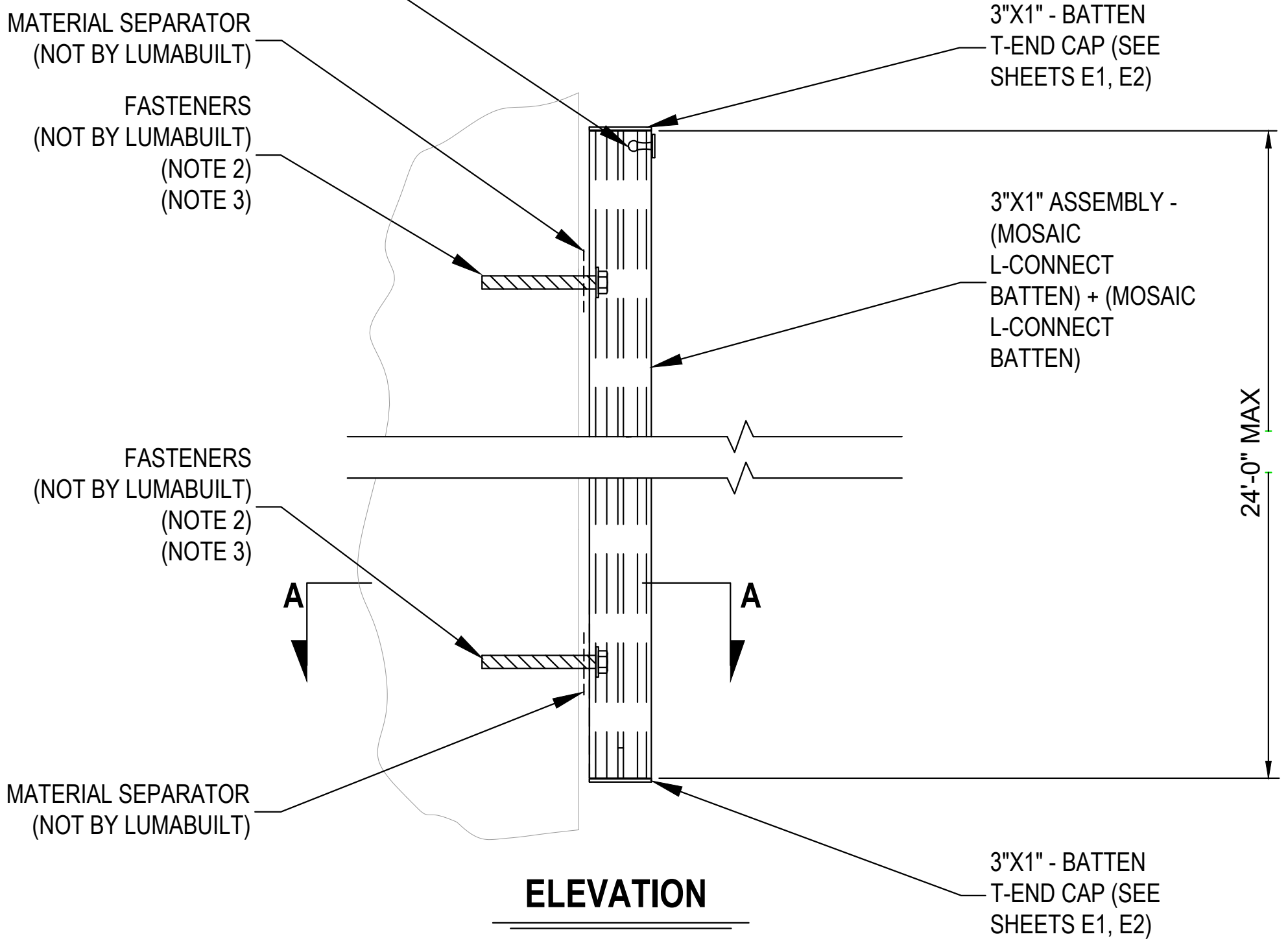
3. TO FIND MOSAIC BATTEN CONTRACTION:
 - 3.1. PERFORM STEPS 2.1 TO 2.3, EXCEPT USE THE LOW TEMPERATURE OF THE INSTALLATION AREA WHEN LOCATING YOUR COLUMN VALUE.

ALTERNATIVELY THIS EQUATION MAY BE USED:

$$\left(\begin{array}{l} \text{THERMAL (EXPANSION OR} \\ \text{CONTRACTION) CHANGE IN} \\ \text{LENGTH (INCHES)} \end{array} \right) = (12.5 \times 10^{-6}) \times \left(\begin{array}{l} \text{STARTING BATTEN} \\ \text{LENGTH (INCHES)} \end{array} \right) \times \left(\begin{array}{l} \text{CHANGE IN} \\ \text{TEMPERATURE (°F)} \end{array} \right)$$



SECTION "A-A"



ELEVATION

NOTES

1. BATTENS SHOWN CAN BE USED IN VERTICAL & HORIZONTAL APPLICATIONS.
2. FASTENER SIZE, TYPE AND SPACING TO BE DETERMINED BY PROJECT ENGINEER.
3. EACH FASTENER LOCATION MUST BE PRE-DRILLED THROUGH THE MOSAIC BATTEN PRIOR TO INSTALL. ALLOWANCE FOR THERMAL MOVEMENT FOR EACH APPLICATION MUST BE CONSIDERED; SEE APPENDIX A1 AND VERIFY WITH PROJECT ENGINEER.

MATERIAL SEPARATOR
(NOT BY LUMABUILT)

WALL TYPE
(DETERMINED BY
APPLICATION)

FASTENERS
(NOT BY LUMABUILT)
(NOTE 2)
(NOTE 3)

6"X1" MOSAIC
BATTEN L-CONNECT

6"

BATTEN L-CONNECT
ASSEMBLY TO BE FIXED AT
ONE LOCATION VIA RIVET
(NOT BY LUMABUILT)

SECTION "A-A"

6"X1" MOSAIC BATTEN
L-CONNECT

MATERIAL SEPARATOR
(NOT BY LUMABUILT)

FASTENERS
(NOT BY LUMABUILT)
(NOTE 2)
(NOTE 3)

6"X1" - BATTEN
T-END CAP (SEE
SHEETS E1, E2)

FASTENERS
(NOT BY LUMABUILT)
(NOTE 2)
(NOTE 3)

6"X1" ASSEMBLY -
(MOSAIC
L-CONNECT
BATTEN) + (MOSAIC
L-CONNECT
BATTEN)

24'-0" MAX

FASTENERS
(NOT BY LUMABUILT)
(NOTE 2)
(NOTE 3)

A

A

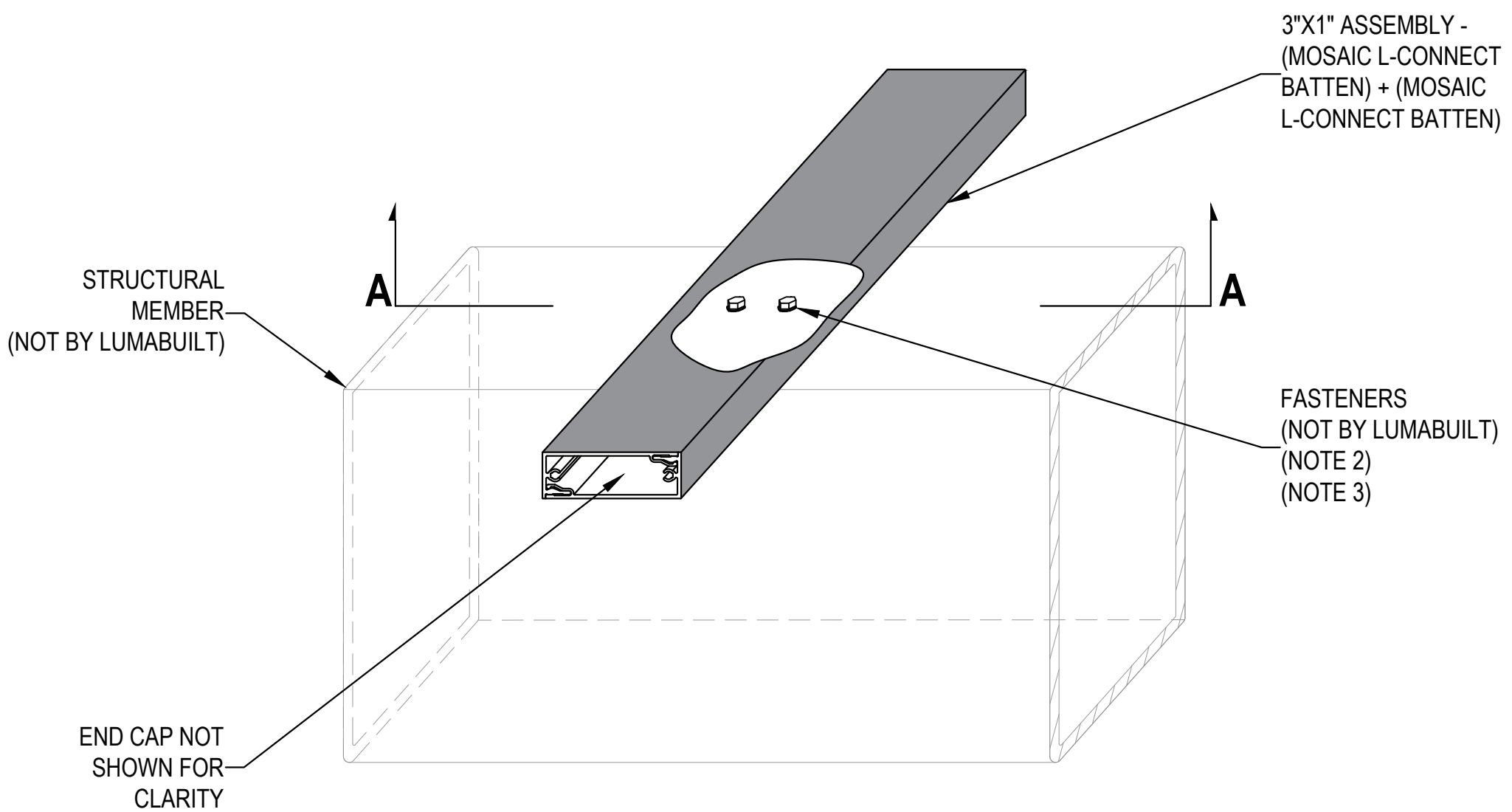
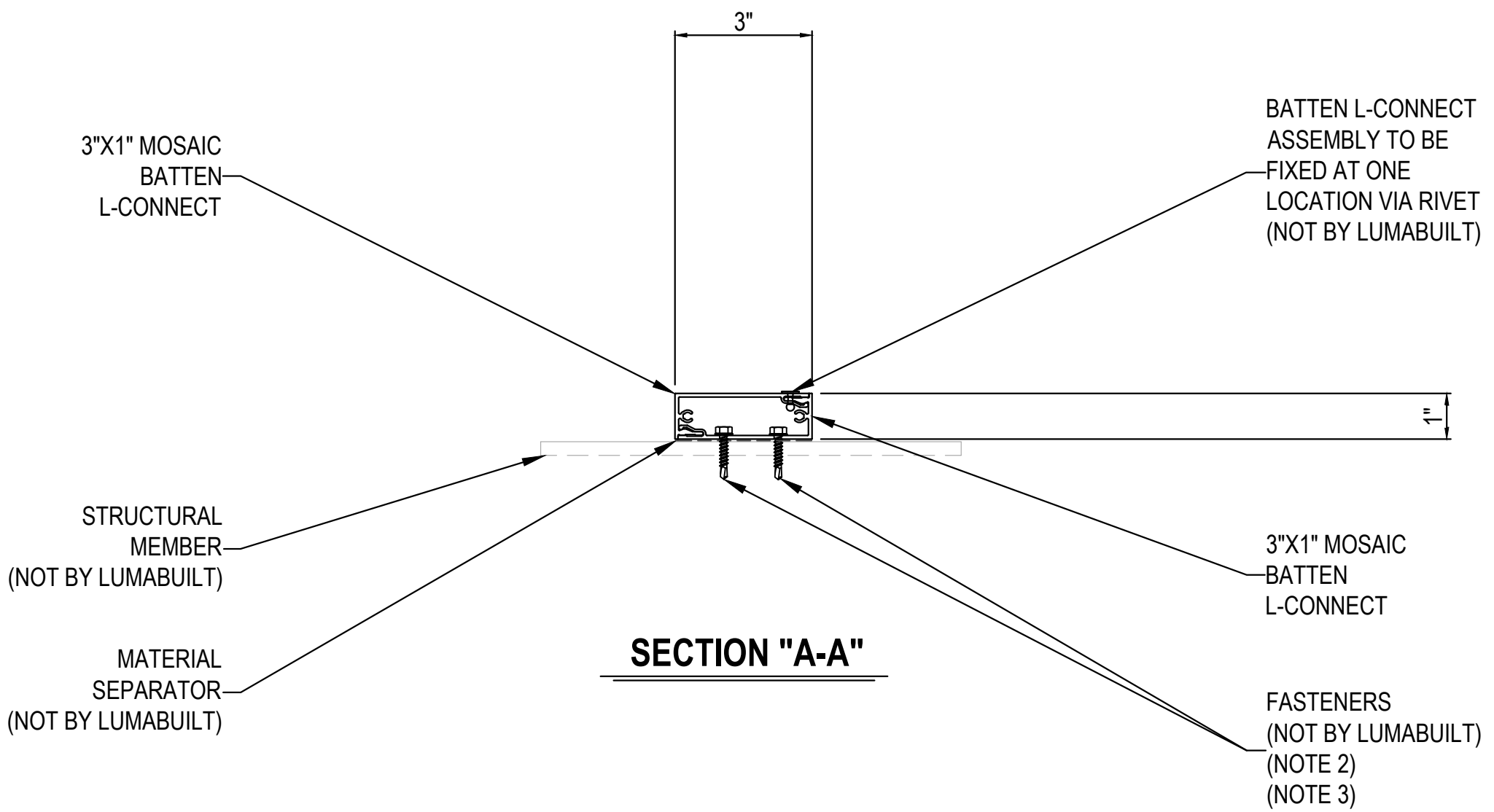
MATERIAL
SEPARATOR
(NOT BY
LUMABUILT)

6"X1" - BATTEN
T-END CAP (SEE
SHEETS E1, E2)

ELEVATION

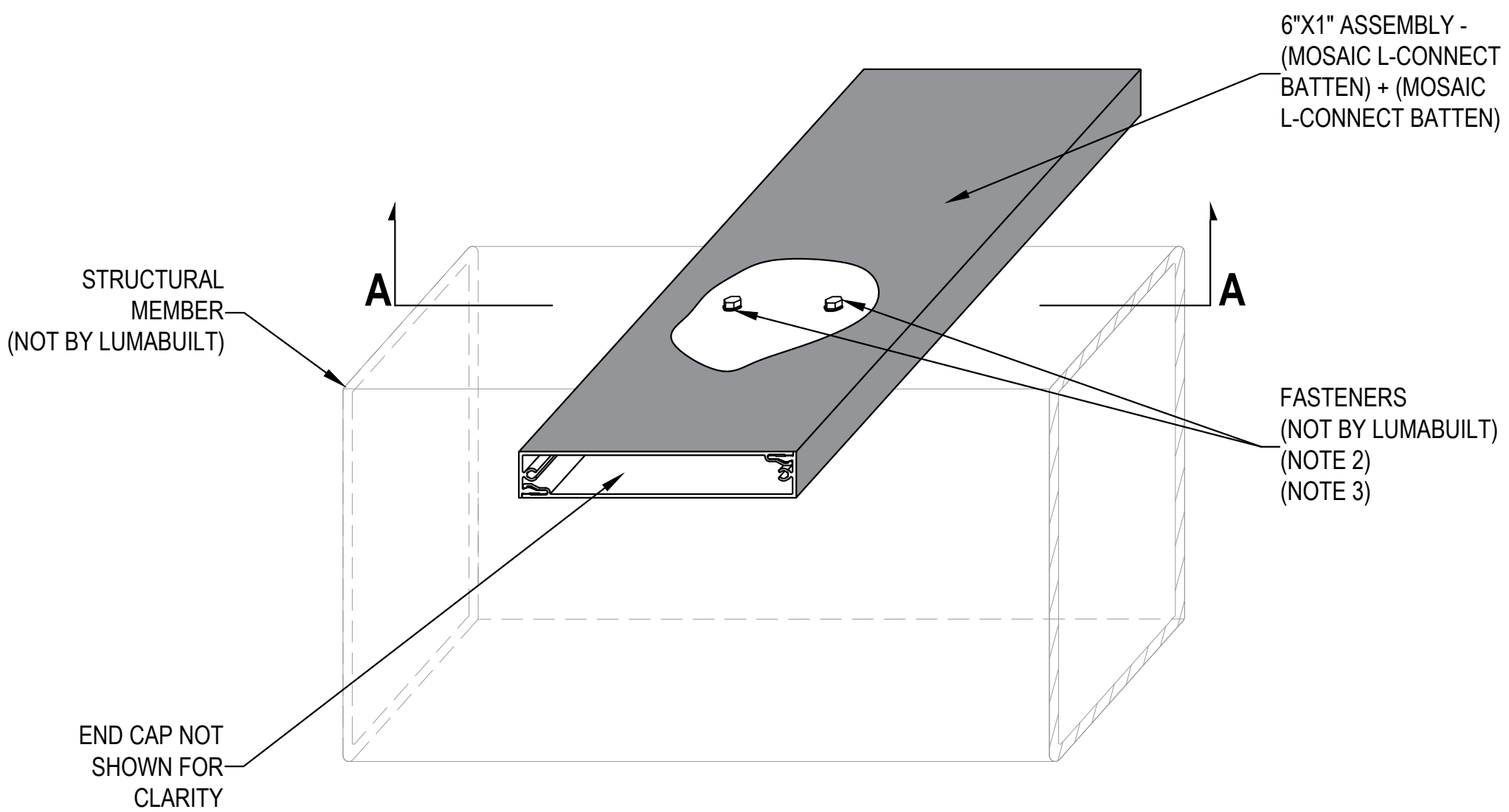
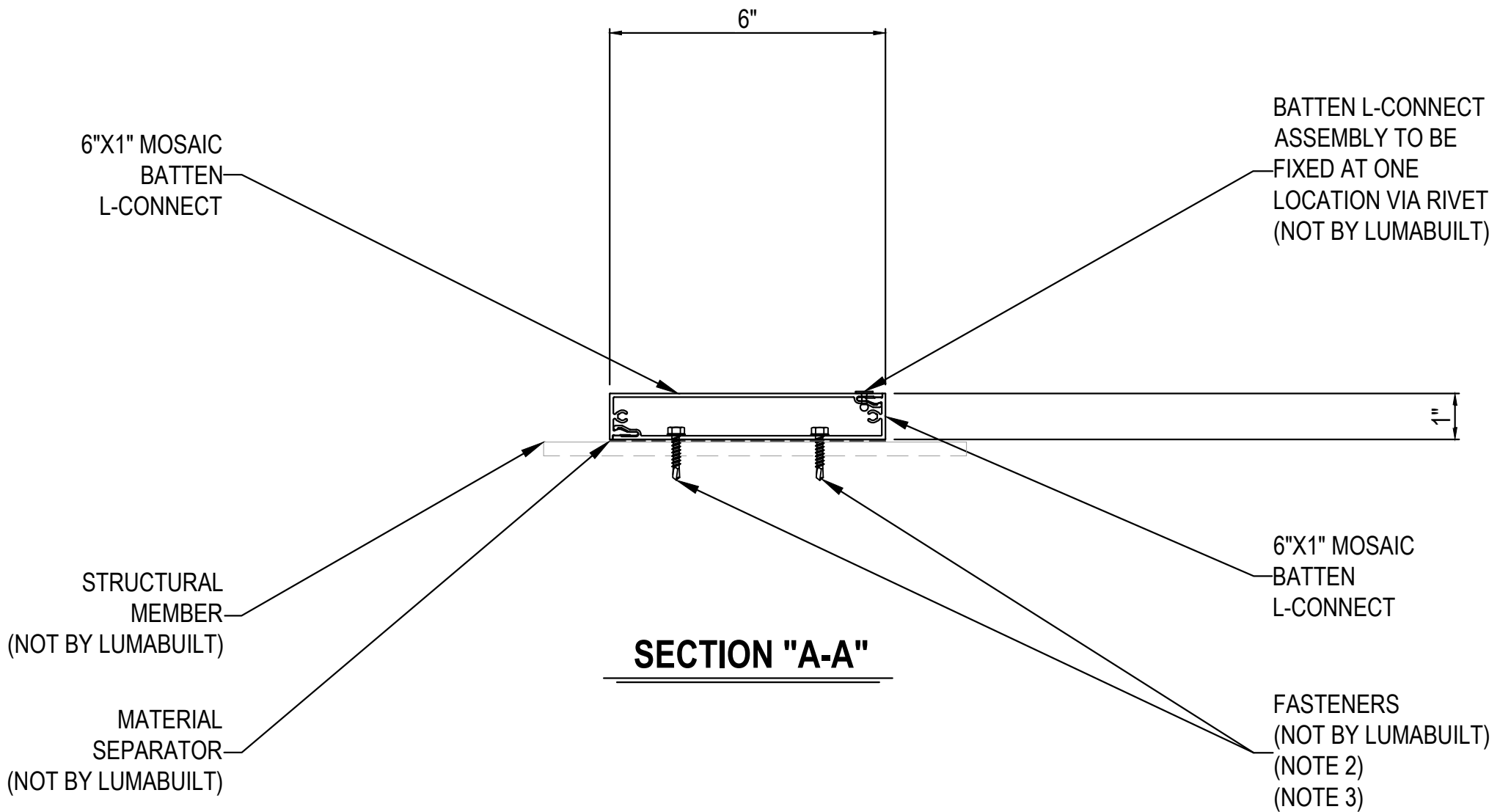
NOTES

1. BATTENS SHOWN CAN BE USED IN VERTICAL & HORIZONTAL APPLICATIONS.
2. FASTENER SIZE, TYPE AND SPACING TO BE DETERMINED BY PROJECT ENGINEER.
3. EACH FASTENER LOCATION MUST BE PRE-DRILLED THROUGH THE MOSAIC BATTEN PRIOR TO INSTALL. ALLOWANCE FOR THERMAL MOVEMENT FOR EACH APPLICATION MUST BE CONSIDERED; SEE APPENDIX A1 AND VERIFY WITH PROJECT ENGINEER.



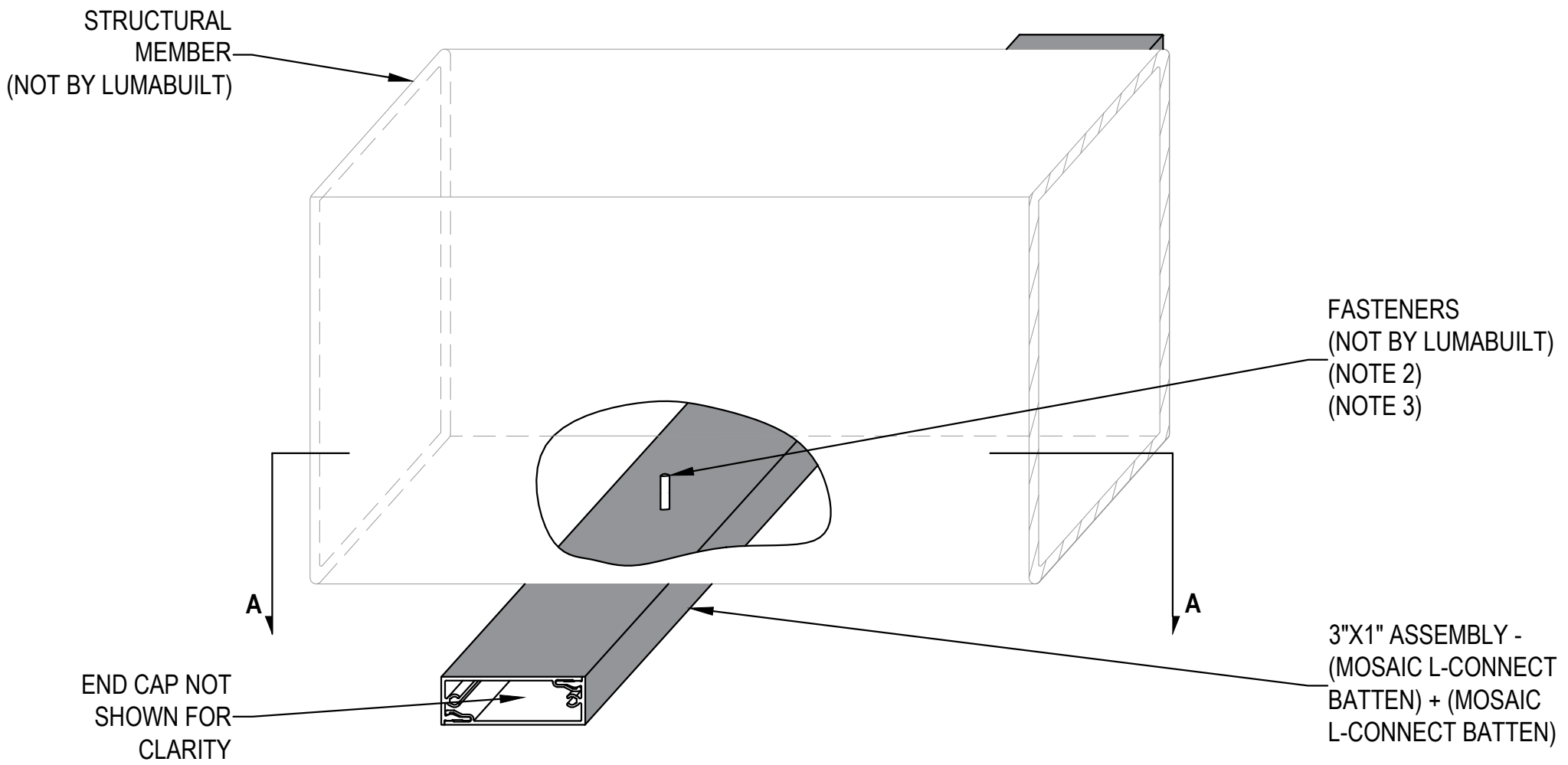
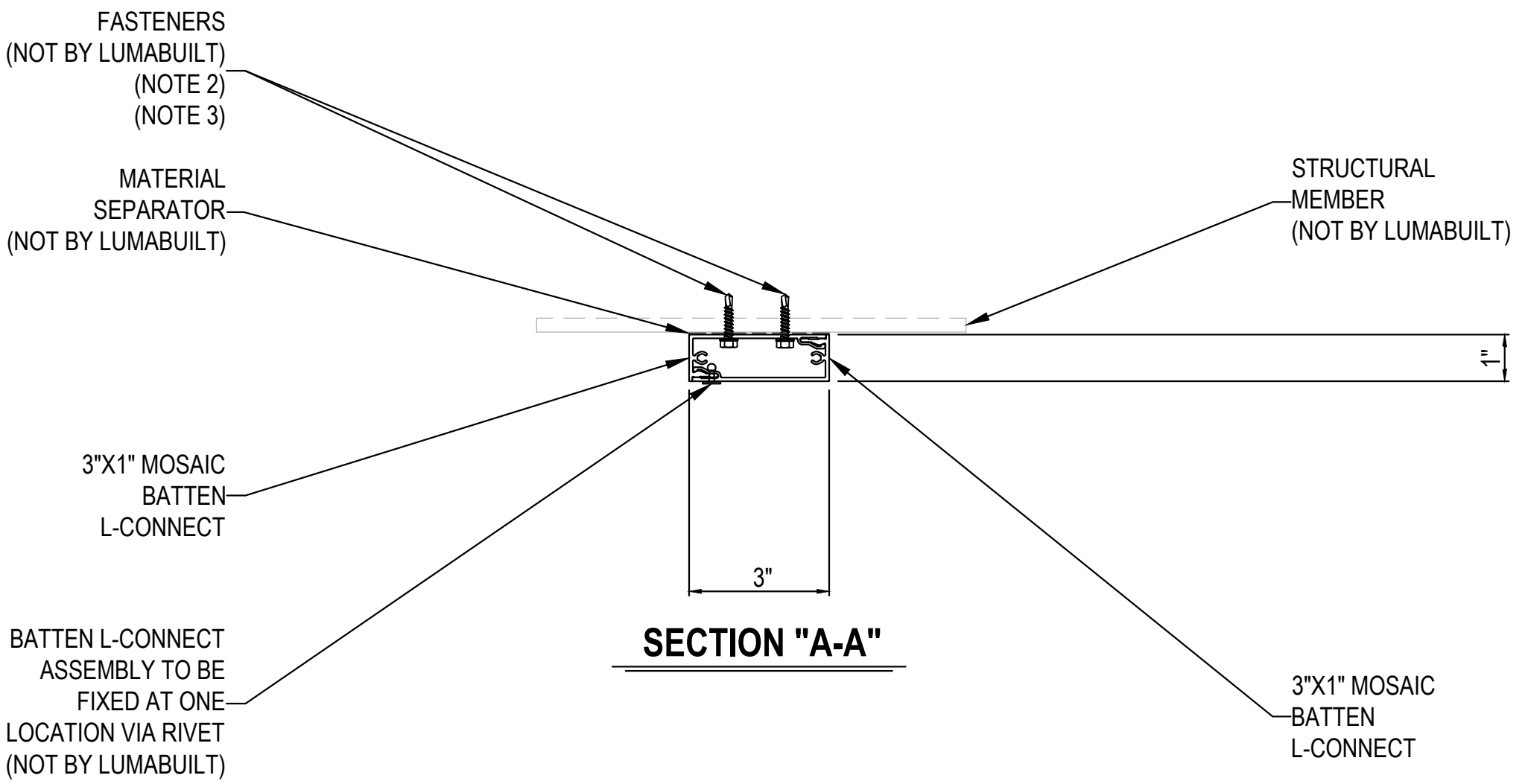
NOTES

1. BATTENS SHOWN CAN BE USED IN VERTICAL & HORIZONTAL APPLICATIONS.
2. FASTENER SIZE, TYPE AND SPACING TO BE DETERMINED BY PROJECT ENGINEER.
3. EACH FASTENER LOCATION MUST BE PRE-DRILLED THROUGH THE MOSAIC BATTEN PRIOR TO INSTALL. ALLOWANCE FOR THERMAL MOVEMENT FOR EACH APPLICATION MUST BE CONSIDERED; SEE APPENDIX A1 AND VERIFY WITH PROJECT ENGINEER.



NOTES

1. BATTENS SHOWN CAN BE USED IN VERTICAL & HORIZONTAL APPLICATIONS.
2. FASTENER SIZE, TYPE AND SPACING TO BE DETERMINED BY PROJECT ENGINEER.
3. EACH FASTENER LOCATION MUST BE PRE-DRILLED THROUGH THE MOSAIC BATTEN PRIOR TO INSTALL. ALLOWANCE FOR THERMAL MOVEMENT FOR EACH APPLICATION MUST BE CONSIDERED; SEE APPENDIX A1 AND VERIFY WITH PROJECT ENGINEER.



NOTES

1. BATTENS SHOWN CAN BE USED IN VERTICAL & HORIZONTAL APPLICATIONS.
2. FASTENER SIZE, TYPE AND SPACING TO BE DETERMINED BY PROJECT ENGINEER.
3. EACH FASTENER LOCATION MUST BE PRE-DRILLED THROUGH THE MOSAIC BATTEN PRIOR TO INSTALL. ALLOWANCE FOR THERMAL MOVEMENT FOR EACH APPLICATION MUST BE CONSIDERED; SEE APPENDIX A1 AND VERIFY WITH PROJECT ENGINEER.

FASTENERS
(NOT BY LUMABUILT)
(NOTE 2)
(NOTE 3)

MATERIAL
SEPARATOR
(NOT BY LUMABUILT)

FASTENERS
(NOT BY LUMABUILT)
(NOTE 2)
(NOTE 3)

STRUCTURAL
MEMBER
(NOT BY LUMABUILT)

6"X1" MOSAIC
BATTEN
L-CONNECT

BATTEN L-CONNECT
ASSEMBLY TO BE
FIXED AT ONE
LOCATION VIA RIVET
(NOT BY LUMABUILT)

SECTION "A-A"

6"X1" MOSAIC
BATTEN
L-CONNECT

STRUCTURAL
MEMBER
(NOT BY LUMABUILT)

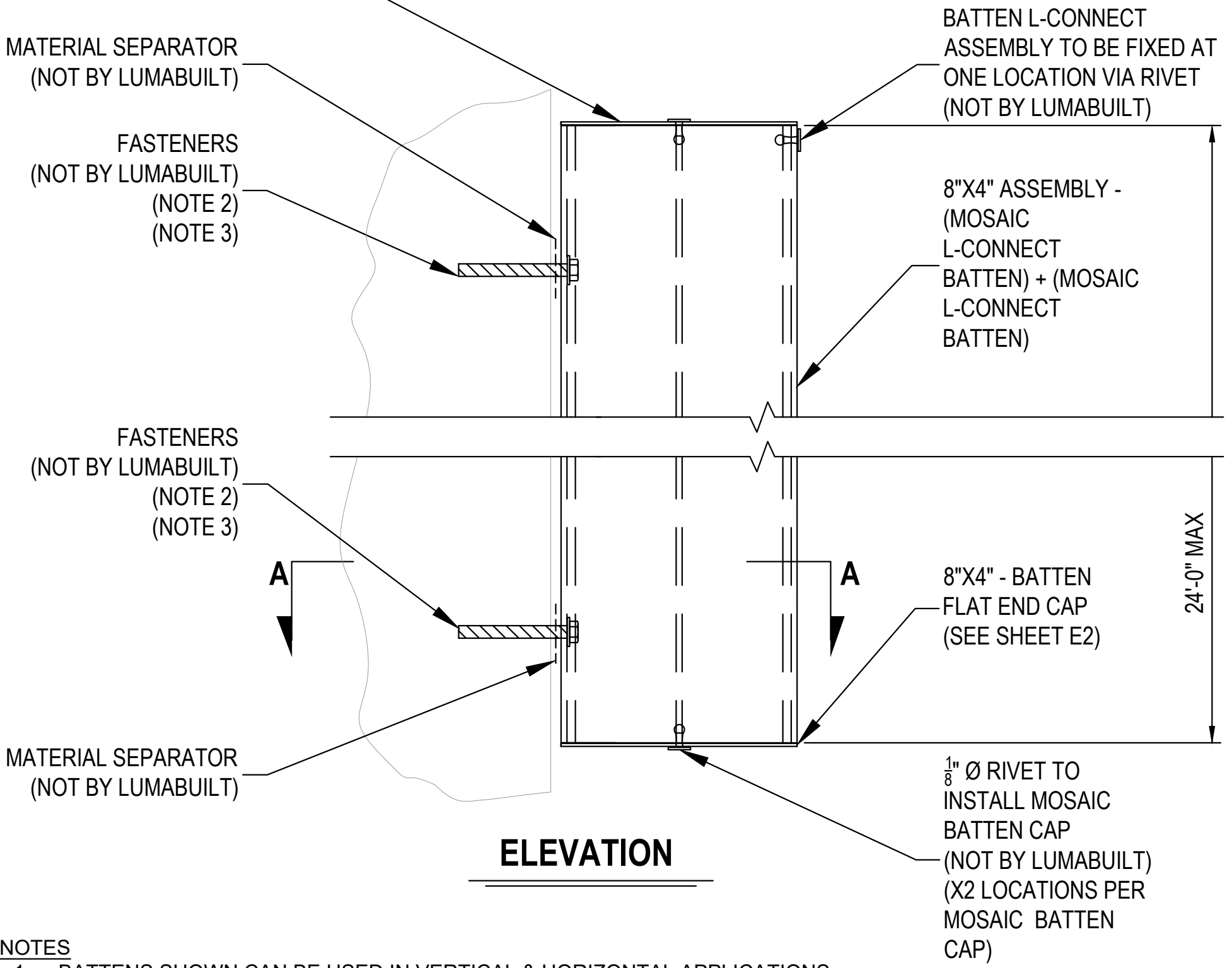
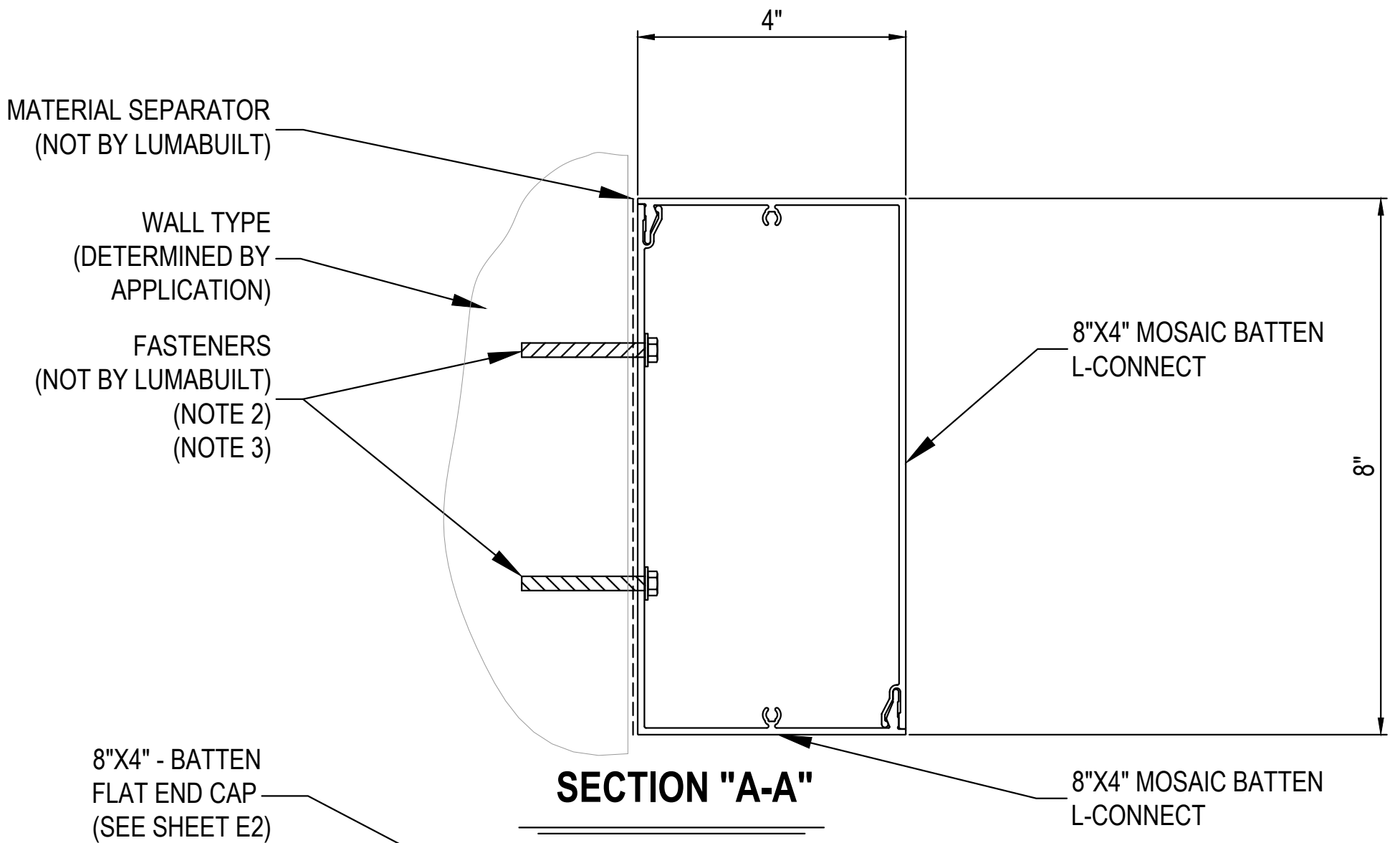
FASTENERS
(NOT BY LUMABUILT)
(NOTE 2)
(NOTE 3)

END CAP NOT
SHOWN FOR
CLARITY

6"X1" ASSEMBLY -
(MOSAIC L-CONNECT
BATTEN) + (MOSAIC
L-CONNECT BATTEN)

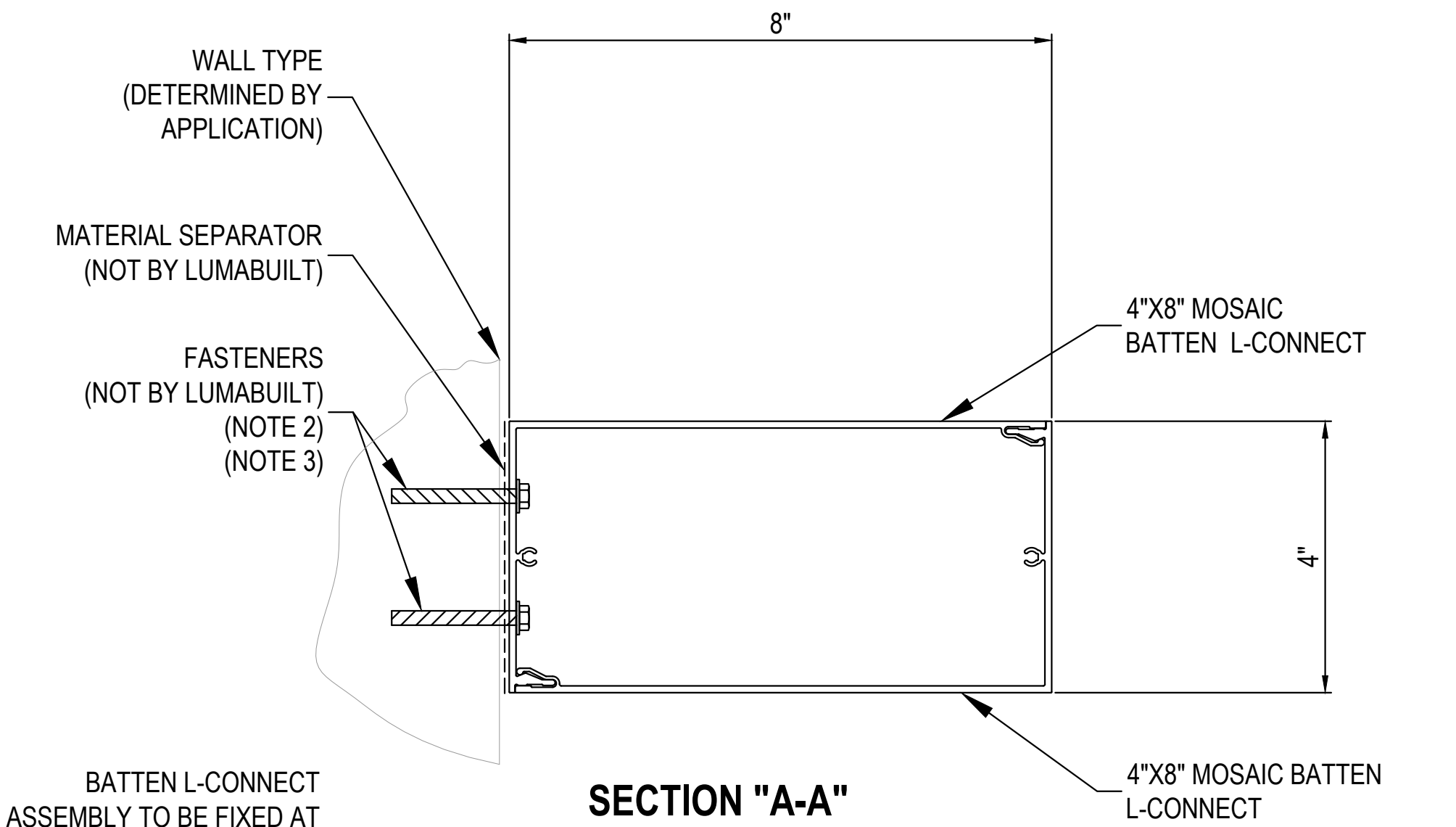
NOTES

1. BATTENS SHOWN CAN BE USED IN VERTICAL & HORIZONTAL APPLICATIONS.
2. FASTENER SIZE, TYPE AND SPACING TO BE DETERMINED BY PROJECT ENGINEER.
3. EACH FASTENER LOCATION MUST BE PRE-DRILLED THROUGH THE MOSAIC BATTEN PRIOR TO INSTALL. ALLOWANCE FOR THERMAL MOVEMENT FOR EACH APPLICATION MUST BE CONSIDERED; SEE APPENDIX A1 AND VERIFY WITH PROJECT ENGINEER.

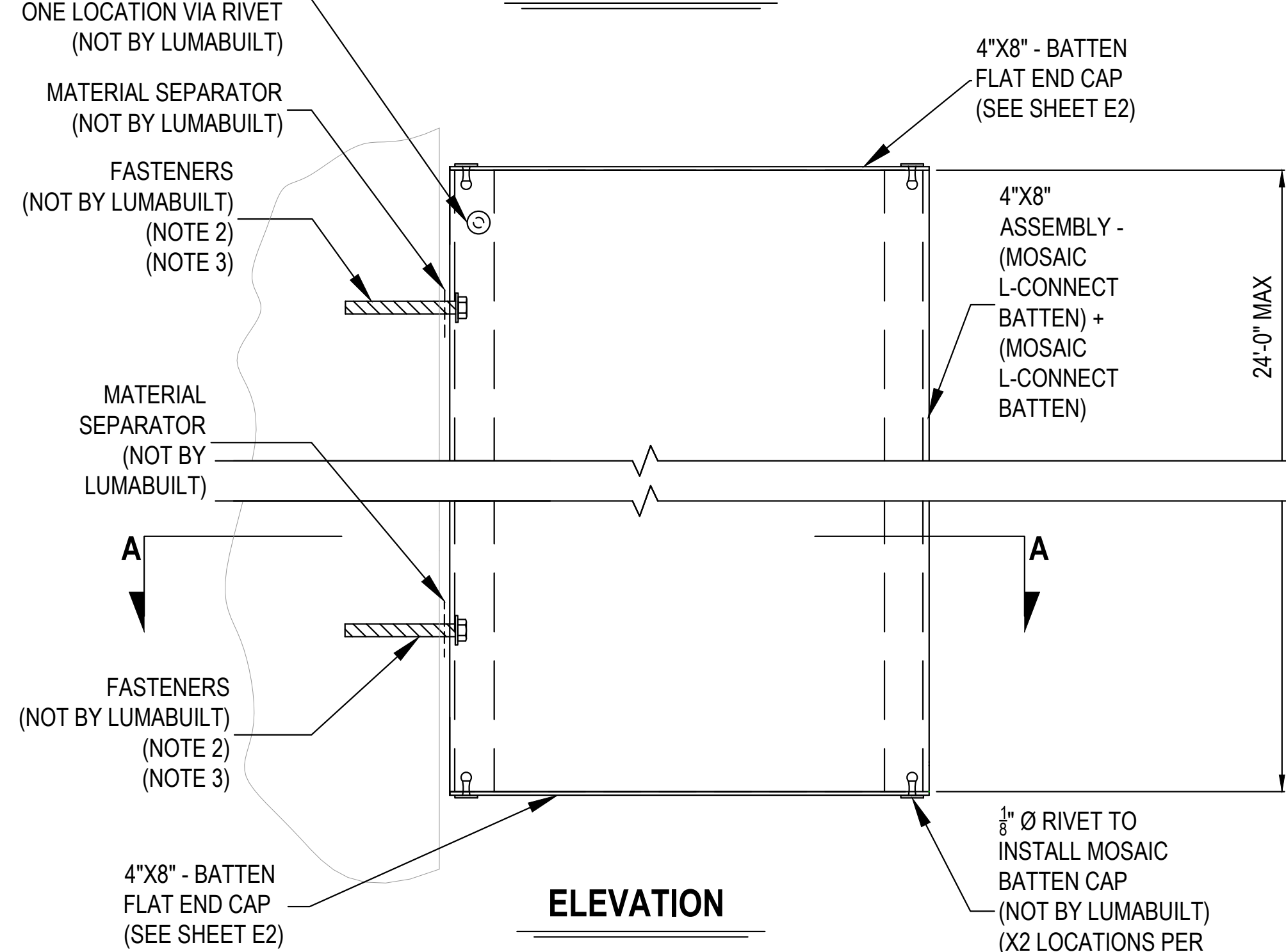


NOTES

1. BATTENS SHOWN CAN BE USED IN VERTICAL & HORIZONTAL APPLICATIONS.
2. FASTENER SIZE, TYPE AND SPACING TO BE DETERMINED BY PROJECT ENGINEER.
3. EACH FASTENER LOCATION MUST BE PRE-DRILLED THROUGH THE MOSAIC BATTEN PRIOR TO INSTALL. ALLOWANCE FOR THERMAL MOVEMENT FOR EACH APPLICATION MUST BE CONSIDERED; SEE APPENDIX A1 AND VERIFY WITH PROJECT ENGINEER.



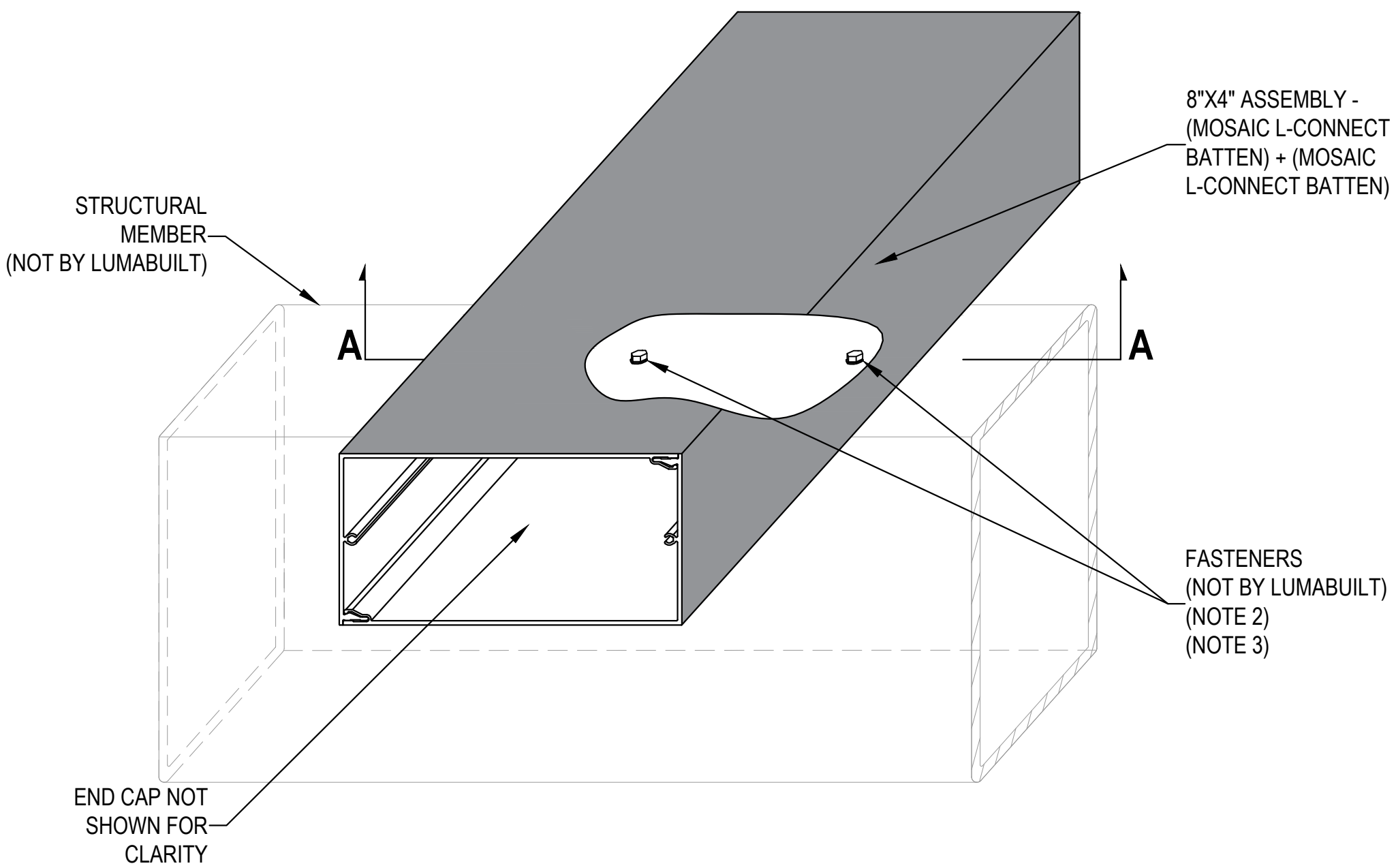
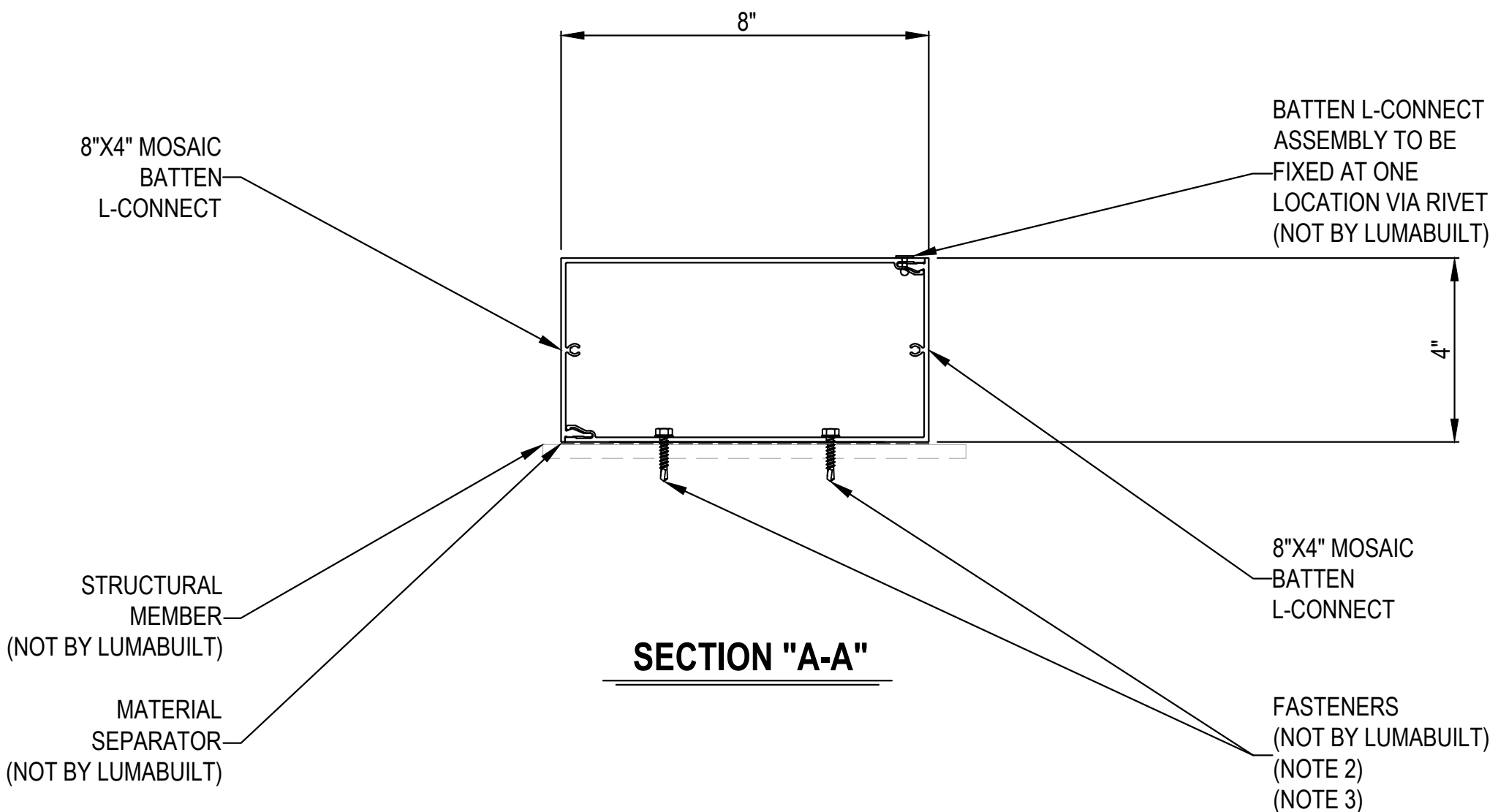
SECTION "A-A"



ELEVATION

NOTES

1. BATTENS SHOWN CAN BE USED IN VERTICAL & HORIZONTAL APPLICATIONS.
2. FASTENER SIZE, TYPE AND SPACING TO BE DETERMINED BY PROJECT ENGINEER.
3. EACH FASTENER LOCATION MUST BE PRE-DRILLED THROUGH THE MOSAIC BATTEN PRIOR TO INSTALL. ALLOWANCE FOR THERMAL MOVEMENT FOR EACH APPLICATION MUST BE CONSIDERED; SEE APPENDIX A1 AND VERIFY WITH PROJECT ENGINEER.



NOTES

1. BATTENS SHOWN CAN BE USED IN VERTICAL & HORIZONTAL APPLICATIONS.
2. FASTENER SIZE AND SPACING TO BE DETERMINED BY PROJECT ENGINEER.
3. EACH FASTENER LOCATION MUST BE PRE-DRILLED THROUGH THE MOSAIC BATTEN PRIOR TO INSTALL. ALLOWANCE FOR THERMAL MOVEMENT FOR EACH APPLICATION MUST BE CONSIDERED; SEE APPENDIX A1 AND VERIFY WITH PROJECT ENGINEER.

BATTEN L-CONNECT ASSEMBLY TO BE FIXED AT ONE LOCATION VIA RIVET (NOT BY LUMABUILT)

4"X8" MOSAIC BATTEN L-CONNECT

4"

4"X8" MOSAIC BATTEN L-CONNECT

8"

STRUCTURAL MEMBER (NOT BY LUMABUILT)

MATERIAL SEPARATOR (NOT BY LUMABUILT)

FASTENERS (NOT BY LUMABUILT) (NOTE 2) (NOTE 3)

SECTION "A-A"

4"X8" ASSEMBLY - (MOSAIC L-CONNECT BATTEN) + (MOSAIC L-CONNECT BATTEN)

STRUCTURAL MEMBER (NOT BY LUMABUILT)

A

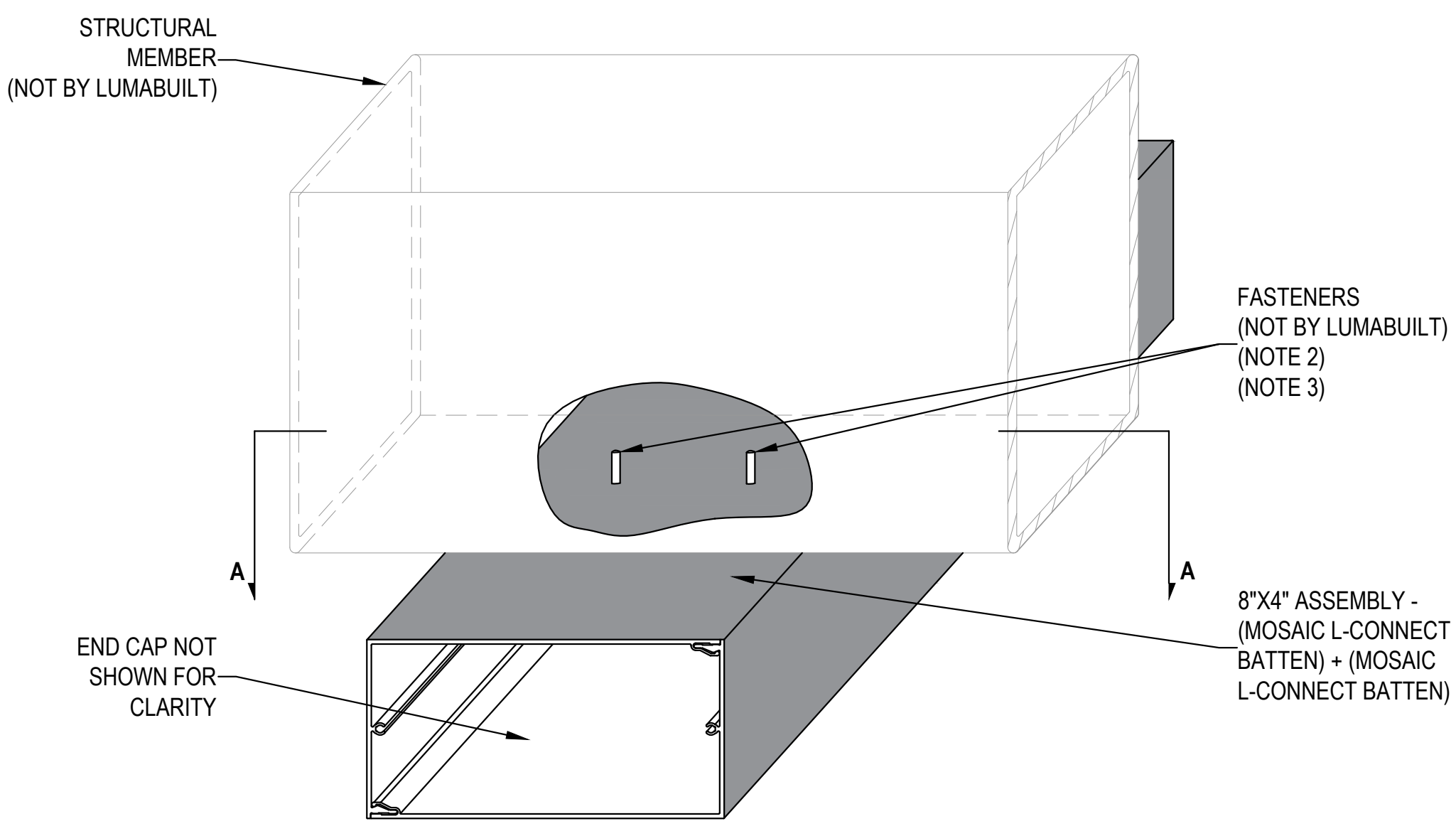
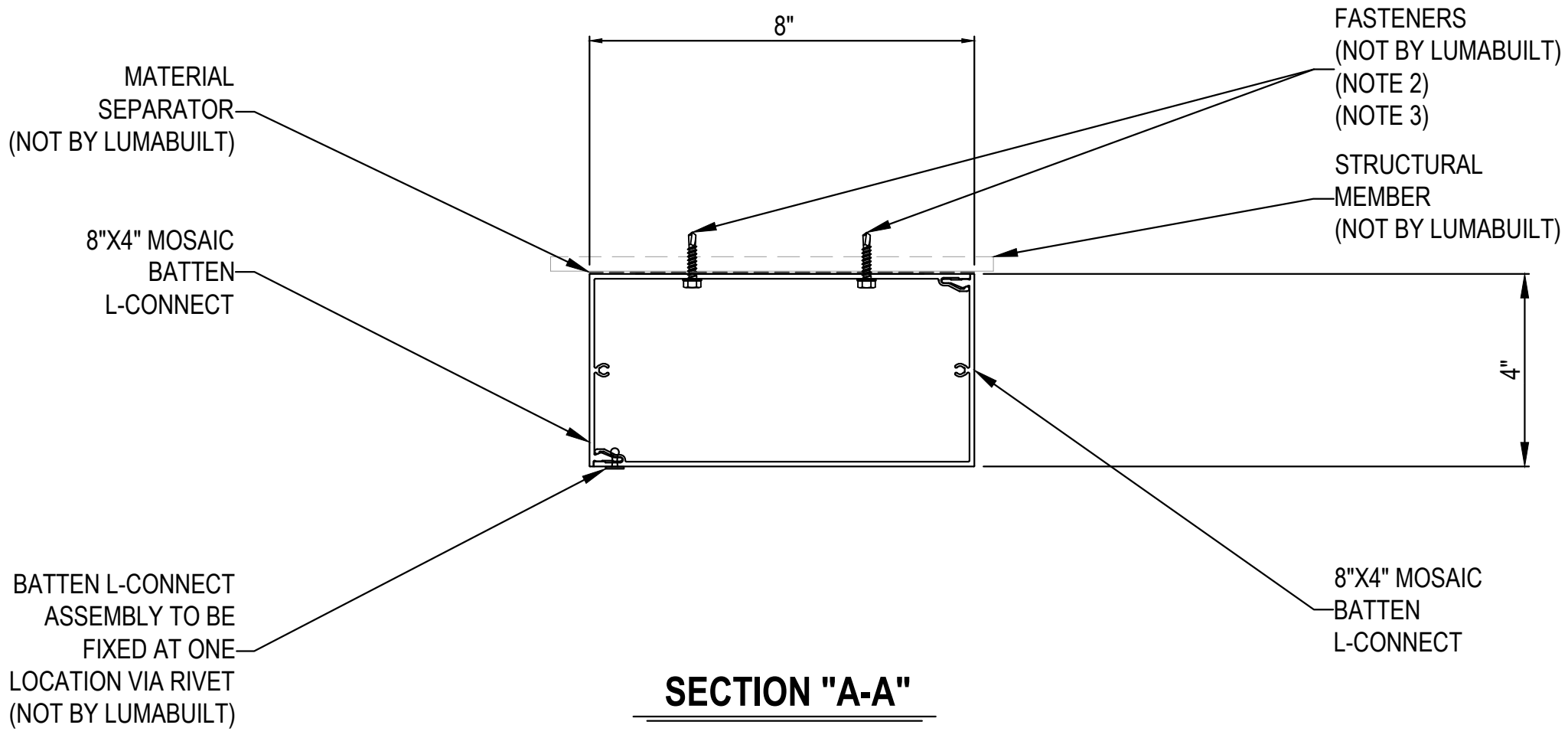
A

FASTENERS (NOT BY LUMABUILT) (NOTE 2) (NOTE 3)

END CAP NOT SHOWN FOR CLARITY

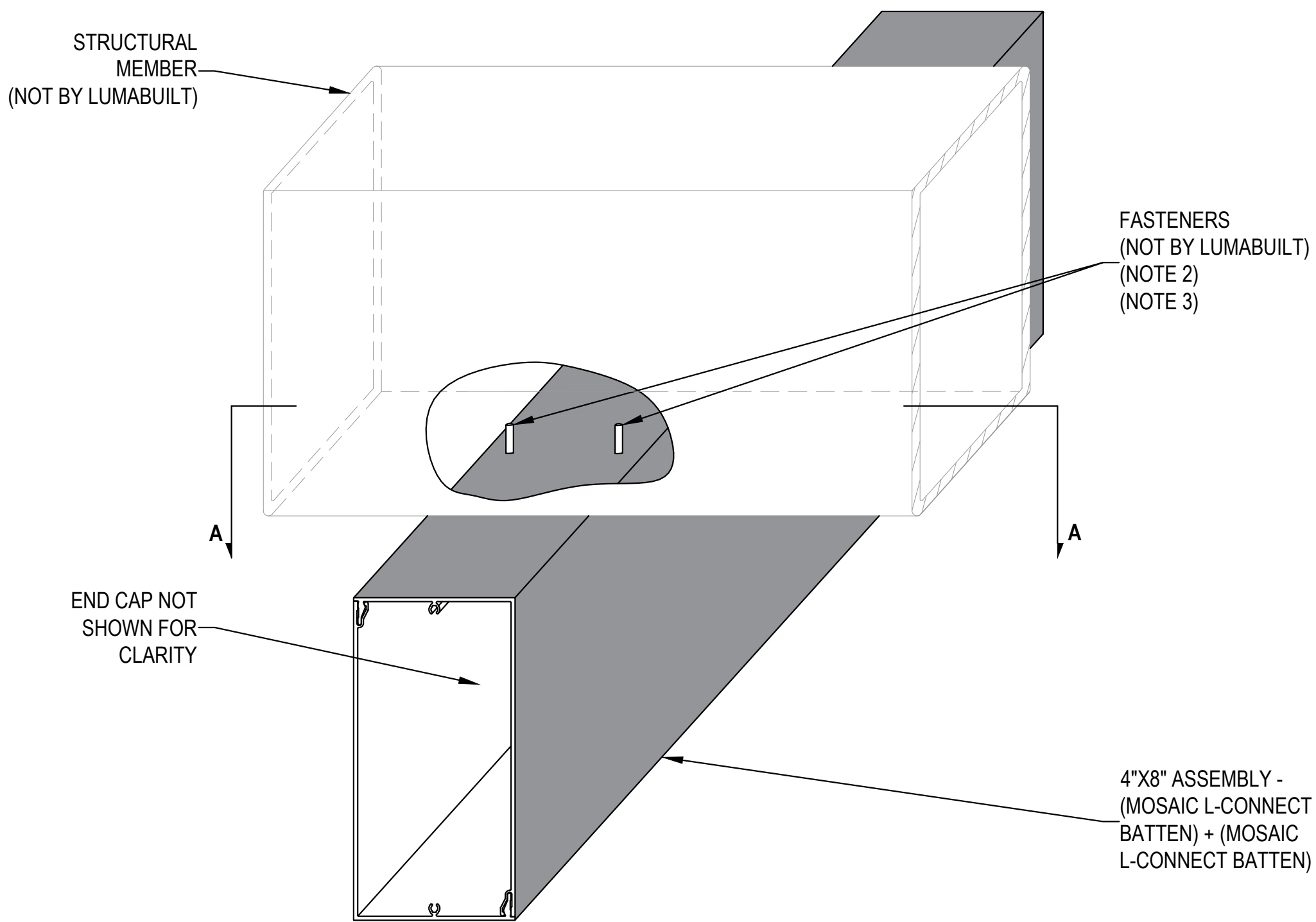
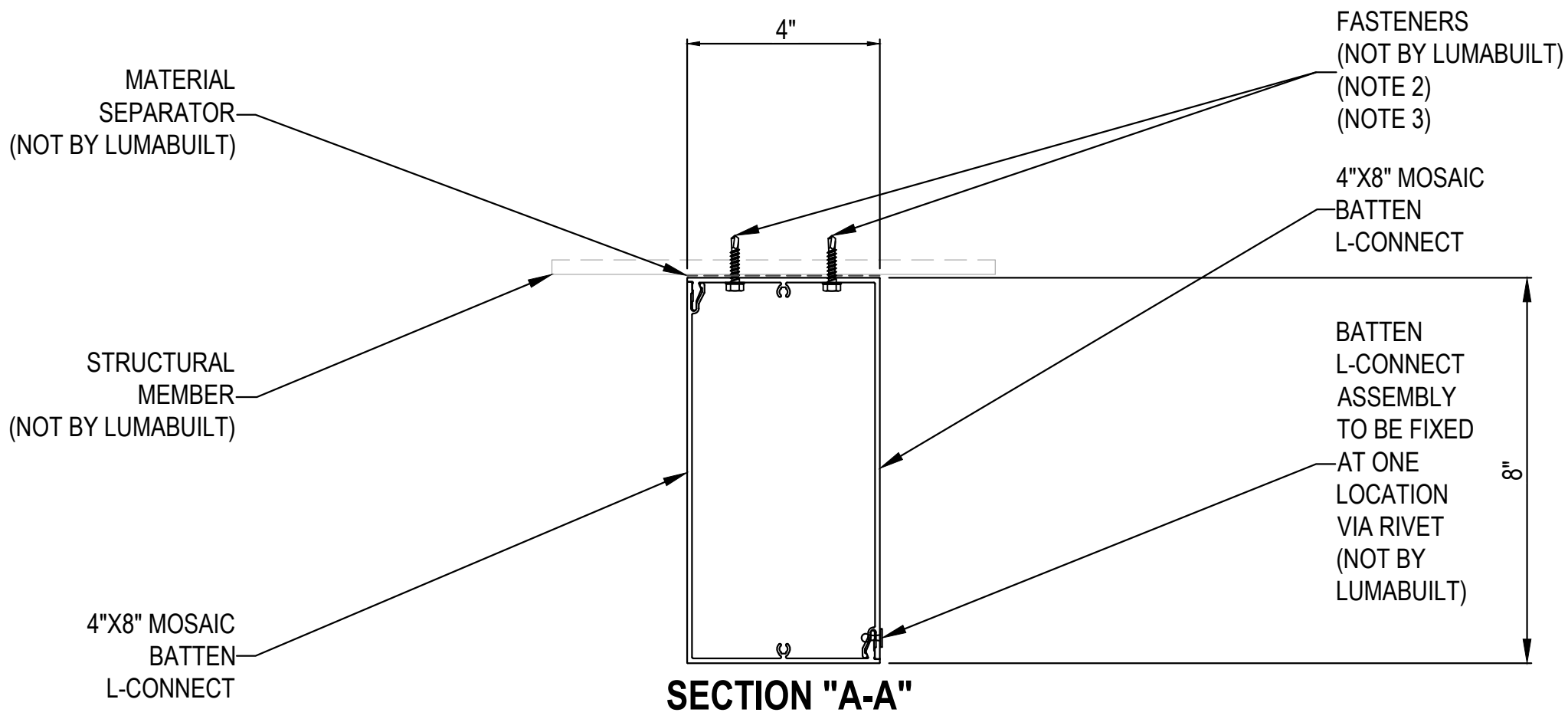
NOTES

1. BATTENS SHOWN CAN BE USED IN VERTICAL & HORIZONTAL APPLICATIONS.
2. FASTENER SIZE AND SPACING TO BE DETERMINED BY PROJECT ENGINEER.
3. EACH FASTENER LOCATION MUST BE PRE-DRILLED THROUGH THE MOSAIC BATTEN PRIOR TO INSTALL. ALLOWANCE FOR THERMAL MOVEMENT FOR EACH APPLICATION MUST BE CONSIDERED; SEE APPENDIX A1 AND VERIFY WITH PROJECT ENGINEER.



NOTES

1. BATTENS SHOWN CAN BE USED IN VERTICAL & HORIZONTAL APPLICATIONS.
2. FASTENER SIZE, TYPE AND SPACING TO BE DETERMINED BY PROJECT ENGINEER.
3. EACH FASTENER LOCATION MUST BE PRE-DRILLED THROUGH THE MOSAIC BATTEN PRIOR TO INSTALL. ALLOWANCE FOR THERMAL MOVEMENT FOR EACH APPLICATION MUST BE CONSIDERED; SEE APPENDIX A1 AND VERIFY WITH PROJECT ENGINEER.



NOTES

1. BATTENS SHOWN CAN BE USED IN VERTICAL & HORIZONTAL APPLICATIONS.
2. FASTENER SIZE, TYPE AND SPACING TO BE DETERMINED BY PROJECT ENGINEER.
3. EACH FASTENER LOCATION MUST BE PRE-DRILLED THROUGH THE MOSAIC BATTEN PRIOR TO INSTALL. ALLOWANCE FOR THERMAL MOVEMENT FOR EACH APPLICATION MUST BE CONSIDERED; SEE APPENDIX A1 AND VERIFY WITH PROJECT ENGINEER.